



# GreenSpace Surface-mounted

## SM295C LED68/840 PSU WH

GreenSpace Surface-mounted, 66 W, 6600 lm, 4000 K, High-gloss mirror, IP65 | Dust penetration-protected, jet-proof

Philips GreenSpace Surface-mounted LED Downlight delivers a superior LED alternative that's up to 66% more energy efficient than the conventional downlight retrofits. Blending seamlessly into its environment, GreenSpace Surface-mounted LED Downlight mimics the form of conventional recessed downlights minus the associated high energy and maintenance costs. Philips GreenSpace Surface-mounted LED Downlight is also ideal for all commercial lighting applications as well as public indoor space where there is limited space in the ceiling.

### Product data

General Information	
Light source replaceable	No
Number of gear units	1 unit
Driver included	Yes
Light source engine type	LED
Service tag	Yes
Value ladder	Performance
Warranty period	3 years
Light Technical	
Luminous Flux	6,600 lm
Correlated Color Temperature (Nom)	4000 K
Luminous Efficacy (rated) (Nom)	100 lm/W
Color rendering index (CRI)	>80

Light source color	840 neutral white
Optic type	High-gloss mirror
Luminaire light beam spread	60°
Operating and Electrical	
Input Voltage	220 to 240 V
Line Frequency	50 or 60 Hz
Inrush current	25 A
Inrush time	0.202 ms
Power Consumption	66 W
Power Factor (Fraction)	0.9
Number of products on MCB of 16 A type B	24
Suitable for random switching	No

## GreenSpace Surface-mounted

Protection class IEC	Safety class I
<b>Controls and Dimming</b>	
Dimmable	No
Driver/power unit/transformer	Power supply unit (On/Off)
Control interface	-
Constant light output	No
Maximum dim level	Not applicable
<b>Mechanical and Housing</b>	
Housing Material	Aluminum die cast
Reflector material	Aluminum
Optic material	Aluminum
Optical cover material	-
Housing Color	White
Optical cover finish	-
Overall length	0 mm
Overall width	0 mm
Overall height	239 mm
Overall diameter	200 mm
Dimensions (Height x Width x Depth)	239 x 0 x 0 mm
Ingress protection code	IP65 [Dust penetration-protected, jet-proof]
Mech. impact protection code	IK02 [0.2 J standard]
Optical cover type	Reflector
Net Weight (Piece)	2.199 kg

### Approval and Application

Glow-wire test	Temperature 750 °C, duration 5 s
CE mark	Yes
Ambient temperature range	-20 to +40 °C

### Initial Performance (IEC Compliant)

Luminous flux tolerance	+/-10%
Initial chromaticity	(0.38, 0.38) SDCM<5
Power consumption tolerance	+/-10%

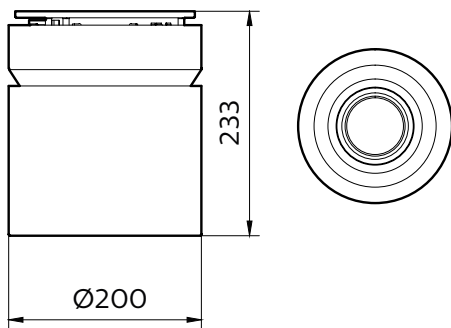
### Over Time Performance (IEC Compliant)

Driver failure rate at 5000 h	0.01 %
Median useful life L70B50	50,000 hour(s)
Median useful life L80B50	40,000 hour(s)
Median useful life L90B50	20,000 hour(s)

### Product Data

Order product name	SM295C LED68/840 PSU WH
Full product name	SM295C LED68/840 PSU WH
Full product code	911401510731
Order code	911401510731
Material Nr. (12NC)	911401510731
Numerator - Quantity Per Pack	1
Numerator - Packs per outer box	1

### Dimensional drawing



## GreenSpace Surface-mounted

