



GreenSpace Surface-mounted

SM295C LED68/830 PSU WH

GreenSpace Surface-mounted, 66 W, 6600 lm, 3000 K, High-gloss mirror, IP65 | Dust penetration-protected, jet-proof

Philips GreenSpace Surface-mounted LED Downlight delivers a superior LED alternative that's up to 66% more energy efficient than the conventional downlight retrofits. Blending seamlessly into its environment, GreenSpace Surface-mounted LED Downlight mimics the form of conventional recessed downlights minus the associated high energy and maintenance costs. Philips GreenSpace Surface-mounted LED Downlight is also ideal for all commercial lighting applications as well as public indoor space where there is limited space in the ceiling.

Product data

| General Information | | Light source color | |
|------------------------------------|-------------|--|-------------------|
| Light source replaceable | No | | 830 warm white |
| Number of gear units | 1 unit | Optic type | High-gloss mirror |
| Driver included | Yes | Luminaire light beam spread | 60° |
| Light source engine type | LED | Operating and Electrical | |
| Service tag | Yes | Input Voltage | 220 to 240 V |
| Value ladder | Performance | Line Frequency | 50 or 60 Hz |
| Warranty period | 3 years | Inrush current | 25 A |
| | | Inrush time | 0.202 ms |
| | | Power Consumption | 66 W |
| | | Power Factor (Fraction) | 0.9 |
| | | Number of products on MCB of 16 A type B | 24 |
| | | Suitable for random switching | No |
| Light Technical | | | |
| Luminous Flux | 6,600 lm | | |
| Correlated Color Temperature (Nom) | 3000 K | | |
| Luminous Efficacy (rated) (Nom) | 100 lm/W | | |
| Color rendering index (CRI) | >80 | | |

GreenSpace Surface-mounted

| | |
|-------------------------------------|--|
| Protection class IEC | Safety class I |
| Controls and Dimming | |
| Dimmable | No |
| Driver/power unit/transformer | Power supply unit (On/Off) |
| Control interface | - |
| Constant light output | No |
| Maximum dim level | Not applicable |
| Mechanical and Housing | |
| Housing Material | Aluminum die cast |
| Reflector material | Aluminum |
| Optic material | Aluminum |
| Optical cover material | - |
| Housing Color | White |
| Optical cover finish | - |
| Overall length | 0 mm |
| Overall width | 0 mm |
| Overall height | 239 mm |
| Overall diameter | 200 mm |
| Dimensions (Height x Width x Depth) | 239 x 0 x 0 mm |
| Ingress protection code | IP65 [Dust penetration-protected, jet-proof] |
| Mech. impact protection code | IK02 [0.2 J standard] |
| Optical cover type | Reflector |
| Net Weight (Piece) | 2.199 kg |

Approval and Application

| | |
|---------------------------|----------------------------------|
| Glow-wire test | Temperature 750 °C, duration 5 s |
| CE mark | Yes |
| Ambient temperature range | -20 to +40 °C |

Initial Performance (IEC Compliant)

| | |
|-----------------------------|---------------------|
| Luminous flux tolerance | +/-10% |
| Initial chromaticity | (0.44, 0.40) SDCM<5 |
| Power consumption tolerance | +/-10% |

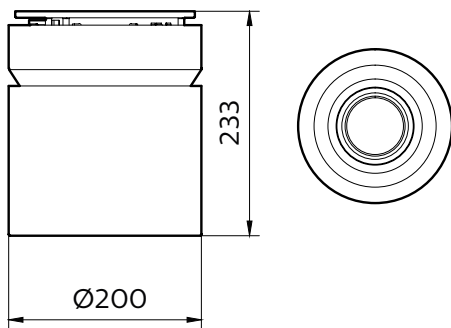
Over Time Performance (IEC Compliant)

| | |
|-------------------------------|----------------|
| Driver failure rate at 5000 h | 0.01 % |
| Median useful life L70B50 | 50,000 hour(s) |
| Median useful life L80B50 | 40,000 hour(s) |
| Median useful life L90B50 | 20,000 hour(s) |

Product Data

| | |
|---------------------------------|-------------------------|
| Order product name | SM295C LED68/830 PSU WH |
| Full product name | SM295C LED68/830 PSU WH |
| Full product code | 000911401510631 |
| Order code | 911401510631 |
| Material Nr. (12NC) | 911401510631 |
| Numerator - Quantity Per Pack | 1 |
| Numerator - Packs per outer box | 1 |

Dimensional drawing



GreenSpace Surface-mounted

