



GreenSpace Surface-mounted

SM293C LED20/830 PSU WH

LED, 19 W, Power supply unit (On/Off), High-gloss mirror, Reflector, 90°

Philips GreenSpace Surface-mounted LED Downlight delivers a superior LED alternative that's up to 66% more energy efficient than the conventional downlight retrofits. Blending seamlessly into its environment, GreenSpace Surface-mounted LED Downlight mimics the form of conventional recessed downlights minus the associated high energy and maintenance costs. Philips GreenSpace Surface-mounted LED Downlight is also ideal for all commercial lighting applications as well as public indoor space where there is limited space in the ceiling.

Product data

| General Information | |
|------------------------------------|-------------|
| Light source replaceable | No |
| Number of gear units | 1 unit |
| Driver included | Yes |
| Light source engine type | LED |
| Service tag | Yes |
| Value ladder | Performance |
| Warranty period | 3 years |
| Light Technical | |
| Luminous Flux | 2,000 lm |
| Correlated Color Temperature (Nom) | 3000 K |
| Luminous Efficacy (rated) (Nom) | 105 lm/W |
| Color rendering index (CRI) | >80 |

| Light source color | 830 warm white |
|--|-------------------|
| Optic type | High-gloss mirror |
| Luminaire light beam spread | 90° |
| Operating and Electrical | |
| Input Voltage | 220 to 240 V |
| Line Frequency | 50 or 60 Hz |
| Inrush current | 11 A |
| Inrush time | 0.028 ms |
| Power Consumption | 19 W |
| Power Factor (Fraction) | 0.9 |
| Number of products on MCB of 16 A type B | 15 |
| Suitable for random switching | No |

GreenSpace Surface-mounted

| | |
|----------------------|----------------|
| Protection class IEC | Safety class I |
|----------------------|----------------|

Controls and Dimming

| | |
|-------------------------------|----------------------------|
| Dimmable | No |
| Driver/power unit/transformer | Power supply unit (On/Off) |
| Control interface | - |
| Constant light output | No |

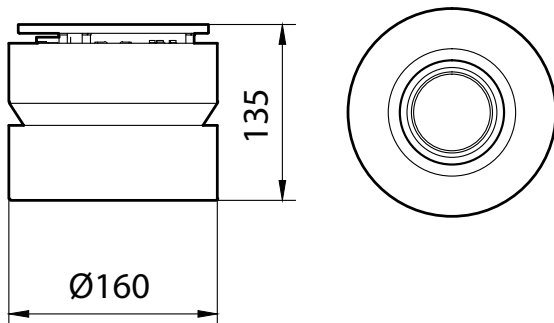
Mechanical and Housing

| | |
|-------------------------------------|-------------------------|
| Housing Material | Aluminum die cast |
| Reflector material | Aluminum |
| Optic material | Aluminum |
| Optical cover material | - |
| Housing Color | White |
| Optical cover finish | - |
| Overall length | 0 mm |
| Overall width | 0 mm |
| Overall height | 135 mm |
| Overall diameter | 160 mm |
| Dimensions (Height x Width x Depth) | 135 x 0 x 0 mm |
| Ingress protection code | IP20 [Finger-protected] |
| Mech. impact protection code | IK02 [0.2 J standard] |
| Optical cover type | Reflector |
| Net Weight (Piece) | 0.600 kg |

Approval and Application

| | |
|----------------|----------------------------------|
| Glow-wire test | Temperature 750 °C, duration 5 s |
|----------------|----------------------------------|

Dimensional drawing



| | |
|---------------------------|---------------|
| CE mark | Yes |
| Ambient temperature range | -20 to +40 °C |

Initial Performance (IEC Compliant)

| | |
|-----------------------------|----------------------|
| Luminous flux tolerance | +/-10% |
| Initial chromaticity | (0.44, 0.40) SDCM <5 |
| Power consumption tolerance | +/-10% |

Over Time Performance (IEC Compliant)

| | |
|-------------------------------|----------------|
| Driver failure rate at 5000 h | 1.00 % |
| Median useful life L70B50 | 50,000 hour(s) |
| Median useful life L80B50 | 40,000 hour(s) |
| Median useful life L90B50 | 20,000 hour(s) |

Product Data

| | |
|---------------------------------|-------------------------|
| Order product name | SM293C LED20/830 PSU WH |
| Full product name | SM293C LED20/830 PSU WH |
| Full product code | 911401509431 |
| Order code | 01509431 |
| Material Nr. (12NC) | 911401509431 |
| Numerator - Quantity Per Pack | 1 |
| Numerator - Packs per outer box | 1 |

GreenSpace Surface-mounted

