



# GreenSpace G6

## DN391X LED7/9TNW P7PSD D100 AL WP G2

GreenSpace G6, 7 W, 750 lm, Tunable white 2700–6500 K, DALI, Facetted reflector, Matte, IP54 | Dust accumulation-protected, splash-proof

Philips GreenSpace G6 builds on the GreenSpace family’s reputation for superb performance, extremely low energy use, and high visual comfort. This next generation of reliable LED downlights comes in a highly-compact design with a deep, recessed architecture and increased reflector depth to highlight the smallest of details. GreenSpace G6 is also a shining example of versatility. This energy-saving LED downlight is available in a comprehensive range of configurations from 600 to 3,550 lumen, with the option to choose fixed, dimmable, or Interact Ready variants. This makes GreenSpace G6 the perfect ‘mix and match’ solution for potentially broad and extended applications that require different lighting ambiances, with one cohesive luminaire look and feel.

### Product data

| General Information                |                           | Operating and Electrical    |                    |
|------------------------------------|---------------------------|-----------------------------|--------------------|
| Number of gear units               | 1 unit                    | Number of light sources     | 20                 |
| Gear                               | -                         | Beam angle of light source  | - degree(s)        |
| Driver included                    | Yes                       | Light source color          | Tunable white      |
| Light source engine type           | LED                       | Optic type                  | Facetted reflector |
| Value ladder                       | Performance               | Luminaire light beam spread | 60°                |
|                                    |                           | Unified glare rating CEN    | 19                 |
| Light Technical                    |                           |                             |                    |
| Luminous Flux                      | 750 lm                    | Input Voltage               | 220 to 240 V       |
| Correlated Color Temperature (Nom) | Tunable white 2700-6500 K | Line Frequency              | 50 or 60 Hz        |
| Luminous Efficacy (rated) (Nom)    | 110 lm/W                  | Inrush current              | 4.69 A             |
| Color rendering index (CRI)        | ≥90                       | Power Consumption           | 7 W                |

## GreenSpace G6

|  |                          |
|--|--------------------------|
| Power Factor (Fraction)                  | 0.8                      |
| Connection                               | Flying leads/wires       |
| Cable                                    | Cable 0.2 m without plug |
| Number of products on MCB of 16 A type B | 84                       |
| Suitable for random switching            | Yes                      |
| Protection class IEC                     | Safety class II          |

### Controls and Dimming

|                   |      |
|-------------------|------|
| Dimmable          | DALI |
| Control interface | DALI |
| Maximum dim level | 1%   |

### Mechanical and Housing

|                              |  |
|------------------------------|--|
| Housing Material             | Aluminum die-cast                                |
| Reflector material           | Polycarbonate                                    |
| Optic material               | Polycarbonate                                    |
| Optical cover material       | Polycarbonate                                    |
| Housing Color                | Black  |
| Mounting device              | Frame for recessed mounting                      |
| Optical cover finish         | Matte  |
| Overall height               | 68 mm  |
| Overall diameter             | 120 mm   |
| Ingress protection code      | IP54 [Dust accumulation-protected, splash-proof] |
| Mech. impact protection code | IK03 [0.35 J reinforced]                         |
| Optical cover type           | Polycarbonate Diffuser                           |
| Net Weight (Piece)           | 0.440 kg   |

### Approval and Application

|                                    |  |
|------------------------------------|--|
| Glow-wire test                     | Temperature 650 °C, duration 5 s               |
| CE mark                            | Yes  |
| ENEC mark                          | -  |
| Photobiological risk               | Photobiological risk group 1 @200mm to EN62778 |
| EU RoHS compliant                  | Yes  |
| Performance ambient temperature Tq | 25 °C  |
| Ambient temperature range          | -20 to +40 °C                                  |

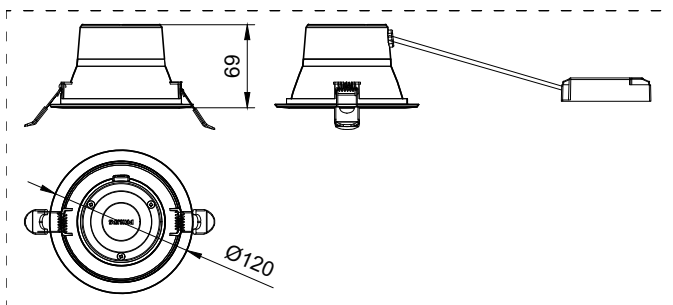
### Initial Performance (IEC Compliant)

|                             |        |
|-----------------------------|--------|
| Luminous flux tolerance     | +/-10% |
| Initial chromaticity        | SDCM5  |
| Power consumption tolerance | +/-10% |

### Product Data

|                                 |                                      |
|---------------------------------|--------------------------------------|
| Order product name              | DN391X LED7/9TNW P7PSD D100 AL WP G2 |
| Full product name               | DN391X LED7/9TNW P7PSD D100 AL WP G2 |
| Order code                      | 911401503745                         |
| Material Nr. (12NC)             | 911401503745                         |
| Numerator - Quantity Per Pack   | 1                                    |
| Numerator - Packs per outer box | 1                                    |

### Dimensional drawing



## GreenSpace G6

