



Luma gen2

BGP703 LED120-4S/740 II DM32 MSP CLO SRT

Luma gen2, Road & street light, 71 W, 10465 lm, 4000 K, CRI70, Internal (no external connection), Distribution medium 32, Safety class II, IP66, MSP, SRG6-10

The Luma family is designed to deliver flexible, highly efficient, and sustainable lighting that adapts to the dynamic needs of every city. Luma gen2 preserves the distinctive design characteristics of the first generation while adding the benefits of the latest technology, including a future-proof System Ready architecture, a new LEDgene performance extension, and an optical platform that ensures best-in-class lighting performance in a broad range of applications. Luma gen2 also offers improved serviceability. Installation is easy and fast, and Service tag gives you access to all relevant specs and product documentation onsite. The cable feed-through offers easy, top-down, tool-less access to the luminaire's gear components. Because Luma gen2 is System Ready, you can pair it with connected lighting management systems such as Interact, or with existing and future sensor innovations. Luma gen2 has been developed to optimize and simplify repairs and maintenance with a plug-and-play GearFlex module containing all electrical components in an easy-to-handle and accessible box inside the housing. Because sustainability is our focus, the GearFlex module uses post-industrial recycled material. The white frame around the LED engine uses post-industrial recycled material, and our product packaging minimizes plastic waste. The product can be disassembled in only a few steps at end of life. As a company conscious of the impact of light on the environment and biodiversity, we equipped Luma gen2 luminaires with dedicated light recipes that help to protect ecosystems for bats and preserve the dark night sky.

Product data

Luma gen2

General Information	
Lamp family code	LED120 [LED module 12000 lm]
Light source replaceable	Yes
Number of gear units	1 unit
Driver included	Yes
Light source engine type	LED
Service tag	Yes
Lighting Technology	LED
Value ladder	Specification
Serviceability class	Class A, luminaire is equipped with serviceable parts (when applicable): LED board, driver, control units, surge protection device, optics, front cover and mechanical parts
Warranty period	5 years
Sustainability rating	Signify Circle

Light Technical	
Upward light output ratio	0
Luminous Flux	10,465 lm
Correlated Color Temperature (Nom)	4000 K
Luminous Efficacy (rated) (Nom)	147 lm/W
Color rendering index (CRI)	70
Light source color	740 neutral white
Luminaire light beam spread	65° x 39°
Optic type outdoor	Distribution medium 32
Effective projected area	0.0998 m ²

Sustainability Data	
Product non-virgin material ratio	51.9 %
GWP total B6 (kg CO2eq) Declared Unit	Please calculate using your local energy mix value: Power Declared Unit (kW) * Service life (hrs) Declared Unit * Energy mix (kg CO2eq / kwh)
GWP total B6 (kg CO2eq) Functional Unit	Please calculate using your local energy mix value: Power Declared Unit (kW) * 1000 (lm) / lumen output (lm) Declared Unit * 35000 (hrs) * Energy mix (kg CO2 eq / kwh)

Operating and Electrical	
Input Voltage	220 to 240 V
Line Frequency	50 to 60 Hz
Initial CLO power consumption	71 W
Average CLO power consumption	72 W
End CLO power consumption	73 W
Inrush current	4 A
Inrush time	2.7 ms
Power Consumption	71 W
Power Factor (Fraction)	0.97
Connection	Flying leads/wires
Cable	Cable 10 m without plug
Number of products on MCB of 16 A type B	21

Protection class IEC	Safety class II
Surge Protection (Common/Differential)	Surge protection level until 10 kV differential mode

Controls and Dimming	
Dimmable	No
Driver/power unit/transformer	Power supply unit with DALI and SystemReady interface
Control interface	Internal (no external connection)
Constant light output	Yes
Maximum dim level	Not applicable
Embedded control	Constant light output

Mechanical and Housing	
Housing Material	Aluminum die cast
Reflector material	-
Optic material	Polymethyl methacrylate
Optical cover material	Glass
Fixation material	Aluminum
Housing Color	Gray
Mounting device	Post-top for diameter 60 mm
Optical cover shape	Flat
Optical cover finish	Clear
Overall length	652 mm
Overall width	295 mm
Overall height	245 mm
Dimensions (Height x Width x Depth)	245 x 295 x 652 mm
Ingress protection code	IP66 [Dust penetration-protected, jet-proof]
Mech. impact protection code	IK09 [10 J]
Standard tilt angle posttop	0°
Standard tilt angle side entry	-
Optical cover type	Glass
Net Weight (Piece)	12.756 kg

Approval and Application	
Flammability mark	-
CE mark	Yes
ENEC mark	ENEC plus mark
EU RoHS compliant	Yes
Performance ambient temperature Tq	25 °C
Remarks	* At extreme ambient temperatures the luminaire might automatically dim down to protect components
Ambient temperature range	-40 to +50 °C

Initial Performance (IEC Compliant)	
Luminous flux tolerance	+/-7%
Initial chromaticity	(0.382, 0.380) SDCM 5
Power consumption tolerance	+/-10%
Init. Color Rendering Index Tolerance	+/-2

Luma gen2

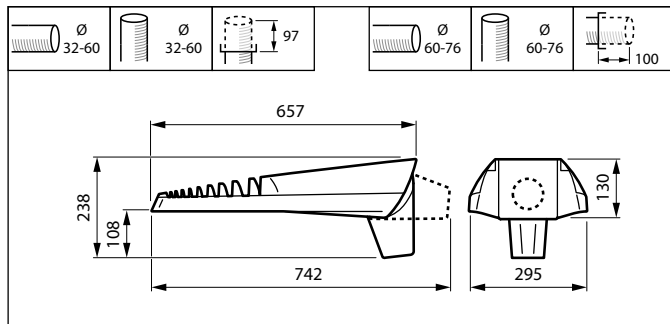
Standard Deviation of Colour Matching (McAdam ellipse)	SDCM≤5
Over Time Performance (IEC Compliant)	
Driver failure rate at 5000 h	0.005 %
Control gear failure rate at median useful life 50000 h	5 %
Control gear failure rate at median useful life 100000 h	10 %
Lumen maintenance (EN-IEC 62722-2-1) at median useful life* 50000 h	L100
Lumen maintenance (EN-IEC 62722-2-1) at median useful life* 100000 h	L100

Product Data

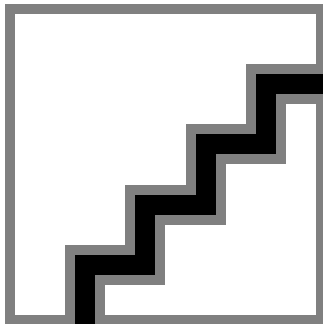
Order product name	BGP703 LED120-4S/740 II DM32 MSP CLO SRT
--------------------	--

Full product name	BGP703 LED120-4S/740 II DM32 MSP CLO SRT
Full product code	871951412574200
Order code	910925867791
Material Nr. (12NC)	910925867791
Numerator - Quantity Per Pack	1
EAN/UPC - Product/Case	8719514125742
Numerator - Packs per outer box	1
EAN/UPC - Case	8719514125742
Product family code	BGP703 [LUMA GEN2 MINI]

Dimensional drawing



Photometric data



Polar Normal (separate) - BGP703I - 910925867791

Luma gen2

