



# FlexBlend, Suspended

## SP342P 52S/940 DEIA MLO SMT L120 WH

FlexBlend, Suspended, 48.5 W, 1200x200 mm; H73 mm, SMT, 5200 lm, 4000 K, CRI>90, DALI, UGR19

Philips FlexBlend is an attractive family of surface mounted and suspended luminaires, next to Flexblend recessed. The luminaire range is enabling building owners to advance their lighting operations, by offering office-compliant lighting with a return on investment of less than 3 to 4 years. FlexBlend provides the required flexibility through the adaptability in design. This gives the possibility to install the luminaires easily in the field, at any moment. Even when today's luminaire is suspended, tomorrow this can be adapted to a surface mounted installation at the venue. And the other way around. The surface mounted and suspended luminaire range fit to many different office spaces like open plan office, corridors, reception or meeting rooms. FlexBlend is offered in both lines and as standalone, using the same lighting module. This gives the option to the users to use FlexBlend as standalone now, and tomorrow, as line. The controller is integrated in the luminaire. As technology is changing fast, the ideal lighting solution is also expected to be ready to incorporate innovations that can help optimize operations further. For this reason, FlexBlend holds all connectivity and future ready options available. As System Ready luminaire it can be paired with lighting management systems such as the Philips SpaceWise, and to software-based lighting systems as Interact Office wired (PoE) and Interact Office wireless and/or existing and upcoming sensor innovations. The luminaire range is therefore future ready and can be delivered without any system component, and in a next phase, in the field to be upgraded. An attractive opportunity for new installations and renovations.

### Warnings and Safety

- The product is IPX0 & as such is not protected against water ingress & as such we strongly recommend that the environment in which the luminaire is to be installed is suitably checked
- If the above advice is not taken and the luminaires are subject to water ingress, Philips / Signify cannot guarantee safe failure & product warranty will become void

# FlexBlend, Suspended

## Product data

General Information	
Light source replaceable	No
Number of gear units	1 unit
Driver included	Yes
Service tag	Yes
Lighting Technology	LED
Value ladder	Performance
Warranty period	5 years

Light Technical	
Luminous Flux	5,200 lm
Saturated Red (R9)	>50
Correlated Color Temperature (Nom)	4000 K
Luminous Efficacy (rated) (Nom)	108 lm/W
Color rendering index (CRI)	>90
Beam angle of light source	120 degree(s)
Light source color	940 neutral white
Optic type	Wide beam
Luminaire light beam spread	82° x 85°
Unified glare rating CEN	19

Operating and Electrical	
Input Voltage	220 to 240 V
Line Frequency	50 to 60 Hz
Initial CLO power consumption	- W
Average CLO power consumption	- W
Inrush current	25.1 A
Inrush time	0.214 ms
Power Consumption	48.5 W
Power Factor (Fraction)	0.9
Connection	Push-in connector 5-pole
Cable	Cable 2.2 m (Eca class) without plug 5-pole
Number of products on MCB of 16 A type B	15
Suitable for random switching	Yes (relates to presence/ movement detection and daylight harvesting)
Protection class IEC	Safety class I

Controls and Dimming	
Dimmable	Yes
Driver/power unit/transformer	Power supply unit with DALI interface
Control interface	DALI
Constant light output	No
DALI Standard	DALI-2™
Maximum dim level	1%

Mechanical and Housing	
Housing Material	Steel
Reflector material	Polycarbonate
Optic material	Polycarbonate
Optical cover material	Polymethyl methacrylate

Fixation material	Stainless steel
Housing Color	White
Optical cover finish	Textured
Overall length	1,200 mm
Overall width	200 mm
Overall height	73 mm
Dimensions (Height x Width x Depth)	73 x 200 x 1200 mm
Ingress protection code	IP20 [Finger-protected]
Mech. impact protection code	IK02 [0.2 J standard]
Mounting	Suspension set twin, triangle
Net Weight (Piece)	4.414 kg

Approval and Application	
Glow-wire test	Temperature 650 °C, duration 30 s
Flammability mark	For mounting on normally flammable surfaces
CE mark	Yes
ENEC mark	ENEC plus mark
Photobiological risk	Photobiological risk group 0 @200mm to EN62778
EU RoHS compliant	Yes
Performance ambient temperature Tq	25 °C
Flickering value (PstLM) - Flickering value as per EN 61000-3-3	1
Stroboscopic effect visibility measure (SVM)	0.4
Ambient temperature range	+10 to +40 °C

Initial Performance (IEC Compliant)	
Luminous flux tolerance	+/-10%
Initial chromaticity	(0.38, 0.38) SDCM <3
Power consumption tolerance	+/-10%
Standard Deviation of Colour Matching (McAdam ellipse)	SDCM≤3

Over Time Performance (IEC Compliant)	
Control gear failure rate at median useful life 50000 h	5 %
Lumen maintenance (EN-IEC 62722-2-1) at median useful life* 50000 h	L85
Lumen maintenance (EN-IEC 62722-2-1) at median useful life* 100000 h	L75

Sustainability Data	
Sustainability rating	Unclassified
Repair class	Repair Class C, the driver of this luminaire can be replaced by a service technician. Special care is required during disassembly and reassembly, and specific tools may be

## FlexBlend, Suspended

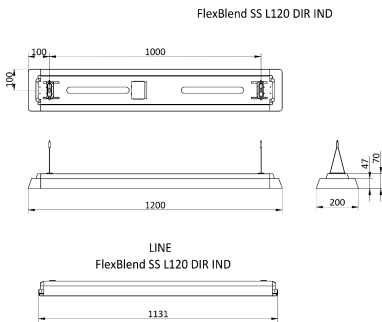
required. Parts and documentation are available for a period of time.

Numerator - Quantity Per Pack	1
EAN/UPC - Product/Case	8719514103948
Numerator - Packs per outer box	1
EAN/UPC - Case	8719514103948
Product family code	SP342P [FLEXBLEND SUSPENDE D/I STAND-ALONE]

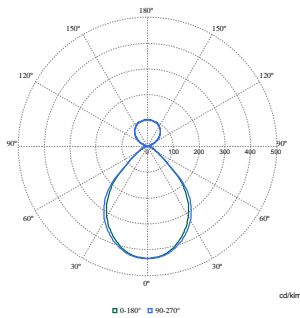
### Product Data

Order product name	SP342P 52S/940 DEIA MLO SMT L120 WH
Full product name	SP342P 52S/940 DEIA MLO SMT L120 WH
Full product code	871951410394800
Order code	910925867133
Material Nr. (12NC)	910925867133

### Dimensional drawing



### Photometric data



Polar Normal (separate) - SM340CI - 910925867133

