



UniStreet gen2

BGP283 LED200-4S/740 I DX10 ALU 48/60S

UniStreet gen2, Road & street light, 112 W, 17000 lm, 4000 K, CRI70, Distribution extra wide 10, Safety class I, IP66

Designed for ledification projects, the UniStreet gen2 is the ideal 1:1 luminaire replacement for municipalities. Thanks to its high efficiency and low initial cost, the UniStreet gen2 luminaire enables a fast payback and significant savings in terms of energy consumption within a short period of time. The ease of installation and maintenance is enabled by the Philips Service tag and the Philips SR (System Ready) Zhaga socket(s) makes it future-ready, and you can pair this luminaire with lighting control or sensors and software applications such as Interact City. Available with a significant number of different optics and lumen packages that can even be tuned further to fit exact project requirements, UniStreet gen2 is a true point-to-point replacement solution for conventional or generation 1 LED light sources. The compact luminaire, using high-quality materials is also easy to dismantle and recycle at the end of its lifetime.

Product data

General Information	
Lamp family code	LED200 [LED module 20000 lm]
Light source replaceable	Yes
Number of gear units	1 unit
Driver included	Yes
Light source engine type	LED
Service tag	Yes
Lighting Technology	LED
Value ladder	Specification
Warranty period	5 years

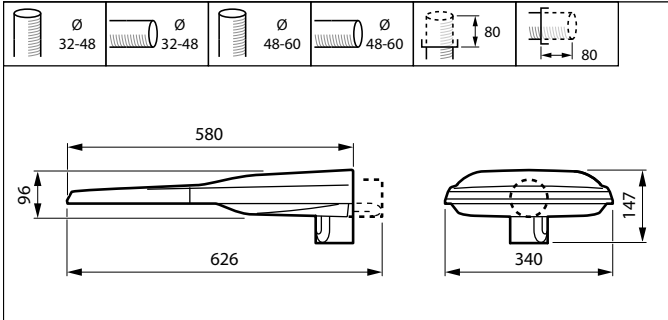
Light Technical	
Upward light output ratio	0
Luminous Flux	17,000 lm
Correlated Color Temperature (Nom)	4000 K
Luminous Efficacy (rated) (Nom)	152 lm/W
Color rendering index (CRI)	70
Light source color	740 neutral white
Luminaire light beam spread	150° - 43° x 67°
Optic type outdoor	Distribution extra wide 10
Effective projected area	0.0246 m ²

UniStreet gen2

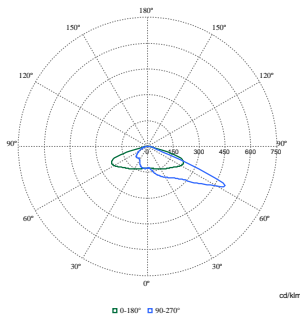
Operating and Electrical	
Input Voltage	220 to 240 V
Line Frequency	50 to 60 Hz
Inrush current	53 A
Inrush time	0.3 ms
Power Consumption	112 W
Power Factor (Fraction)	0.99
Connection	2 Push-in connector 5-pole
Cable	-
Number of products on MCB of 16 A type B	8
Controls and Dimming	
Dimmable	No
Driver/power unit/transformer	Power supply unit regulating
Control interface	-
Constant light output	No
Maximum dim level	0% (digital)
Mechanical and Housing	
Housing Material	Aluminum die cast
Reflector material	Polycarbonate
Optic material	Polymethyl methacrylate
Optical cover material	Glass
Fixation material	Aluminum
Housing Color	Gray
Mounting device	Side-entry for diameter 48 to 60 mm
Optical cover shape	Flat
Optical cover finish	Clear
Overall length	626 mm
Overall width	340 mm
Overall height	95 mm
Dimensions (Height x Width x Depth)	95 x 340 x 626 mm
Ingress protection code	IP66 [Dust penetration-protected, jet-proof]
Mech. impact protection code	IK09 [10 J]
Standard tilt angle posttop	0°
Standard tilt angle side entry	0°
Optical cover type	Flat glass
Net Weight (Piece)	6.500 kg
Approval and Application	
Flammability mark	For mounting on normally flammable surfaces
CE mark	Yes
ENEC mark	ENEC plus mark
EU RoHS compliant	Yes
Performance ambient temperature Tq	25 °C
Remarks	* At extreme ambient temperatures the luminaire might automatically dim down to protect components

Ambient temperature range	-40 to +50 °C
Initial Performance (IEC Compliant)	
Luminous flux tolerance	+/-7%
Initial chromaticity	(0.381, 0.379) SDCM <5
Power consumption tolerance	+/-10%
Init. Color Rendering Index Tolerance	+/-2
Standard Deviation of Colour Matching (McAdam ellipse)	SDCM≤5
Over Time Performance (IEC Compliant)	
Driver failure rate at 5000 h	0.5 %
Control gear failure rate at median useful life 50000 h	5 %
Control gear failure rate at median useful life 100000 h	10 %
Lumen maintenance (EN-IEC 62722-2-1) at median useful life* 50000 h	L98
Lumen maintenance (EN-IEC 62722-2-1) at median useful life* 100000 h	L96
Sustainability Data	
Sustainability rating	Signify Circle
Serviceability class	Class A, luminaire is equipped with serviceable parts (when applicable): LED board, driver, control units, surge protection device, optics, front cover and mechanical parts
Embedded carbon (A1-A3)	63.1 kg CO ₂ e
Product non-virgin material ratio	46.5 %
Recyclable content ratio of the finished product	58.6 %
GWP total B6 (kg CO ₂ eq) Declared Unit	Please calculate using your local energy mix value: Power Declared Unit (kW) * Service life (hrs) Declared Unit * Energy mix (kg CO ₂ eq / kWh)
GWP total B6 (kg CO ₂ eq) Functional Unit	Please calculate using your local energy mix value: Power Declared Unit (kW) * 1000 (lm) / lumen output (lm) Declared Unit * 35000 (hrs) * Energy mix (kg CO ₂ eq / kWh)
Product Data	
Order product name	BGP283 LED200-4S/740 I DX10 ALU 48/60S
Full product name	BGP283 LED200-4S/740 I DX10 ALU 48/60S
Full product code	871951410039800
Order code	910925866774
Material Nr. (12NC)	910925866774
Numerator - Quantity Per Pack	1
EAN/UPC - Product/Case	8719514100398
Numerator - Packs per outer box	1
EAN/UPC - Case	8719514100398
Product family code	BGP283 [UniStreet gen2 Medium]

Dimensional drawing



Photometric data



Polar Normal (separate) - BGP2831 - 910925866774

