



# Iridium gen4

## BGP502 LED160-4S/740 DX10 FG GF D9 CLO H

Iridium gen4, Road & street light, 90 W, 12245 lm, 4000 K, CRI70, Internal (no external connection), Distribution extra-wide 10, Safety class I, IP66, SRG6-6

Iridium gen4, the fourth generation of the Iridium family, is completely redesigned and fully optimised for visual comfort and tool-less maintenance. The Iridium gen4 provides guidance through the clear curved bowl placed in each luminaire along the road. Optional is the offer with GentleBeam. This is a textured curved glass, which reduces glare and improves visual comfort, while maintaining a good lighting distribution. The luminaire holds a new plug and play GearFlex module. This ensures a simplified maintenance and spare part repair process. The complete redesigned luminaire has a tool less opening, similar to Luma gen2, containing all electrical components in an easy to handle and accessible box inside the housing. Besides, the cable feed-through has been redesigned and access to the gear components is easy thanks to top down tool-less access. Iridium gen4 offers all connectivity and dimming options available today. As System Ready luminaire, it can be paired with lighting management systems such as Interact City or existing and upcoming sensor innovations. Also, installation has become easier and faster, and thanks to Service tag, you have access to all relevant documentations onsite. As a company conscious about the impact of light on the environment and biodiversity, the Iridium gen4 is equipped with dedicated light recipes that help with maintaining optimal ecosystems for bats or preserve a dark night sky. Iridium gen4 is a luminaire rated as best in class regarding efficiency and light performance, compared to other luminaires in the range, in a broad range of applications.

### Product data

# Iridium gen4

General Information	
Lamp family code	LED160-4S [LED module, system flux 16000 lm]
Light source replaceable	Yes
Number of gear units	Unit
Driver included	Yes
Light source engine type	LED
Service Tag	Yes
Lighting Technology	LED
Value ladder	Specification
Serviceability class	Class A, the luminaire is equipped with serviceable parts (when applicable): LED board, driver, control units, surge-protection device, optics, front cover and mechanical parts
Warranty period	5 years
Sustainability rating	Signify Circle

Light Technical	
Upwards light output ratio	0
Luminous Flux	12,245 lm
Correlated Colour Temperature (Nom)	4000 K
Luminous efficacy (rated) (nom.)	136 lm/W
Colour rendering index (CRI)	70
Light source colour	740 neutral white
Luminaire light beam spread	58 x 71°
Optic type outdoor	Distribution extra-wide 10
Effective projected area	0.021 m <sup>2</sup>

Operating and Electrical	
Input Voltage	220 to 240 V
Line Frequency	50 to 60 Hz
Initial CLO power consumption	90 W
Average CLO power consumption	92 W
End CLO power consumption	94 W
Inrush current	47 A
Inrush time	0.25 ms
Power Consumption	90 W
Power Factor (Fraction)	0.99
Connection	Connection unit 5-pole
Cable	-
Number of products on MCB (16 A type B)	10
Protection class IEC	Safety class I
Surge Protection (Common/Differential)	Surge protection level until 6 kV differential mode and 6 kV common mode

Controls and Dimming	
Dimmable	No
Driver/power unit/transformer	Power supply unit with DALI interface and constant light output
Control interface	Internal (no external connection)

Constant light output	Yes
DALI standard	DALI-2™
Maximum dim level	Not applicable
Embedded control	Constant light output

Mechanical and Housing	
Housing material	Aluminium
Reflector material	-
Optic material	Polymethyl methacrylate
Optical cover/lens material	Glass
Fixation material	Aluminium
Housing Colour	Grey
Mounting device	Spigot for diameter 62 mm
Optical cover/lens shape	Flat
Optical cover/lens finish	Clear
Overall length	685 mm
Overall width	356 mm
Overall height	166 mm
Dimensions (height x width x depth)	166 x 356 x 685 mm
Ingress protection code	IP66 [Dust penetration-protected, jet-proof]
Mech. impact protection code	IK10 [20 J vandal-resistant]
Standard tilt angle post-top	0°
Standard tilt angle side entry	0°
Optical cover type	Glass
Net Weight (Piece)	10.400 kg

Approval and Application	
Flammability mark	For mounting on normally flammable surfaces
CE mark	Yes
ENEC mark	ENEC plus mark
EU RoHS compliant	Yes
Performance ambient temperature Tq	25 °C
Remarks	* At extreme ambient temperatures the luminaire might automatically dim down to protect components
Ambient temperature range	-40 to +50 °C

Initial Performance (IEC Compliant)	
Luminous flux tolerance	+/-7%
Initial chromaticity	70
Power consumption tolerance	+/-10%
Init. Colour Rendering Index Tolerance	+/-2

Over Time Performance (IEC Compliant)	
Driver failure rate at 5,000 hours	0.5 %
Control gear failure rate at median useful life 35,000 h	1.75 %
Control gear failure rate at median useful life 50,000 h	5 %

# Iridium gen4

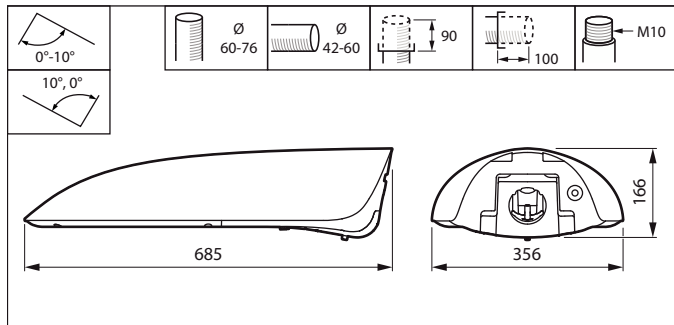
Control gear failure rate at median useful life 50,000 h	3.75 %
Control gear failure rate at median useful life 100,000 h	10 %
Lumen maintenance (EN-IEC 62722-2-1) at median useful life* 35000 h	L95
Lumen maintenance (EN-IEC 62722-2-1) at median useful life* 50000 h	L100
Lumen maintenance (EN-IEC 62722-2-1) at median useful life* 75000 h	L89
Lumen maintenance (EN-IEC 62722-2-1) at median useful life* 100000 h	L100

## Product Data

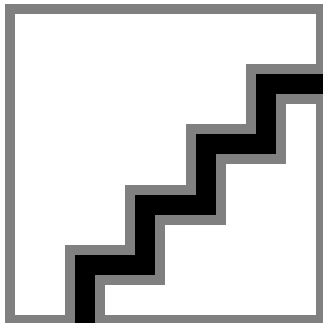
Order product name	BGP502 LED160-4S/740 DX10 FG GF D9 CLO H
--------------------	---

Full product name	BGP502 LED160-4S/740 DX10 FG GF D9 CLO H
Full EOC	871951406005000
Order code	910925866573
Material no. (12 NC)	910925866573
Numerator – quantity per pack	1
EAN/UPC – Product/Case	8719514060050
Numerator – packs per outer box	1
EAN/UPC – Case	8719514060050
Product family code	BGP502 [Iridium gen4 Medium]

## Dimensional drawing



## Photometric data



Polar Normal (separate) - BGP502I - 910925866573

## Iridium gen4

