



Iridium gen4

BGP502 LED110-4S/740 II DW10 FG GF SRTB

Iridium gen4, Road & street light, 63 W, 9570 lm, 4000 K, CRI70, Internal (no external connection), Distribution wide 10, Safety class II, IP66, SRG6-6

Iridium gen4, the fourth generation of the Iridium family, is completely redesigned and fully optimised for visual comfort and tool-less maintenance. The Iridium gen4 provides guidance through the clear curved bowl placed in each luminaire along the road. Optional is the offer with GentleBeam. This is a textured curved glass, which reduces glare and improves visual comfort, while maintaining a good lighting distribution. The luminaire holds a new plug and play GearFlex module. This ensures a simplified maintenance and spare part repair process. The complete redesigned luminaire has a tool less opening, similar to Luma gen2, containing all electrical components in an easy to handle and accessible box inside the housing. Besides, the cable feed-through has been redesigned and access to the gear components is easy thanks to top down tool-less access. Iridium gen4 offers all connectivity and dimming options available today. As System Ready luminaire, it can be paired with lighting management systems such as Interact City or existing and upcoming sensor innovations. Also, installation has become easier and faster, and thanks to Service tag, you have access to all relevant documentations onsite. As a company conscious about the impact of light on the environment and biodiversity, the Iridium gen4 is equipped with dedicated light recipes that help with maintaining the optimal ecosystems for bats or preserve a dark night sky. Iridium gen4 is a luminaire rated as best in class regarding efficiency and light performance, compared to other luminaires in the range, in a broad range of applications.

Product data

Iridium gen4

General Information	
Lamp family code	LED110-4S [LED module, system flux 11000 lm]
Light source replaceable	Yes
Number of gear units	Unit
Driver included	Yes
Light source engine type	LED
Service Tag	Yes
Lighting Technology	LED
Value ladder	Specification
Warranty period	5 years

Light Technical	
Upwards light output ratio	0
Luminous Flux	9,570 lm
Correlated Colour Temperature (Nom)	4000 K
Luminous efficacy (rated) (nom.)	152 lm/W
Colour rendering index (CRI)	70
Light source colour	740 neutral white
Luminaire light beam spread	34° x 62°
Optic type outdoor	Distribution wide 10
Effective projected area	0.021 m ²

Operating and Electrical	
Input Voltage	220 to 240 V
Line Frequency	50 to 60 Hz
Inrush current	4 A
Inrush time	2.7 ms
Power Consumption	63 W
Power Factor (Fraction)	0.97
Connection	Connection unit 5-pole
Cable	-
Number of products on MCB (16 A type B)	21
Protection class IEC	Safety class II
Surge Protection (Common/Differential)	Surge protection level until 6 kV differential mode and 6 kV common mode

Controls and Dimming	
Dimmable	No
Driver/power unit/transformer	Power supply unit with DALI and SystemReady interface
Control interface	Internal (no external connection)
Constant light output	No
Maximum dim level	Not applicable

Mechanical and Housing	
Housing material	Aluminium
Reflector material	-
Optic material	Polymethyl methacrylate
Optical cover/lens material	Glass
Fixation material	Aluminium
Housing Colour	Grey

Mounting device	Spigot for diameter 62 mm
Optical cover/lens shape	Flat
Optical cover/lens finish	Clear
Overall length	685 mm
Overall width	356 mm
Overall height	166 mm
Dimensions (height x width x depth)	166 x 356 x 685 mm
Ingress protection code	IP66 [Dust penetration-protected, jet-proof]
Mech. impact protection code	IK10 [20 J vandal-resistant]
Standard tilt angle post-top	0°
Standard tilt angle side entry	0°
Optical cover type	Glass
Net Weight (Piece)	11.016 kg

Approval and Application	
Flammability mark	For mounting on normally flammable surfaces
CE mark	Yes
ENEC mark	ENEC plus mark
EU RoHS compliant	Yes
Performance ambient temperature Tq	25 °C
Remarks	* At extreme ambient temperatures the luminaire might automatically dim down to protect components
Ambient temperature range	-40 to +50 °C

Initial Performance (IEC Compliant)	
Luminous flux tolerance	+/-7%
Initial chromaticity	70
Power consumption tolerance	+/-10%
Init. Colour Rendering Index Tolerance	+/-2

Over Time Performance (IEC Compliant)	
Driver failure rate at 5,000 hours	0.5 %
Control gear failure rate at median useful life 35,000 h	1.75 %
Control gear failure rate at median useful life 50,000 h	5 %
Control gear failure rate at median useful life 50,000 h	3.75 %
Control gear failure rate at median useful life 100,000 h	10 %
Lumen maintenance (EN-IEC 62722-2-1) at median useful life* 35000 h	L95
Lumen maintenance (EN-IEC 62722-2-1) at median useful life* 50000 h	L99
Lumen maintenance (EN-IEC 62722-2-1) at median useful life* 75000 h	L90
Lumen maintenance (EN-IEC 62722-2-1) at median useful life* 100000 h	L97

Iridium gen4

Sustainability Data

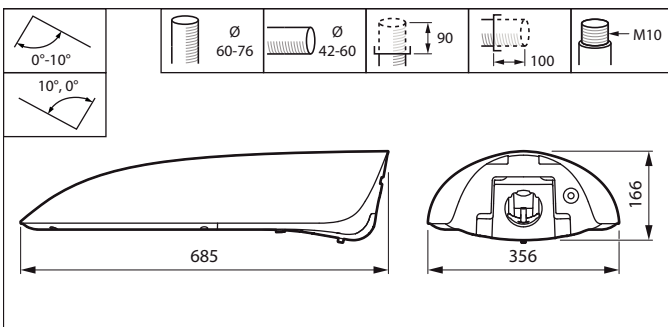
Sustainability rating	Signify Circle
Repair class	Repair Class B, the driver and light source of this luminaire can be replaced by a service technician. Parts and documentation are available for an extended period of time.
Embedded carbon (A1-A3)	103 kg CO ₂ e
Product non-virgin material ratio	50.6 %
Recyclable the content ratio of the finished product	59.8 %
GWP total B6 (kg CO2eq) Declared Unit	Please calculate using your local energy mix value: Power Declared Unit (kW) * Service life (hrs) Declared Unit * Energy mix (kg CO2eq / kwh)
GWP total B6 (kg CO2eq) Functional Unit	Please calculate using your local energy mix value: POWER DECLARED UNIT (kW) * 1000 (lm) / LUMEN OUTPUT DECLARED

UNIT (lm) * 35000 (hrs) * ENERGY MIX (kg CO2 eq / kwh)

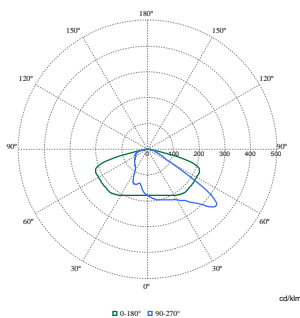
Product Data

Order product name	BGP502 LED110-4S/740 II DW10 FG GF SRTB
Full product name	BGP502 LED110-4S/740 II DW10 FG GF SRTB
Full EOC	871951406001200
Order code	910925866569
Material no. (12 NC)	910925866569
Numerator – quantity per pack	1
EAN/UPC – Product/Case	8719514060012
Numerator – packs per outer box	1
EAN/UPC – Case	8719514060012
Product family code	BGP502 [Iridium gen4 Medium]

Dimensional drawing



Photometric data



Polar Normal (separate) - BGP502I - 910925866569

Iridium gen4

