



Luma gen2

BGP704 LW10 LED120-4S/830 DM11 GF CTGO

Luma gen2, Road & street light, 91 W, 10920 lm, 3000 K, CRI80, GPRS network, Distribution medium 11, Interact Ready, Safety class I, IP66

Road & street light, Aluminum die cast, Gray, Post-top for diameter 60 to 76 mm, Power supply unit with DALI and SystemReady interface, 10920 lm, 91 W, 120 lm/W, 3000 K, (0.434, 0.403) SDCM 5, CRI80, Distribution medium 11, IP66 | Dust penetration-protected, jet-proof, IK09 | 10 J, Safety class I, Surge protection level until 6 kV differential mode and 8 kV common mode, Connection unit 5-pole

Product data

General Information		Operating and Electrical	
Lamp family code	LED120 [LED module 12000 lm]	Light source color	830 warm white
Light source replaceable	Yes	Luminaire light beam spread	70° x 37°
Number of gear units	1 unit	Optic type outdoor	Distribution medium 11
Driver included	Yes	Effective projected area	0.136 m ²
Light source engine type	LED	Operating and Electrical	
Service tag	Yes	Input Voltage	220 to 240 V
Lighting Technology	LED	Line Frequency	50 to 60 Hz
Value ladder	Specification	Inrush current	4 A
Warranty period	5 years	Inrush time	2.7 ms
Light Technical		Power Consumption	91 W
Upward light output ratio	0	Power Factor (Fraction)	0.98
Luminous Flux	10,920 lm	Connection	Connection unit 5-pole
Correlated Color Temperature (Nom)	3000 K	Cable	-
Luminous Efficacy (rated) (Nom)	120 lm/W	Number of products on MCB of 16 A type B	21
Color rendering index (CRI)	80	Protection class IEC	Safety class I

Luma gen2

Surge Protection (Common/Differential)	Surge protection level until 6 kV differential mode and 8 kV common mode
---	--

Controls and Dimming

Dimmable	No
Driver/power unit/transformer	Power supply unit with DALI and SystemReady interface
Control interface	GPRS network
Constant light output	No
Maximum dim level	Not applicable
Connectivity	Interact Ready

Mechanical and Housing

Housing Material	Aluminum die cast
Reflector material	-
Optic material	Polymethyl methacrylate
Optical cover material	Glass
Fixation material	Aluminum
Housing Color	Gray
Mounting device	Post-top for diameter 60 to 76 mm
Optical cover shape	Flat
Optical cover finish	Clear
Overall length	657 mm
Overall width	360 mm
Overall height	245 mm
Dimensions (Height x Width x Depth)	245 x 360 x 657 mm
Ingress protection code	IP66 [Dust penetration-protected, jet-proof]
Mech. impact protection code	IK09 [10 J]
Standard tilt angle posttop	0°
Standard tilt angle side entry	-
Optical cover type	Glass
Net Weight (Piece)	12.211 kg

Approval and Application

Flammability mark	-
CE mark	Yes
ENEC mark	ENEC plus mark
EU RoHS compliant	Yes
Performance ambient temperature Tq	25 °C
Remarks	* At extreme ambient temperatures the luminaire might automatically dim down to protect components
Ambient temperature range	-40 to +50 °C

Initial Performance (IEC Compliant)

Luminous flux tolerance	+/-7%
Initial chromaticity	(0.434, 0.403) SDCM 5
Power consumption tolerance	+/-10%
Init. Color Rendering Index Tolerance	+/-2
Standard Deviation of Colour Matching (McAdam ellipse)	SDCM≤5

Over Time Performance (IEC Compliant)

Driver failure rate at 5000 h	0.005 %
Control gear failure rate at median useful life 50000 h	5 %
Control gear failure rate at median useful life 100000 h	10 %
Lumen maintenance (EN-IEC 62722-2-1) at median useful life* 50000 h	L97
Lumen maintenance (EN-IEC 62722-2-1) at median useful life* 100000 h	L97

Sustainability Data

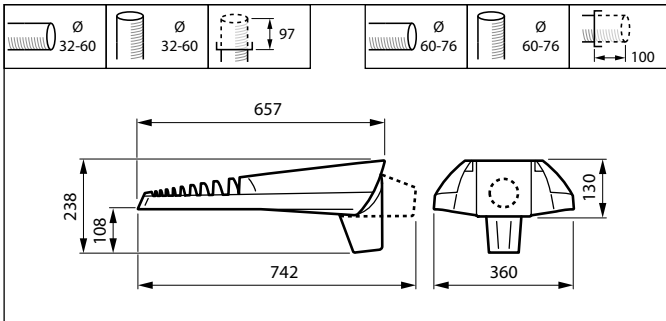
Sustainability rating	Signify Circle
Repair class	Repair Class B, the driver and light source of this luminaire can be replaced by a service technician. Parts and documentation are available for an extended period of time.
Embedded carbon (A1-A3)	99.5 kg CO ₂ e
Product non-virgin material ratio	51.4 %
Recyclable content ratio of the finished product	60.2 %
GWP total B6 (kg CO₂eq) Declared Unit	Please calculate using your local energy mix value: Power Declared Unit (kW) * Service life (hrs) Declared Unit * Energy mix (kg CO ₂ eq / kwh)
GWP total B6 (kg CO₂eq) Functional Unit	Please calculate using your local energy mix value: Power Declared Unit (kW) * 1000 (lm) / lumen output (lm) Declared Unit * 35000 (hrs) * Energy mix (kg CO ₂ eq / kwh)
Non-virgin material ratio of the packaging	Cardboard > 80% recycled
Packaging Recyclable content ratio	Cardboard recycling rate > 80%
Packaging Material	Cardboard

Product Data

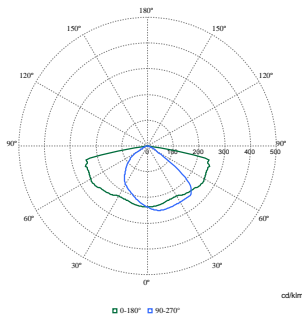
Order product name	BGP704 LW10 LED120-4S/830 DM11 GF CTGO
Full product name	BGP704 LW10 LED120-4S/830 DM11 GF CTGO
Full product code	871951405976400
Order code	910925866544
Material Nr. (12NC)	910925866544
Numerator - Quantity Per Pack	1
EAN/UPC - Product/Case	8719514059764
Numerator - Packs per outer box	1
EAN/UPC - Case	8719514059764
Product family code	BGP704 [LUMA GEN2 MEDIUM]

Luma gen2

Dimensional drawing



Photometric data



Polar Normal (separate) - BGP704I - 910925866544

