



Luma gen2

BGP704 LED210-4S/830 II DX10 GF D18 DDF3

Luma gen2, Road & street light, 166 W, 17850 lm, 3000 K, CRI80, Programmable (via DALI or NFC) stand-alone dimming, Distribution extra wide 10, Safety class II, IP66

Road & street light, Aluminum die cast, Gray, Post-top for diameter 60 to 76 mm, Power supply unit with DynaDimmer, DynaDimmer with fixed presets version 3, 17850 lm, 166 W, 108 lm/W, 3000 K, (0.434, 0.403) SDCM 5, CRI80, Distribution extra wide 10, IP66 | Dust penetration-protected, jet-proof, IK10 | 20 J vandal-resistant, Safety class II, Surge protection level until 6 kV differential mode and 8 kV common mode, Connection unit 5-pole

Product data

General Information		Color rendering index (CRI)	
Lamp family code	LED210 [LED module 21000 lm]	Color rendering index (CRI)	80
Light source replaceable	Yes	Light source color	830 warm white
Number of gear units	1 unit	Luminaire light beam spread	150° - 43° x 67°
Driver included	Yes	Optic type outdoor	Distribution extra wide 10
Light source engine type	LED	Effective projected area	0.136 m²
Service tag	Yes	Operating and Electrical	
Lighting Technology	LED	Input Voltage	220 to 240 V
Value ladder	Specification	Line Frequency	50 to 60 Hz
Warranty period	5 years	Inrush current	58 A
		Inrush time	0.34 ms
		Power Consumption	166 W
		Power Factor (Fraction)	0.99
		Connection	Connection unit 5-pole
		Cable	-
		Number of products on MCB of 16 A type B	7
Light Technical			
Upward light output ratio	0		
Luminous Flux	17,850 lm		
Correlated Color Temperature (Nom)	3000 K		
Luminous Efficacy (rated) (Nom)	108 lm/W		

Luma gen2

Protection class IEC	Safety class II
Surge Protection (Common/Differential)	Surge protection level until 6 kV differential mode and 8 kV common mode

Controls and Dimming

Dimmable	Yes
Driver/power unit/transformer	Power supply unit with DynaDimmer
Control interface	Programmable (via DALI or NFC) stand-alone dimming
Constant light output	No
DALI Standard	DALI-2™
Maximum dim level	30%
Embedded control	DynaDimmer with fixed presets version 3

Mechanical and Housing

Housing Material	Aluminum die cast
Reflector material	-
Optic material	Polymethyl methacrylate
Optical cover material	Glass
Fixation material	Aluminum
Housing Color	Gray
Mounting device	Post-top for diameter 60 to 76 mm
Optical cover shape	Flat
Optical cover finish	Clear
Overall length	657 mm
Overall width	360 mm
Overall height	245 mm
Dimensions (Height x Width x Depth)	245 x 360 x 657 mm
Ingress protection code	IP66 [Dust penetration-protected, jet-proof]
Mech. impact protection code	IK10 [20 J vandal-resistant]
Standard tilt angle posttop	0°
Standard tilt angle side entry	-
Optical cover type	Glass
Net Weight (Piece)	12.199 kg

Approval and Application

Flammability mark	-
CE mark	Yes
ENEC mark	ENEC plus mark
EU RoHS compliant	Yes
Performance ambient temperature Tq	25 °C
Remarks	* At extreme ambient temperatures the luminaire might automatically dim down to protect components
Ambient temperature range	-40 to +50 °C

Initial Performance (IEC Compliant)

Luminous flux tolerance	+/-7%
Initial chromaticity	(0.434, 0.403) SDCM 5
Power consumption tolerance	+/-10%
Init. Color Rendering Index Tolerance	+/-2

Standard Deviation of Colour Matching (McAdam ellipse)	SDCM≤5
--	--------

Over Time Performance (IEC Compliant)

Driver failure rate at 5000 h	0.005 %
Control gear failure rate at median useful life 50000 h	5 %
Control gear failure rate at median useful life 100000 h	10 %
Lumen maintenance (EN-IEC 62722-2-1) at median useful life* 50000 h	L96
Lumen maintenance (EN-IEC 62722-2-1) at median useful life* 100000 h	L98

Sustainability Data

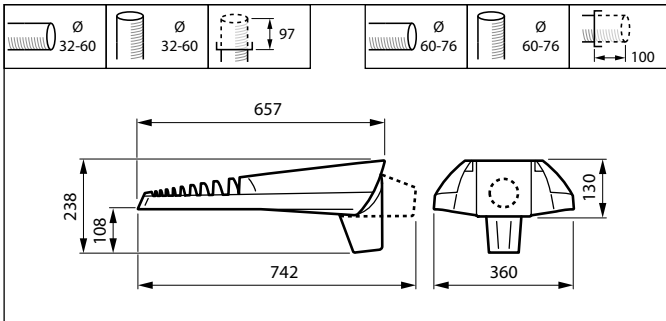
Sustainability rating	Unclassified
Repair class	Repair Class B, the driver and light source of this luminaire can be replaced by a service technician. Parts and documentation are available for an extended period of time.
Embedded carbon (A1-A3)	99.5 kg CO ₂ e
Product non-virgin material ratio	51.4 %
Recyclable content ratio of the finished product	60.2 %
GWP total B6 (kg CO ₂ eq) Declared Unit	Please calculate using your local energy mix value: Power Declared Unit (kW) * Service life (hrs) Declared Unit * Energy mix (kg CO ₂ eq / kWh)
GWP total B6 (kg CO ₂ eq) Functional Unit	Please calculate using your local energy mix value: Power Declared Unit (kW) * 1000 (lm) / Lumen output (lm) Declared Unit * 35000 (hrs) * Energy mix (kg CO ₂ eq / kWh)
Non-virgin material ratio of the packaging	Cardboard > 80% recycled
Packaging Recyclable content ratio	Cardboard recycling rate > 80%
Packaging Material	Cardboard

Product Data

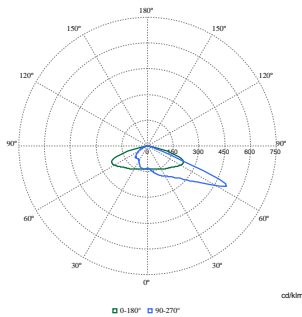
Order product name	BGP704 LED210-4S/830 II DX10 GF D18 DDF3
Full product name	BGP704 LED210-4S/830 II DX10 GF D18 DDF3
Full product code	871951405975700
Order code	910925866543
Material Nr. (12NC)	910925866543
Numerator - Quantity Per Pack	1
EAN/UPC - Product/Case	8719514059757
Numerator - Packs per outer box	1
EAN/UPC - Case	8719514059757
Product family code	BGP704 [LUMA GEN2 MEDIUM]

Luma gen2

Dimensional drawing



Photometric data



Polar Normal (separate) - BGP704I - 910925866543

