



## Luma gen2

### BGP704 LED210-4S/830 II DX10 GF D18 DDF3

Luma gen2, Road & street light, 166 W, 17850 lm, 3000 K, CRI80, Programmable (via DALI or NFC) stand-alone dimming, Distribution extra wide 10, Safety class II, IP66

The Luma family is designed to deliver flexible, highly efficient, and sustainable lighting that adapts to the dynamic needs of every city. Luma gen2 preserves the distinctive design characteristics of the first generation while adding the benefits of the latest technology, including a future-proof System Ready architecture, a new LEDgene performance extension, and an optical platform that ensures best-in-class lighting performance in a broad range of applications. Luma gen2 also offers improved serviceability. Installation is easy and fast, and Service tag gives you access to all relevant specs and product documentation onsite. The cable feed-through offers easy, top-down, tool-less access to the luminaire's gear components. Because Luma gen2 is System Ready, you can pair it with connected lighting management systems such as Interact, or with existing and future sensor innovations. Luma gen2 has been developed to optimize and simplify repairs and maintenance with a plug-and-play GearFlex module containing all electrical components in an easy-to-handle and accessible box inside the housing. Because sustainability is our focus, the GearFlex module uses post-industrial recycled material. The white frame around the LED engine uses post-industrial recycled material, and our product packaging minimizes plastic waste. The product can be disassembled in only a few steps at end of life. As a company conscious of the impact of light on the environment and biodiversity, we equipped Luma gen2 luminaires with dedicated light recipes that help to protect ecosystems for bats and preserve the dark night sky.

#### Product data

# Luma gen2

General Information	
Lamp family code	LED210 [LED module 21000 lm]
Light source replaceable	Yes
Number of gear units	1 unit
Driver included	Yes
Light source engine type	LED
Service tag	Yes
Lighting Technology	LED
Value ladder	Specification
Warranty period	5 years

Light Technical	
Upward light output ratio	0
Luminous Flux	17,850 lm
Correlated Color Temperature (Nom)	3000 K
Luminous Efficacy (rated) (Nom)	108 lm/W
Color rendering index (CRI)	80
Light source color	830 warm white
Luminaire light beam spread	150° - 43° x 67°
Optic type outdoor	Distribution extra wide 10
Effective projected area	0.136 m <sup>2</sup>

Operating and Electrical	
Input Voltage	220 to 240 V
Line Frequency	50 to 60 Hz
Inrush current	58 A
Inrush time	0.34 ms
Power Consumption	166 W
Power Factor (Fraction)	0.99
Connection	Connection unit 5-pole
Cable	-
Number of products on MCB of 16 A type B	7
Protection class IEC	Safety class II
Surge Protection (Common/Differential)	Surge protection level until 6 kV differential mode and 8 kV common mode

Controls and Dimming	
Dimmable	Yes
Driver/power unit/transformer	Power supply unit with DynaDimmer
Control interface	Programmable (via DALI or NFC) stand-alone dimming
Constant light output	No
DALI Standard	DALI-2™
Maximum dim level	30%
Embedded control	DynaDimmer with fixed presets version 3

Mechanical and Housing	
Housing Material	Aluminum die cast
Reflector material	-
Optic material	Polymethyl methacrylate
Optical cover material	Glass

Fixation material	Aluminum
Housing Color	Gray
Mounting device	Post-top for diameter 60 to 76 mm
Optical cover shape	Flat
Optical cover finish	Clear
Overall length	657 mm
Overall width	360 mm
Overall height	245 mm
Dimensions (Height x Width x Depth)	245 x 360 x 657 mm
Ingress protection code	IP66 [Dust penetration-protected, jet-proof]
Mech. impact protection code	IK10 [20 J vandal-resistant]
Standard tilt angle posttop	0°
Standard tilt angle side entry	-
Optical cover type	Glass
Net Weight (Piece)	12.199 kg

Approval and Application	
Flammability mark	-
CE mark	Yes
ENEC mark	ENEC plus mark
EU RoHS compliant	Yes
Performance ambient temperature Tq	25 °C
Remarks	* At extreme ambient temperatures the luminaire might automatically dim down to protect components
Ambient temperature range	-40 to +50 °C

Initial Performance (IEC Compliant)	
Luminous flux tolerance	+/-7%
Initial chromaticity	(0.434, 0.403) SDCM 5
Power consumption tolerance	+/-10%
Init. Color Rendering Index Tolerance	+/-2
Standard Deviation of Colour Matching (McAdam ellipse)	SDCM≤5

Over Time Performance (IEC Compliant)	
Driver failure rate at 5000 h	0.005 %
Control gear failure rate at median useful life 50000 h	5 %
Control gear failure rate at median useful life 100000 h	10 %
Lumen maintenance (EN-IEC 62722-2-1) at median useful life* 50000 h	L96
Lumen maintenance (EN-IEC 62722-2-1) at median useful life* 100000 h	L98

Sustainability Data	
Sustainability rating	Unclassified
Repair class	Repair Class B, the driver and light source of this luminaire can be replaced by a service technician. Parts and documentation are available for an extended period of time.

# Luma gen2

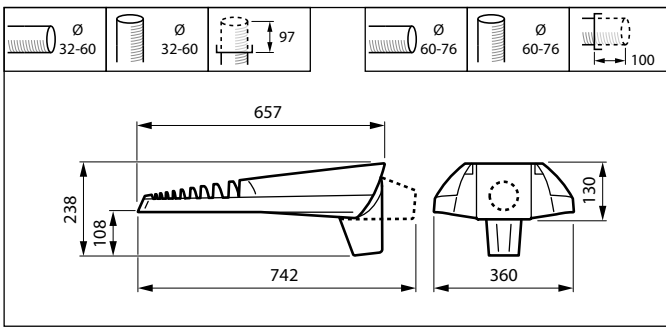
<b>Embedded carbon (A1-A3)</b>	99.5 kg CO <sub>2</sub> e
<b>Product non-virgin material ratio</b>	51.4 %
<b>Recyclable content ratio of the finished product</b>	60.2 %
<b>GWP total B6 (kg CO<sub>2</sub>eq) Declared Unit</b>	Please calculate using your local energy mix value: Power Declared Unit (kW) * Service life (hrs) Declared Unit * Energy mix (kg CO <sub>2</sub> eq / kwh)
<b>GWP total B6 (kg CO<sub>2</sub>eq) Functional Unit</b>	Please calculate using your local energy mix value: Power Declared Unit (kW) * 1000 (lm) /lumen output (lm) Declared Unit * 35000 (hrs) * Energy mix (kg CO <sub>2</sub> eq / kwh)

<b>Full product name</b>	BGP704 LED210-4S/830 II DX10 GF D18 DDF3
<b>Full product code</b>	871951405975700
<b>Order code</b>	910925866543
<b>Material Nr. (12NC)</b>	910925866543
<b>Numerator - Quantity Per Pack</b>	1
<b>EAN/UPC - Product/Case</b>	8719514059757
<b>Numerator - Packs per outer box</b>	1
<b>EAN/UPC - Case</b>	8719514059757
<b>Product family code</b>	BGP704 [LUMA GEN2 MEDIUM]

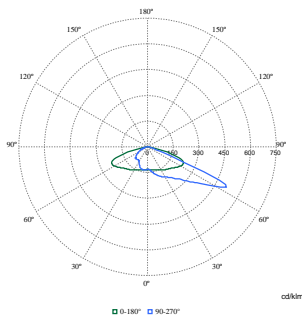
## Product Data

<b>Order product name</b>	BGP704 LED210-4S/830 II DX10 GF D18 DDF3
---------------------------	--

## Dimensional drawing



## Photometric data



Polar Normal (separate) - BGP704I - 910925866543

## Luma gen2

