



# Luma gen2

## BGP704 LED140-4S/740 DM50 GF SRT SRB 60

Luma gen2, Road & street light, 83 W, 12740 lm, 4000 K, CRI70, Internal (no external connection), Distribution medium 50, Interact Ready, Safety class I, IP66

Road & street light, Aluminum die cast, Gray, Post-top for diameter 60 to 76 mm, Power supply unit with DALI and SystemReady interface, 12740 lm, 83 W, 153 lm/W, 4000 K, (0.382, 0.380) SDCM 5, CRI70, Distribution medium 50, IP66 | Dust penetration-protected, jet-proof, IK09 | 10 J, Safety class I, Surge protection level until 6 kV differential mode and 8 kV common mode, Connection unit 5-pole

### Product data

General Information		Operating and Electrical	
Lamp family code	LED140 [LED module 14000 lm]	Light source color	740 neutral white
Light source replaceable	Yes	Luminaire light beam spread	154° - 31° x 54°
Number of gear units	1 unit	Optic type outdoor	Distribution medium 50
Driver included	Yes	Effective projected area	0.136 m <sup>2</sup>
Light source engine type	LED	<b>Operating and Electrical</b>	
Service tag	Yes	Input Voltage	220 to 240 V
Lighting Technology	LED	Line Frequency	50 to 60 Hz
Value ladder	Specification	Inrush current	4 A
Warranty period	5 years	Inrush time	2.7 ms
<b>Light Technical</b>		Power Consumption	83 W
Upward light output ratio	0	Power Factor (Fraction)	0.98
Luminous Flux	12,740 lm	Connection	Connection unit 5-pole
Correlated Color Temperature (Nom)	4000 K	Cable	-
Luminous Efficacy (rated) (Nom)	153 lm/W	Number of products on MCB of 16 A type B	21
Color rendering index (CRI)	70	Protection class IEC	Safety class I

# Luma gen2

<b>Surge Protection (Common/Differential)</b>	Surge protection level until 6 kV differential mode and 8 kV common mode
---	--

## Controls and Dimming

<b>Dimmable</b>	No
<b>Driver/power unit/transformer</b>	Power supply unit with DALI and SystemReady interface
<b>Control interface</b>	Internal (no external connection)
<b>Constant light output</b>	No
<b>Maximum dim level</b>	Not applicable
<b>Connectivity</b>	Interact Ready

## Mechanical and Housing

<b>Housing Material</b>	Aluminum die cast
<b>Reflector material</b>	-
<b>Optic material</b>	Polymethyl methacrylate
<b>Optical cover material</b>	Glass
<b>Fixation material</b>	Aluminum
<b>Housing Color</b>	Gray
<b>Mounting device</b>	Post-top for diameter 60 to 76 mm
<b>Optical cover shape</b>	Flat
<b>Optical cover finish</b>	Clear
<b>Overall length</b>	657 mm
<b>Overall width</b>	360 mm
<b>Overall height</b>	245 mm
<b>Dimensions (Height x Width x Depth)</b>	245 x 360 x 657 mm
<b>Ingress protection code</b>	IP66 [Dust penetration-protected, jet-proof]
<b>Mech. impact protection code</b>	IK09 [10 J]
<b>Standard tilt angle posttop</b>	0°
<b>Standard tilt angle side entry</b>	-
<b>Optical cover type</b>	Glass
<b>Net Weight (Piece)</b>	12.136 kg

## Approval and Application

<b>Flammability mark</b>	-
<b>CE mark</b>	Yes
<b>ENEC mark</b>	ENEC plus mark
<b>EU RoHS compliant</b>	Yes
<b>Performance ambient temperature Tq</b>	25 °C
<b>Remarks</b>	* At extreme ambient temperatures the luminaire might automatically dim down to protect components
<b>Ambient temperature range</b>	-40 to +50 °C

## Initial Performance (IEC Compliant)

<b>Luminous flux tolerance</b>	+/-7%
<b>Initial chromaticity</b>	(0.382, 0.380) SDCM 5
<b>Power consumption tolerance</b>	+/-10%
<b>Init. Color Rendering Index Tolerance</b>	+/-2
<b>Standard Deviation of Colour Matching (McAdam ellipse)</b>	SDCM≤5

## Over Time Performance (IEC Compliant)

<b>Driver failure rate at 5000 h</b>	0.005 %
<b>Control gear failure rate at median useful life 50000 h</b>	5 %
<b>Control gear failure rate at median useful life 100000 h</b>	10 %
<b>Lumen maintenance (EN-IEC 62722-2-1) at median useful life* 50000 h</b>	L97
<b>Lumen maintenance (EN-IEC 62722-2-1) at median useful life* 100000 h</b>	L97

## Sustainability Data

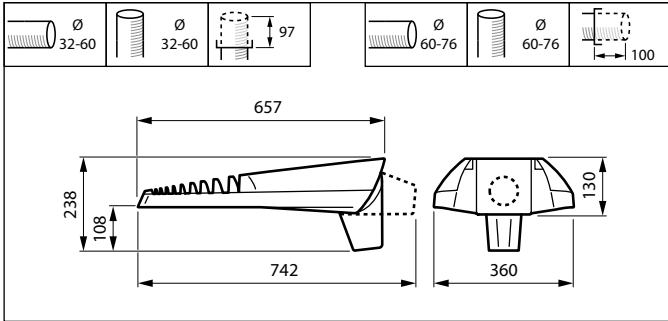
<b>Sustainability rating</b>	Signify Circle
<b>Repair class</b>	Repair Class B, the driver and light source of this luminaire can be replaced by a service technician. Parts and documentation are available for an extended period of time.
<b>Embedded carbon (A1-A3)</b>	99.5 kg CO <sub>2</sub> e
<b>Product non-virgin material ratio</b>	51.4 %
<b>Recyclable content ratio of the finished product</b>	60.2 %
<b>GWP total B6 (kg CO<sub>2</sub>eq) Declared Unit</b>	Please calculate using your local energy mix value: Power Declared Unit (kW) * Service life (hrs) Declared Unit * Energy mix (kg CO <sub>2</sub> eq / kwh)
<b>GWP total B6 (kg CO<sub>2</sub>eq) Functional Unit</b>	Please calculate using your local energy mix value: Power Declared Unit (kW) * 1000 (lm) /lumen output (lm) Declared Unit * 35000 (hrs) * Energy mix (kg CO <sub>2</sub> eq / kwh)
<b>Non-virgin material ratio of the packaging</b>	Cardboard > 80% recycled
<b>Packaging Recyclable content ratio</b>	Cardboard recycling rate > 80%
<b>Packaging Material</b>	Cardboard

## Product Data

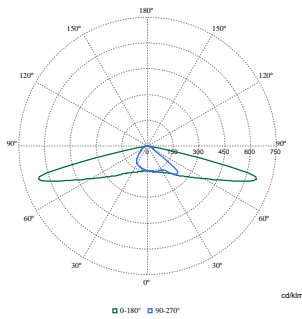
<b>Order product name</b>	BGP704 LED140-4S/740 DM50 GF SRT SRB 60
<b>Full product name</b>	BGP704 LED140-4S/740 DM50 GF SRT SRB 60
<b>Full product code</b>	871951405974000
<b>Order code</b>	910925866542
<b>Material Nr. (12NC)</b>	910925866542
<b>Numerator - Quantity Per Pack</b>	1
<b>EAN/UPC - Product/Case</b>	8719514059740
<b>Numerator - Packs per outer box</b>	1
<b>EAN/UPC - Case</b>	8719514059740
<b>Product family code</b>	BGP704 [LUMA GEN2 MEDIUM]

# Luma gen2

## Dimensional drawing



## Photometric data



Polar Normal (separate) - BGP704I - 910925866542

