



# LumiStreet gen2

## BGP293 LED240-4S/740 I DM11 48/60S

LumiStreet gen2, Road & street light, 138 W, 20160 lm, 4000 K, CRI70, Distribution medium 11, Safety class I, IP66

Increasing numbers of municipalities are having to upgrade large-scale conventional street lighting installations with energy-efficient LED technology. But they are having to do this with smaller and smaller budgets. That's why the new generation of LumiStreet has been upgraded and designed to provide a solution to this challenge, it is the ideal solution for performing point-to-point replacement of conventional lighting. LumiStreet gen2 achieves this by offering high-efficiency, low Total Cost of Ownership and ease of installation and maintenance. The ease of installation and maintenance is enabled by the Philips Service tag. Moreover, the Philips SR (System Ready) socket makes it future-ready and you can pair this luminaire with lighting control and software applications such as Interact City.

### Product data

General Information		Warranty period	
Lamp family code	LED240 [LED module 24000 lm]	Warranty period	5 years
Light source replaceable	Yes	Sustainability rating	Signify Circle
Number of gear units	1 unit	<b>Light Technical</b>	
Driver included	Yes	Upward light output ratio	0
Light source engine type	LED	Luminous Flux	20,160 lm
Service tag	Yes	Correlated Color Temperature (Nom)	4000 K
Lighting Technology	LED	Luminous Efficacy (rated) (Nom)	146 lm/W
Value ladder	Specification	Color rendering index (CRI)	70
Serviceability class	Class A, luminaire is equipped with serviceable parts (when applicable): LED board, driver, control units, surge protection device, optics, front cover and mechanical parts	Light source color	740 neutral white
		Luminaire light beam spread	160° - 42° x 54°
		Optic type outdoor	Distribution medium 11

# LumiStreet gen2

Effective projected area	0.0246 m²
--------------------------	-----------

## Operating and Electrical

Input Voltage	220 to 240 V
Line Frequency	50 to 60 Hz
Inrush current	53 A
Inrush time	0.3 ms
Power Consumption	138 W
Power Factor (Fraction)	0.99
Connection	2 Push-in connector 5-pole
Cable	-
Number of products on MCB of 16 A type B	8
Protection class IEC	Safety class I
Surge Protection (Common/Differential)	Surge protection level until 6 kV differential mode and 8 kV common mode

## Controls and Dimming

Dimmable	No
Driver/power unit/transformer	Power supply unit regulating
Control interface	-
Constant light output	No
Maximum dim level	0% (digital)

## Mechanical and Housing

Housing Material	Aluminum die cast
Reflector material	Polycarbonate
Optic material	Polymethyl methacrylate
Optical cover material	Glass
Fixation material	Aluminum
Housing Color	Gray
Mounting device	Side-entry for diameter 48 to 60 mm
Optical cover shape	Flat
Optical cover finish	Clear
Overall length	626 mm
Overall width	340 mm
Overall height	95 mm
Dimensions (Height x Width x Depth)	95 x 340 x 626 mm
Ingress protection code	IP66 [Dust penetration-protected, jet-proof]
Mech. impact protection code	IK09 [10 J]
Standard tilt angle posttop	0°
Standard tilt angle side entry	0°
Optical cover type	Flat glass
Net Weight (Piece)	6.500 kg

## Approval and Application

Flammability mark	For mounting on normally flammable surfaces
CE mark	Yes
ENEC mark	ENEC plus mark
EU RoHS compliant	Yes
Performance ambient temperature Tq	25 °C
Remarks	* At extreme ambient temperatures the luminaire might automatically dim down to protect components
Ambient temperature range	-40 to +50 °C

## Initial Performance (IEC Compliant)

Luminous flux tolerance	+/-7%
Initial chromaticity	(0.381, 0.379) SDCM <5
Power consumption tolerance	+/-10%
Init. Color Rendering Index Tolerance	+/-2
Standard Deviation of Colour Matching (McAdam ellipse)	SDCM ≤5

## Over Time Performance (IEC Compliant)

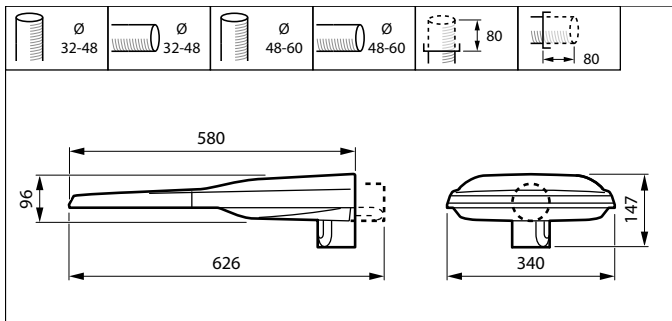
Driver failure rate at 5000 h	0.5 %
Control gear failure rate at median useful life 50000 h	5 %
Control gear failure rate at median useful life 100000 h	10 %
Lumen maintenance (EN-IEC 62722-2-1) at median useful life* 50000 h	L98
Lumen maintenance (EN-IEC 62722-2-1) at median useful life* 100000 h	L96

## Product Data

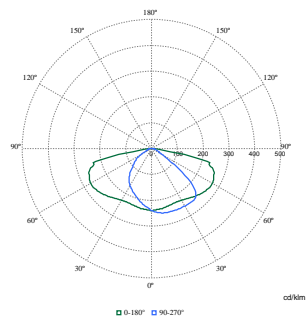
Order product name	BGP293 LED240-4S/740 I DM11 48/60S
Full product name	BGP293 LED240-4S/740 I DM11 48/60S
Full product code	871951405877400
Order code	05877400
Material Nr. (12NC)	910925866444
Numerator - Quantity Per Pack	1
EAN/UPC - Product/Case	8719514058774
Numerator - Packs per outer box	1
EAN/UPC - Case	8719514058774
Product family code	BGP293 [LumiStreet gen2 Medium]

# LumiStreet gen2

## Dimensional drawing



## Photometric data



Polar Normal (separate) - BGP283I - 910925866444

