



ClearWay gen2

BGP307 LED99-4S/740 II DM11 CLO-DDF2 D18

ClearWay gen2, Road & street light, 56 W, 8256 lm, 4000 K, CRI70, Programmable (via DALI or NFC) stand-alone dimming, Distribution medium 11, Safety class II, IP66

ClearWay Gen2 enables you to enjoy the benefits of LED technology for urban lighting right from the start. This new second generation of the luminaire builds on the strengths of its predecessor and is designed to further minimize your Total Cost of Ownership. ClearWay Gen2 significantly improves the most important aspects of the street lighting experience compared to conventional urban lighting. Ideal for new streets and for renovating existing installations, this affordable range of urban ClearWay lighting solutions combines clean design, high-quality light with significant energy and maintenance savings. In short, ClearWay Gen2 means good quality light with all the added benefits of LED - energy savings and long lifetime. Offering more benefits, yet packaged in a thinner and lighter design, which makes it easier to install.

Product data

General Information			
Lamp family code	LED99 [LED module 9900 lm]		board, driver, control units, surge protection
Light source replaceable	Yes		device, optics, front cover and mechanical parts
Number of gear units	1 unit	Warranty period	5 years
Driver included	Yes	Sustainability rating	Signify Circle
Light source engine type	LED	Light Technical	
Service tag	Yes	Upward light output ratio	0
Lighting Technology	LED	Luminous Flux	8,256 lm
Value ladder	Performance	Correlated Color Temperature (Nom)	4000 K
Serviceability class	Class A, luminaire is equipped with serviceable parts (when applicable): LED	Luminous Efficacy (rated) (Nom)	147 lm/W

ClearWay gen2

Color rendering index (CRI)	70
Light source color	740 neutral white
Optic type	-
Luminaire light beam spread	160° - 42° x 54°
Optic type outdoor	Distribution medium 11
Effective projected area	0.1151 m ²

Operating and Electrical

Input Voltage	220 to 240 V
Line Frequency	50 to 60 Hz
Initial CLO power consumption	56 W
Average CLO power consumption	57 W
End CLO power consumption	58 W
Inrush current	47 A
Inrush time	0.25 ms
Power Consumption	56 W
Power Factor (Fraction)	0.99
Connection	Push-in connector 5-pole
Cable	-
Number of products on MCB of 16 A type B	10
Protection class IEC	Safety class II
Surge Protection (Common/Differential)	Surge protection level until 6 kV differential mode and 8 kV common mode

Controls and Dimming

Dimmable	Yes
Driver/power unit/transformer	Power supply unit with DynaDimmer
Control interface	Programmable (via DALI or NFC) stand-alone dimming
Constant light output	Yes
DALI Standard	DALI-2™
Maximum dim level	0% (digital)
Embedded control	Constant light output and DynaDimmer fixed presets version 2

Mechanical and Housing

Housing Material	Aluminum die cast
Reflector material	-
Optic material	Polymethyl methacrylate
Optical cover material	Tempered glass
Fixation material	Aluminum
Housing Color	Gray
Mounting device	Universal for diameter 48 to 60 mm adjustable
Optical cover shape	Flat
Optical cover finish	Clear
Overall length	482 mm
Overall width	330 mm
Overall height	93 mm
Dimensions (Height x Width x Depth)	93 x 330 x 482 mm
Ingress protection code	IP66 [Dust penetration-protected, jet-proof]

Mech. impact protection code	IK09 [10 J]
Standard tilt angle posttop	0°
Standard tilt angle side entry	0°
Optical cover type	Flat glass
Net Weight (Piece)	6.890 kg

Approval and Application

Flammability mark	-
CE mark	Yes
ENEC mark	ENEC mark
Photobiological risk	Photobiological risk group 1 @ 200mm to EN62471
Photobiological risk specification	3.1 m
EU RoHS compliant	Yes
Performance ambient temperature Tq	25 °C
Remarks	*-Per Lighting Europe guidance paper "Evaluating performance of LED based luminaires - January 2018": statistically there is no relevant difference in lumen maintenance between B50 and for example B10. Therefore, the median useful life (B50) value also represents the B10 value. * At extreme ambient temperatures the luminaire might automatically dim down to protect components
Ambient temperature range	-40 to +50 °C

Initial Performance (IEC Compliant)

Luminous flux tolerance	+/-7%
Initial chromaticity	(0.38, 0.38) SDCM <5
Power consumption tolerance	+/-10%
Init. Color Rendering Index Tolerance	+/-2
Standard Deviation of Colour Matching (McAdam ellipse)	SDCM≤5

Over Time Performance (IEC Compliant)

Control gear failure rate at median useful life 50000 h	5 %
Control gear failure rate at median useful life 100000 h	10 %
Lumen maintenance (EN-IEC 62722-2-1) at median useful life* 50000 h	L100
Lumen maintenance (EN-IEC 62722-2-1) at median useful life* 100000 h	L100

Product Data

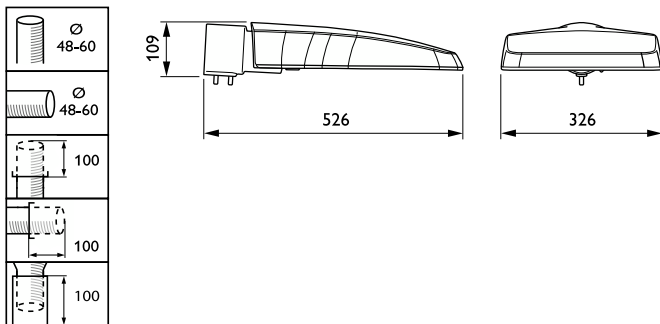
Order product name	BGP307 LED99-4S/740 II DM11 CLO-DDF2 D18
Full product name	BGP307 LED99-4S/740 II DM11 CLO-DDF2 D18
Full product code	871869699730700
Order code	910925865252

ClearWay gen2

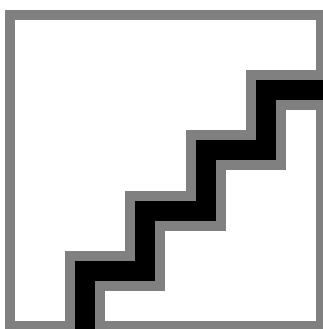
Material Nr. (12NC)	910925865252
Numerator - Quantity Per Pack	1
EAN/UPC - Product/Case	8718696997307
Numerator - Packs per outer box	1

EAN/UPC - Case	8718696997307
Product family code	BGP307 [ClearWay gen2]

Dimensional drawing



Photometric data



Polar Normal (separate) - BGP307I - 910925865242

