



ClearWay gen2

BGP307 LED120-4S/740 II DM50 48/60S

ClearWay gen2, Road & street light, 72 W, 10200 lm, 4000 K, CRI70, Distribution medium 50, Safety class II, IP66

ClearWay Gen2 enables you to enjoy the benefits of LED technology for urban lighting right from the start. This new second generation of the luminaire builds on the strengths of its predecessor and is designed to further minimize your Total Cost of Ownership. ClearWay Gen2 significantly improves the most important aspects of the street lighting experience compared to conventional urban lighting. Ideal for new streets and for renovating existing installations, this affordable range of urban ClearWay lighting solutions combines clean design, high-quality light with significant energy and maintenance savings. In short, ClearWay Gen2 means good quality light with all the added benefits of LED - energy savings and long lifetime. Offering more benefits, yet packaged in a thinner and lighter design, which makes it easier to install.

Product data

General Information	
Lamp family code	LED120 [LED module 12000 lm]
Light source replaceable	Yes
Number of gear units	1 unit
Driver included	Yes
Light source engine type	LED
Service tag	Yes
Lighting Technology	LED
Value ladder	Performance
Serviceability class	Class A, luminaire is equipped with serviceable parts (when applicable): LED board, driver, control units, surge protection

	device, optics, front cover and mechanical parts
Warranty period	5 years
Sustainability rating	Signify Circle

Light Technical	
Upward light output ratio	0
Luminous Flux	10,200 lm
Correlated Color Temperature (Nom)	4000 K
Luminous Efficacy (rated) (Nom)	142 lm/W
Color rendering index (CRI)	70
Light source color	740 neutral white

ClearWay gen2

Optic type	-
Luminaire light beam spread	154° - 31° x 54°
Optic type outdoor	Distribution medium 50
Effective projected area	0.1151 m ²

Sustainability Data

Product non-virgin material ratio	5.83 %
GWP total B6 (kg CO2eq) Declared Unit	Please calculate using your local energy mix value: Power Declared Unit (kW) * Service life (hrs) Declared Unit * Energy mix (kg CO2eq / kwh)
GWP total B6 (kg CO2eq) Functional Unit	Please calculate using your local energy mix value: Power Declared Unit (kW) * 1000 (lm) / lumen output (lm) Declared Unit * 35000 (hrs) * Energy mix (kg CO2 eq / kwh)

Operating and Electrical

Input Voltage	220 to 240 V
Line Frequency	50 to 60 Hz
Inrush current	47 A
Inrush time	0.25 ms
Power Consumption	72 W
Power Factor (Fraction)	0.99
Connection	Push-in connector 5-pole
Cable	-
Number of products on MCB of 16 A type B	10
Protection class IEC	Safety class II
Surge Protection (Common/Differential)	Surge protection level until 6 kV differential mode and 8 kV common mode

Controls and Dimming

Dimmable	No
Driver/power unit/transformer	Power supply unit (On/Off)
Control interface	-
Constant light output	No
Maximum dim level	Not applicable

Mechanical and Housing

Housing Material	Aluminum die cast
Reflector material	-
Optic material	Polymethyl methacrylate
Optical cover material	Tempered glass
Fixation material	Aluminum
Housing Color	Gray
Mounting device	Universal for diameter 48 to 60 mm adjustable
Optical cover shape	Flat
Optical cover finish	Clear
Overall length	482 mm
Overall width	330 mm
Overall height	93 mm

Dimensions (Height x Width x Depth)	93 x 330 x 482 mm
Ingress protection code	IP66 [Dust penetration-protected, jet-proof]
Mech. impact protection code	IK09 [10 J]
Standard tilt angle posttop	0°
Standard tilt angle side entry	0°
Optical cover type	Flat glass
Net Weight (Piece)	5.890 kg

Approval and Application

Flammability mark	-
CE mark	Yes
ENEC mark	ENEC mark
Photobiological risk	Photobiological risk group 1 @ 200mm to EN62471
Photobiological risk specification	3.1 m
EU RoHS compliant	Yes
Performance ambient temperature Tq	25 °C
Remarks	*-Per Lighting Europe guidance paper "Evaluating performance of LED based luminaires - January 2018": statistically there is no relevant difference in lumen maintenance between B50 and for example B10. Therefore, the median useful life (B50) value also represents the B10 value. * At extreme ambient temperatures the luminaire might automatically dim down to protect components
Ambient temperature range	-40 to +50 °C

Initial Performance (IEC Compliant)

Luminous flux tolerance	+/-7%
Initial chromaticity	(0.38, 0.38) SDCM <5
Power consumption tolerance	+/-10%
Init. Color Rendering Index Tolerance	+/-2
Standard Deviation of Colour Matching (McAdam ellipse)	SDCM≤5

Over Time Performance (IEC Compliant)

Driver failure rate at 5000 h	0.5 %
Control gear failure rate at median useful life 50000 h	5 %
Control gear failure rate at median useful life 100000 h	10 %
Lumen maintenance (EN-IEC 62722-2-1) at median useful life* 50000 h	L98
Lumen maintenance (EN-IEC 62722-2-1) at median useful life* 100000 h	L96

Product Data

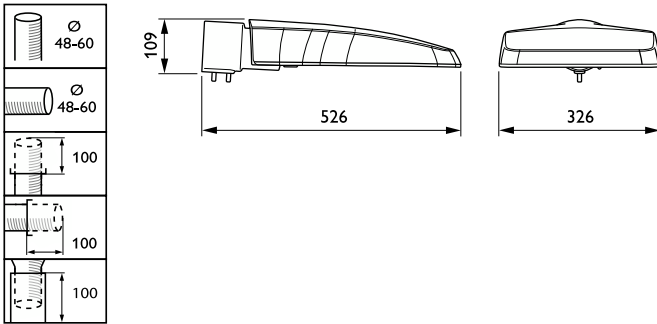
Order product name	BGP307 LED120-4S/740 II DM50 48/60S
Full product name	BGP307 LED120-4S/740 II DM50 48/60S
Full product code	871869698708700

ClearWay gen2

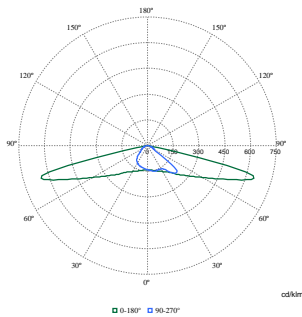
Order code	910925864607
Material Nr. (12NC)	910925864607
Numerator - Quantity Per Pack	1
EAN/UPC - Product/Case	8718696987087
Numerator - Packs per outer box	1

EAN/UPC - Case	8718696987087
Product family code	BGP307 [ClearWay gen2]

Dimensional drawing



Photometric data



Polar Normal (separate) - BGP307I - 910925865134

