



GreenSpace Evo Projector

ST333T 27S/PW930 UE DIA-VLC HWB WH481

GreenSpace Evo Projector, UltraEfficient, 18.8 W, 2700 lm, PremiumWhite, 3000 K, CRI>90, DALI, Interact Ready, High-reflective metal reflector Wide beam 40 to 80 degrees, White

GreenSpace Evo Projector is a powerful and flexible projector for retail with a subtle and neutral design. The 3D printed housing is crafted from at least 65% recycled or bio-circular materials, while the heatsink is made from 85% recycled aluminium. Because of its circular design, the luminaire is upgradable, reusable, fully serviceable and recyclable. Combined with the high energy efficiency, this makes the GreenSpace Evo a sustainable projector choice. The PerfectAccent reflectors ensure a light effect with increased sparkle and improved shopper eye comfort. The OptiAccent (FPO) Lens technology for maximizing central light intensity. GreenSpace Evo also comes in state-of-the-art ultra-efficient variants and integrates seamlessly onto 3C- and DALI-tracks, CoreLine Trunking and Maxos fusion. Further customization of colors and textures is possible via Philips MyCreation

Warnings and Safety

- Cleaning of the optic should only be done with pressurized air. Touching the LED or reflector is forbidden. For food preparation areas and areas with high levels of dust, the use of the optional front glass is strongly advised, as it can be cleaned with a (dry) microfiber cloth
- During maintenance, the product must be switched off and cooled down
- The product must be installed out of arm's reach. Manipulating the product when hot is only possible with an insulated glove

Product data

General Information		Driver included	Yes
Number of gear units	1 unit	Value ladder	Performance

GreenSpace Evo Projector

Warranty period	5 years
-----------------	---------

Light Technical

Luminous Flux	2,700 lm
Correlated Color Temperature (Nom)	3000 K
Luminous Efficacy (rated) (Nom)	144 lm/W
Color rendering index (CRI)	>90
Light source color	PremiumWhite with CRI ≥90 and color temperature 3000K
Optic type	High-reflective metal reflector Wide beam 40 to 80 degrees
Luminaire light beam spread	36°
Unified glare rating CEN	19

Operating and Electrical

Input Voltage	220 to 240 V
Line Frequency	50 to 60 Hz
Inrush current	8 A
Inrush time	150 ms
Power Consumption	18.8 W
Power Factor (Fraction)	0.9
Connection	3C Track
Cable	-
Number of products on MCB of 16 A type B	71
Suitable for random switching	Not applicable
Protection class IEC	Safety class II

Controls and Dimming

Dimmable	Yes
Driver/power unit/transformer	Dali dimming Interact System ready visual light communication enabled
Control interface	DALI
Constant light output	No
DALI Standard	D4i™ DALI-2™
Connectivity	Interact Ready

Mechanical and Housing

Housing Material	Polycarbonate
Reflector material	Aluminum
Optic material	Aluminum
Optical cover material	-
Fixation material	-
Housing Color	White
Optical cover finish	-
Overall length	253 mm
Overall width	92 mm
Overall height	190 mm
Overall diameter	0 mm
Dimensions (Height x Width x Depth)	190 x 92 x 253 mm
Ingress protection code	IP20 [Finger-protected]
Mech. impact protection code	IK02 [0.2 J standard]

Net Weight (Piece)	0.700 kg
--------------------	----------

Emergency Operation

Central Emergency	No
-------------------	----

Approval and Application

Glow-wire test	Temperature 650 °C, duration 30 s
Flammability mark	-
CE mark	Yes
ENEC mark	ENEC mark
EU RoHS compliant	Yes
Performance ambient temperature Tq	25 °C
Ambient temperature range	+10 to +25 °C

Initial Performance (IEC Compliant)

Luminous flux tolerance	+/-10%
Initial chromaticity	(0.422, 0.386)
Power consumption tolerance	+/-10%

Over Time Performance (IEC Compliant)

Control gear failure rate at median useful life 100000 h	10 %
Lumen maintenance (EN-IEC 62722-2-1) L80 at median useful life* 50000 h	

Sustainability Data

Sustainability rating	Signify Circle
Repair class	Repair Class B, the driver and light source of this luminaire can be replaced by a service technician. Parts and documentation are available for an extended period of time.
Embedded carbon (A1-A3)	6.78 kg CO ₂ e
Product non-virgin material ratio	33.9 %
Recyclable content ratio of the finished product	40.5 %
GWP total B6 (kg CO ₂ eq) Declared Unit	Please calculate using your local energy mix value: Power Declared Unit (kW) * Service life (hrs) Declared Unit * Energy mix (kg CO ₂ eq / kWh)
GWP total B6 (kg CO ₂ eq) Functional Unit	Please calculate using your local energy mix value: Power Declared Unit (kW) * 1000 (lm) / lumen output (lm) Declared Unit * 35000 (hrs) * Energy mix (kg CO ₂ eq / kWh)

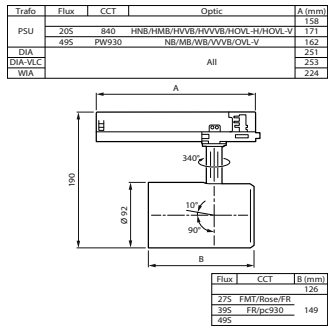
Product Data

Order product name	ST333T 27S/PW930 UE DIA-VLC HWB WH481
Full product name	ST333T 27S/PW930 UE DIA-VLC HWB WH481
Full product code	872016959089200
Order code	910505104602
Material Nr. (12NC)	910505104602
Numerator - Quantity Per Pack	1
EAN/UPC - Product/Case	8720169590892

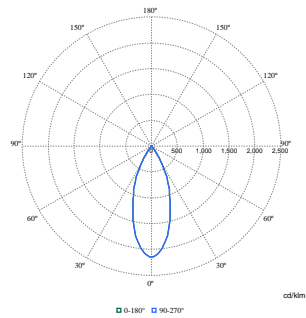
GreenSpace Evo Projector

Numerator - Packs per outer box	1
EAN/UPC - Case	8720169590892
Product family code	ST333T [GreenSpace Evo Projector Track]

Dimensional drawing



Photometric data



Polar Normal (separate) - ST333TI - 910505104602

