



GreenSpace Evo Mini

ST332T 27S/PW930 PSU HWB BK482

GreenSpace Evo Mini, 20.7 W, 2700 lm, PremiumWhite, 3000 K, CRI>90, High-reflective metal reflector Medium beam 20 to 40 degrees, Black

Polycarbonate, Black, Power supply unit (On/Off), 2700 lm, 20.7 W, 121 lm/W, PremiumWhite, 3000 K, (0.422, 0.386) SDCM <2, CRI>90, High-reflective metal reflector Medium beam 20 to 40 degrees, IP20 | Finger-protected, IK02 | 0.2 J standard, Safety class II, Track

Warnings and Safety

- Cleaning of the optic should only be done with pressurized air. Touching the LED or reflector is forbidden. For food preparation areas and areas with high levels of dust, the use of the optional front glass is strongly advised, as it can be cleaned with a (dry) microfiber cloth
- During maintenance, the product must be switched off and cooled down
- The product must be installed out of arm's reach. Manipulating the product when hot is only possible with an insulated glove

Product data

General Information		Colour rendering index (CRI)	
Number of gear units	Unit	Colour rendering index (CRI)	>90
Driver included	Yes	Light source colour	PremiumWhite with CRI ≥90 and colour temperature 3,000K
Service Tag	Yes	Optic type	High-reflective metal reflector Medium beam 20 to 40 degrees
Value ladder	Performance	Luminaire light beam spread	36°
Warranty period	5 years	Unified Glare Rating (CEN)	Not applicable
Light Technical		Operating and Electrical	
Luminous Flux	2,700 lm	Input Voltage	220-240 V
Correlated Colour Temperature (Nom)	3000 K	Line Frequency	50 to 60 Hz
Luminous efficacy (rated) (nom.)	121 lm/W		

GreenSpace Evo Mini

Inrush current	14.1 A
Inrush time	0.131 ms
Power Consumption	20.7 W
Power Factor (Fraction)	0.9
Connection	Track
Cable	-
Number of products on MCB (16 A type B)	71
Suitable for random switching	Not applicable
Protection class IEC	Safety class II
Total harmonic distortion	20 %

Controls and Dimming

Dimmable	No
Driver/power unit/transformer	Power supply unit (On/Off)
Control interface	-
Constant light output	No

Mechanical and Housing

Housing material	Polycarbonate
Reflector material	Aluminium
Optic material	Aluminium
Optical cover/lens material	-
Fixation material	-
Housing Colour	Black
Optical cover/lens finish	-
Overall length	107 mm
Overall height	216 mm
Overall diameter	65 mm
Ingress protection code	IP20 [Finger-protected]
Mech. impact protection code	IK02 [0.2 J standard]
Net Weight (Piece)	0.400 kg

Emergency Operation

Central Emergency	No
-------------------	----

Approval and Application

Glow-wire test	Temperature 650 °C, duration 30 s
Flammability mark	-

CE mark	Yes
ENEC mark	ENEC mark
EU RoHS compliant	Yes
Performance ambient temperature Tq	25 °C
Ambient temperature range	+10 to +35 °C

Initial Performance (IEC Compliant)

Luminous flux tolerance	+/-10%
Initial chromaticity	(0.422, 0.386) SDCM <2
Power consumption tolerance	+/-10%

Over Time Performance (IEC Compliant)

Control gear failure rate at median useful life 50,000 h	10 %
Lumen maintenance (EN-IEC 62722-2-1) at L80 median useful life* 100000 h	

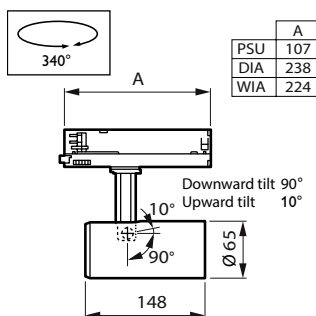
Sustainability Data

Sustainability rating	Signify Circle
Repair class	Repair Class B, the driver and light source of this luminaire can be replaced by a service technician. Parts and documentation are available for an extended period of time.

Product Data

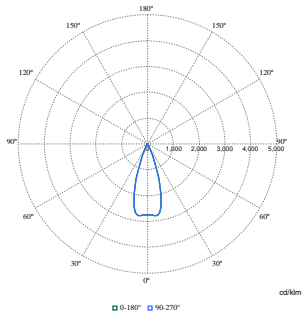
Order product name	ST332T 27S/PW930 PSU HWB BK482
Full product name	ST332T 27S/PW930 PSU HWB BK482
Full EOC	872016959023600
Order code	910505104527
Material no. (12 NC)	910505104527
Numerator – quantity per pack	1
EAN/UPC – Product/Case	8720169590236
Numerator – packs per outer box	1
EAN/UPC - Case	8720169590236
Product family code	ST332T [GreenSpace Evo Mini Track]

Dimensional drawing



GreenSpace Evo Mini

Photometric data



Polar Normal (separate) - ST332TI - 910505104527

