



GreenSpace Evo Mini

ST332T 27S/830 PSU HWB WH481

GreenSpace Evo Mini, 20.7 W, 2800 lm, 3000 K, High-reflective metal reflector Medium beam 20 to 40 degrees, White

Polycarbonate, White, Power supply unit (On/Off), 2800 lm, 20.7 W, 126 lm/W, 3000 K, (0.434, 0.403) SDCM <3, High-reflective metal reflector Medium beam 20 to 40 degrees, IP20 | Finger-protected, IK02 | 0.2 J standard, Safety class II, Track

Warnings and Safety

- Cleaning of the optic should only be done with pressurized air. Touching the LED or reflector is forbidden. For food preparation areas and areas with high levels of dust, the use of the optional front glass is strongly advised, as it can be cleaned with a (dry) microfiber cloth
- During maintenance, the product must be switched off and cooled down
- The product must be installed out of arm's reach. Manipulating the product when hot is only possible with an insulated glove

Product data

General Information		Optic type	
Number of gear units	Unit	High-reflective metal reflector Medium beam 20 to 40 degrees	
Driver included	Yes	Luminaire light beam spread	
Service Tag	Yes	36°	
Value ladder	Performance	Unified Glare Rating (CEN)	
Warranty period	5 years	Not applicable	
Light Technical		Operating and Electrical	
Luminous Flux	2,800 lm	Input Voltage	220-240 V
Correlated Colour Temperature (Nom)	3000 K	Line Frequency	50 to 60 Hz
Luminous efficacy (rated) (nom.)	126 lm/W	Inrush current	14.1 A
Colour rendering index (CRI)	>80	Inrush time	0.131 ms
Light source colour	830 warm white	Power Consumption	20.7 W
		Power Factor (Fraction)	0.9
		Connection	Track

GreenSpace Evo Mini

Cable	-
Number of products on MCB (16 A type B)	71
Suitable for random switching	Not applicable
Protection class IEC	Safety class II
Total harmonic distortion	20 %

Controls and Dimming

Dimmable	No
Driver/power unit/transformer	Power supply unit (On/Off)
Control interface	-
Constant light output	No

Mechanical and Housing

Housing material	Polycarbonate
Reflector material	Aluminium
Optic material	Aluminium
Optical cover/lens material	-
Fixation material	-
Housing Colour	White
Optical cover/lens finish	-
Overall length	107 mm
Overall height	216 mm
Overall diameter	65 mm
Ingress protection code	IP20 [Finger-protected]
Mech. impact protection code	IK02 [0.2 J standard]
Net Weight (Piece)	0.400 kg

Emergency Operation

Central Emergency	No
-------------------	----

Approval and Application

Glow-wire test	Temperature 650 °C, duration 30 s
Flammability mark	-
CE mark	Yes
ENEC mark	ENEC mark
EU RoHS compliant	Yes

Performance ambient temperature Tq	25 °C
Ambient temperature range	+10 to +35 °C

Initial Performance (IEC Compliant)

Luminous flux tolerance	+/-10%
Initial chromaticity	(0.434, 0.403) SDCM <3
Power consumption tolerance	+/-10%

Over Time Performance (IEC Compliant)

Control gear failure rate at median useful life 50,000 h	10 %
Lumen maintenance (EN-IEC 62722-2-1) at median useful life* 100000 h	L80

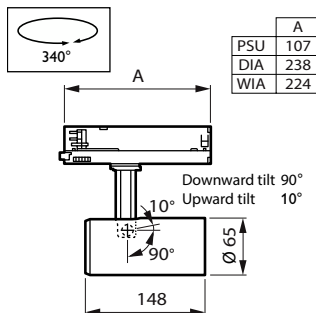
Sustainability Data

Sustainability rating	Signify Circle
Repair class	Repair Class B, the driver and light source of this luminaire can be replaced by a service technician. Parts and documentation are available for an extended period of time.

Product Data

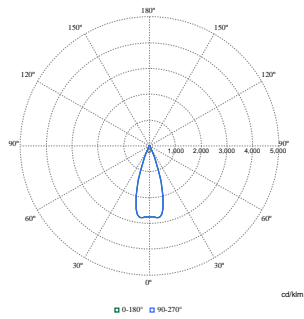
Order product name	ST332T 27S/830 PSU HWB WH481
Full product name	ST332T 27S/830 PSU HWB WH481
Full EOC	872016959021200
Order code	910505104525
Material no. (12 NC)	910505104525
Numerator – quantity per pack	1
EAN/UPC – Product/Case	8720169590212
Numerator – packs per outer box	1
EAN/UPC - Case	8720169590212
Product family code	ST332T [GreenSpace Evo Mini Track]

Dimensional drawing



GreenSpace Evo Mini

Photometric data



Polar Normal (separate) - ST332TI - 910505104525

