



# GreenSpace Evo Mini

## ST332T 17S/840 PSU HMB BK482

GreenSpace Evo Mini, 11.7 W, 1700 lm, 4000 K, High-reflective metal reflector Medium beam 20 to 40 degrees, Black

Polycarbonate, Black, Power supply unit (On/Off), 1700 lm, 11.7 W, 147 lm/W, 4000 K, (0.382, 0.380) SDCM <3, High-reflective metal reflector Medium beam 20 to 40 degrees, IP20 | Finger-protected, IK02 | 0.2 J standard, Safety class II, Track

### Warnings and Safety

- Cleaning of the optic should only be done with pressurized air. Touching the LED or reflector is forbidden. For food preparation areas and areas with high levels of dust, the use of the optional front glass is strongly advised, as it can be cleaned with a (dry) microfiber cloth
- During maintenance, the product must be switched off and cooled down
- The product must be installed out of arm's reach. Manipulating the product when hot is only possible with an insulated glove

### Product data

General Information		Optic type	
Number of gear units	1 unit	High-reflective metal reflector Medium beam 20 to 40 degrees	
Driver included	Yes	Luminaire light beam spread	
Service tag	Yes	29°	
Value ladder	Performance	Unified glare rating CEN	
Warranty period	5 years	Not applicable	
Light Technical		Operating and Electrical	
Luminous Flux	1,700 lm	Input Voltage	220-240 V
Correlated Color Temperature (Nom)	4000 K	Line Frequency	50 to 60 Hz
Luminous Efficacy (rated) (Nom)	147 lm/W	Inrush current	13.3 A
Color rendering index (CRI)	>80	Inrush time	0.132 ms
Light source color	840 neutral white	Power Consumption	11.7 W
		Power Factor (Fraction)	0.9
		Connection	Track

# GreenSpace Evo Mini

Cable	-
Number of products on MCB of 16 A type B	60
Suitable for random switching	Not applicable
Protection class IEC	Safety class II
Total harmonic distortion	20 %

## Controls and Dimming

Dimmable	No
Driver/power unit/transformer	Power supply unit (On/Off)
Control interface	-
Constant light output	No

## Mechanical and Housing

Housing Material	Polycarbonate
Reflector material	Aluminum
Optic material	Aluminum
Optical cover material	-
Fixation material	-
Housing Color	Black
Optical cover finish	-
Overall length	107 mm
Overall height	216 mm
Overall diameter	65 mm
Ingress protection code	IP20 [Finger-protected]
Mech. impact protection code	IK02 [0.2 J standard]
Net Weight (Piece)	0.400 kg

## Emergency Operation

Central Emergency	No
-------------------	----

## Approval and Application

Glow-wire test	Temperature 650 °C, duration 30 s
Flammability mark	-
CE mark	Yes
ENEC mark	ENEC mark
EU RoHS compliant	Yes
Performance ambient temperature Tq	25 °C

Ambient temperature range	+10 to +35 °C
---------------------------	---------------

## Initial Performance (IEC Compliant)

Luminous flux tolerance	+/-10%
Initial chromaticity	(0.382, 0.380) SDCM <3
Power consumption tolerance	+/-10%

## Over Time Performance (IEC Compliant)

Control gear failure rate at median useful life 50000 h	10 %
Lumen maintenance (EN-IEC 62722-2-1) at median useful life* 100000 h	L80

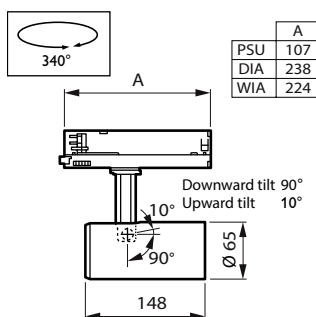
## Sustainability Data

Sustainability rating	Signify Circle
Repair class	Repair Class B, the driver and light source of this luminaire can be replaced by a service technician. Parts and documentation are available for an extended period of time.
Non-virgin material ratio of the packaging	Cardboard > 80% recycled
Packaging Recyclable content ratio	Cardboard recycling rate > 80%
Packaging Material	Cardboard

## Product Data

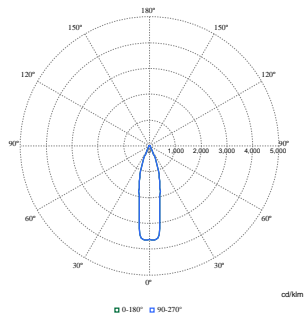
Order product name	ST332T 17S/840 PSU HMB BK482
Full product name	ST332T 17S/840 PSU HMB BK482
Full product code	872016959017500
Order code	910505104521
Material Nr. (12NC)	910505104521
Numerator - Quantity Per Pack	1
EAN/UPC - Product/Case	8720169590175
Numerator - Packs per outer box	1
EAN/UPC - Case	8720169590175
Product family code	ST332T [GreenSpace Evo Mini Track]

## Dimensional drawing



# GreenSpace Evo Mini

## Photometric data



Polar Normal (separate) - ST332TI - 910505104521

