



KeyLine, Surface & Suspended

SM351C 50S/840 PSU A PCS L1500 WH

KeyLine, Surface & Suspended, 37 W, L1500 mm; H70 mm, 5000 lm, 4000 K, UGR19

These days, many office owners and office lighting designers prefer lines of light. The reason is simple. Not only do light lines come in a minimalistic design; they also offer far more choice and flexibility. Short or long lines and luminaires, standalone luminaires, different optics including asymmetric, different shapes and even a variety of colors; anything is possible. And with KeyLine, all these benefits come at a competitive price while still complying with office lighting norms. KeyLine is a superb light line range with a slim, minimalistic design and a high lumen output to illuminate the brightest office spaces. But with comfortable, low levels of glare it's also easy on the eye and complies with UGR19. That makes KeyLine ideal for linear applications, as well as standalone suspended or surface-mounted luminaires (Accessories to be ordered separately). A range that offers the ultimate flexibility and unlimited possibilities. KeyLine design flexibility comes in the form of different lengths, colors and light outputs - including L-shapes, as well as straight lines. All with high efficiency up to 142 lm/W, and the option to upgrade with wireless connectivity and control. Add to that attractive pricing, and with KeyLine you can also enjoy excellent value that ensures a superb total cost of ownership.

Warnings and Safety

- KeyLine luminaires have an IP20 classification and are not protected against water ingress. We strongly recommend that the installation environment is checked for suitability.
- If – despite the IPX0 classification warning – luminaires are subject to water ingress, Philips and Signify cannot guarantee safety or prevent failure. In this case the product warranty does not apply and becomes void.

Product data

KeyLine, Surface & Suspended

General Information	
Number of gear units	1 unit
Driver included	Yes
Service tag	Yes
Value ladder	Performance
Serviceability class	Class C, luminaire without serviceable parts, not serviceable
Warranty period	5 years
Sustainability rating	Unclassified

Light Technical	
Luminous Flux	5,000 lm
Saturated Red (R9)	<50
Correlated Color Temperature (Nom)	4000 K
Luminous Efficacy (rated) (Nom)	135 lm/W
Color rendering index (CRI)	>80
Light source color	840 neutral white
Optic type	Assymetric Beam angle
Luminaire light beam spread	-
Unified glare rating CEN	19

Operating and Electrical	
Input Voltage	220-240 V
Line Frequency	50 to 60 Hz
Input Frequency	0/50/60 Hz
Inrush current	22.4 A
Inrush time	0.326 ms
Power Consumption	37 W
Power Factor (Fraction)	0.9
Connection	-
Cable	Cable 0.75 m without plug
Number of products on MCB of 16 A type B	34
Suitable for random switching	Not applicable
Protection class IEC	Safety class I

Controls and Dimming	
Dimmable	No
Driver/power unit/transformer	Power supply unit (On/Off)
Control interface	-
Constant light output	No
Maximum dim level	Not applicable

Mechanical and Housing	
Housing Material	Aluminium
Reflector material	Steel
Optic material	Polycarbonate
Optical cover material	Polycarbonate
Fixation material	Stainless steel
Housing Color	White
Optical cover finish	Frosted

Reflector Finish	-
Overall length	1,407 mm
Overall width	70 mm
Overall height	70 mm
Dimensions (Height x Width x Depth)	70 x 70 x 1407 mm
Ingress protection code	IP20 [Finger-protected]
Mech. impact protection code	IK06 [1 J]
Net Weight (Piece)	3.480 kg

Emergency Operation	
Central Emergency	No

Approval and Application	
Glow-wire test	Temperature 650 °C, duration 30 s
Flammability mark	-
CE mark	Yes
ENEC mark	ENEC mark
EU RoHS compliant	Yes
Performance ambient temperature Tq	25 °C
Stroboscopic effect visibility measure (SVM)	0.4
Ambient temperature range	+10 to +35 °C

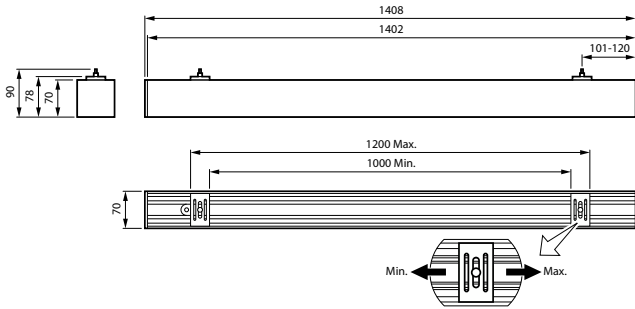
Initial Performance (IEC Compliant)	
Luminous flux tolerance	+/-10%
Initial chromaticity	(0.39, 0.38) SDCM <3
Power consumption tolerance	+/-10%
Standard Deviation of Colour Matching (McAdam ellipse)	SDCM≤3

Over Time Performance (IEC Compliant)	
Control gear failure rate at median useful life 50000 h	5 %
Lumen maintenance (EN-IEC 62722-2-1) at median useful life* 50000 h	L90
Lumen maintenance (EN-IEC 62722-2-1) at median useful life* 100000 h	L80

Product Data	
Order product name	SM351C 50S/840 PSU A PCS L1500 WH
Full product name	SM351C 50S/840 PSU A PCS L1500 WH
Full product code	872016961520500
Order code	910505103703
Material Nr. (12NC)	910505103703
Numerator - Quantity Per Pack	1
EAN/UPC - Product/Case	8720169615205
Numerator - Packs per outer box	1
EAN/UPC - Case	8720169615205
Product family code	SM350C [KeyLine]

KeyLine, Surface & Suspended

Dimensional drawing



Photometric data



Polar Normal (separate) - null - 910505103703

