



GentleSpace gen4

BY581P 700S/840 DIA HE WB GC SI BR

GentleSpace gen4, Highbay, 397 W, BR, 70000 lm, 4000 K, DALI, Interact Ready, Wide beam, IP65, IK07

GentleSpace gen4 is the ultimate lighting solution for industrial settings and indoor sports facilities. It exceeds expectations by ensuring superior light quality, improving employee safety and productivity, and complying with all the relevant safety regulations. Engineered for longevity, GentleSpace gen4 reduces the frequency, hassle, and costs of maintenance, making it ideal for high-ceiling installations. Its energy-efficient design cuts operational expenses, offering maximum application efficiency and an attractive total cost of ownership (TCO). This product range offers a wide variety of optics, beam angles (from very narrow to wide), lumen packages, and connectivity options. With GentleSpace gen4 you can easily create a tailor-made lighting solution for every high-ceiling application. Its modern, flat design makes it easier to install, clean, and maintain. The single optical window design provides superior visual performance. A variety of mounting possibilities and connectors, like the pre-mounted IP65 connector, enable quick and easy installation. The robust design allows it to withstand harsh conditions in all sorts of environments. You can choose between various cover materials, including specialized variants for extreme temperatures (XT), hazardous areas (ATEX 2/22), and sports applications. Additionally, GentleSpace gen4 offers advanced connectivity options. It's ready to use in connected lighting systems like Interact. Reliable, high-efficiency lighting with smart connectivity – a bright choice for a better future. Embrace sustainability with GentleSpace gen4, the highbay lighting solution that complies with the principles of the circular economy by prioritising durability and recyclability. The luminaire is serviceable, with all the information available at your fingertips via the Signify Service tag app. Whether you are looking for a reliable "fit and forget" solution or one that can be adapted and controlled after installation, GentleSpace gen4 is the right choice for you.

Product data

GentleSpace gen4

General Information	
Number of gear units	Unit
Driver included	Yes
Service Tag	Yes
Value ladder	Specification
Warranty period	5 years
Light Technical	
Luminous Flux	70,000 lm
Correlated Colour Temperature (Nom)	4000 K
Luminous efficacy (rated) (nom.)	177 lm/W
Colour rendering index (CRI)	>80
Light source colour	840 neutral white
Optic type	Wide beam
Luminaire light beam spread	91° x 91°
Unified Glare Rating (CEN)	25
Operating and Electrical	
Input Voltage	220 to 240 V
Line Frequency	50 to 60 Hz
Initial CLO power consumption	0 W
Average CLO power consumption	-W;- W
Inrush current	15.3 A
Inrush time	0.061 ms
Power Consumption	397 W
Power Factor (Fraction)	0.9
Connection	Plug-in connector 5-pole Wieland/Adels compatible
Cable	-
Number of products on MCB (16 A type B)	8
Suitable for random switching	No
Protection class IEC	Safety class I
Total harmonic distortion	8 %
Controls and Dimming	
Dimmable	Yes
Driver/power unit/transformer	Dali dimming Interact System ready
Control interface	DALI
Constant light output	No
Maximum dim level	10%
Connectivity	Interact Ready
Mechanical and Housing	
Housing material	Aluminium
Reflector material	Polycarbonate
Optic material	Polycarbonate
Optical cover/lens material	Glass
Fixation material	Aluminium
Housing Colour	Silver
Optical cover/lens finish	Clear
Overall length	417 mm

Overall width	654 mm
Overall height	244 mm
Dimensions (height x width x depth)	244 x 654 x 417 mm
Ingress protection code	IP65 [Dust penetration-protected, jet-proof]
Mech. impact protection code	IK07 [2 J reinforced]
Mounting	Bracket
Net Weight (Piece)	12.000 kg

Emergency Operation

Central Emergency	No
-------------------	----

Approval and Application

Glow-wire test	Temperature 650 °C, duration 30 s
Flammability mark	For mounting on easily flammable surfaces
CE mark	Yes
ENEC mark	ENEC mark
EU RoHS compliant	Yes
Performance ambient temperature Tq	25 °C
Flickering value (PstLM)	0.22
Stroboscopic effect	0.01
Ambient temperature range	-30 to +55 °C

Initial Performance (IEC Compliant)

Luminous flux tolerance	+/-10%
Initial chromaticity	(0.383, 0.377) SDCM 3
Power consumption tolerance	+/-5%

Over Time Performance (IEC Compliant)

Control gear failure rate at median useful life 100,000 h	10 %
Lumen maintenance (EN-IEC 62722-2-1) at median useful life* 50000 h	-
Lumen maintenance (EN-IEC 62722-2-1) at median useful life* 100000 h	L85

Sustainability Data

Sustainability rating	Signify Circle
Serviceability class	Class A, the luminaire is equipped with serviceable parts (when applicable): LED board, driver, control units, surge-protection device, optics, front cover and mechanical parts
Embedded carbon (A1-A3)	78.7 kg CO _{2e}
Product non-virgin material ratio	38.9 %
Recyclable the content ratio of the finished product	58.1 %
GWP total B6 (kg CO _{2eq}) Declared Unit	Please calculate using your local energy mix value: Power Declared Unit (kW) * Service life (hrs) Declared Unit * Energy mix (kg CO _{2eq} / kWh)
GWP total B6 (kg CO _{2eq}) Functional Unit	Please calculate using your local energy mix value: POWER DECLARED UNIT (kW) * 1000

GentleSpace gen4

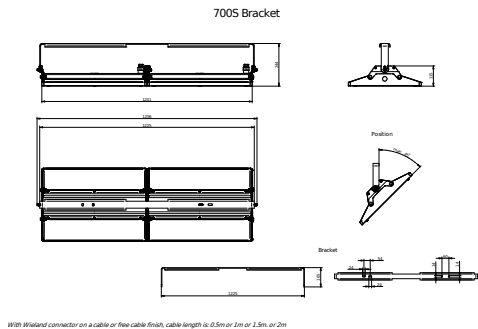
(lm) / LUMEN OUTPUT DECLARED UNIT (lm) *
35000 (hrs) * ENERGY MIX (kg CO2 eq / kwh)

Material no. (12 NC)	910505102956
Numerator – quantity per pack	1
EAN/UPC – Product/Case	8720169589520
Numerator – packs per outer box	1
EAN/UPC - Case	8720169589520
Product family code	BY581P [Gentlespace gen4 Large]

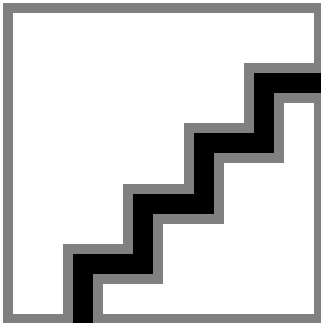
Product Data

Order product name	BY581P 700S/840 DIA HE WB GC SI BR
Full product name	BY581P 700S/840 DIA HE WB GC SI BR
Full EOC	872016958952000
Order code	910505102956

Dimensional drawing



Photometric data



Polar Normal (separate) - null - 910505102956

