



StoreFlux gen3 rim

GD622B 39S/PW930 PSU-E HWB BK

StoreFlux gen3 rim, Grdilight, 2 spots (*flux-performance values for 1 spot), 58 W, 8000 lm, 3000 K, CRI>90, High-reflective metal reflector Wide beam 40 to 80 degrees, Black, IP20

With StoreFlux, retailers can enjoy the superior quality of light and market-leading energy efficiency of PerfectAccent optics in a refined and neutral product design that nicely blends in-shop architecture. The StoreFlux gridlight can be equipped with up to three LED modules with the PerfectAccent reflector system to deliver top-quality accent lighting that makes your shop and merchandise look great. As well as its long service lifetime, StoreFlux also offers tool-free reflector replacement, with an easy access to the driver for hassle-free maintenance.

Warnings and Safety

- The luminaire should be mounted out of arm's reach. Manipulating the product when hot is only possible with an insulated glove
- The luminaire should be installed and disassembled by a qualified electrician and wired in accordance with the latest IEE electrical regulations or the national requirements
- All photometrical data is calculated without optional front glass. Flux should be reduced by 3.5% when using a front glass
- In case of no front glass lens, cleaning the optic should only be done with pressurised air. Touching the LED or reflector is forbidden. For areas with high levels of dust, the use of the optional front glass is strongly advised, as it can then be easily cleaned with a (dry) microfibre cloth
- For multi-spot configurations, please use single configuration photometry and duplicate it according to the number of spots in a given configuration.

Product data

| General Information | | Service Tag | Yes |
|--------------------------|---------|---------------------|---------------|
| Light source replaceable | No | Lighting Technology | LED |
| Number of gear units | 2 units | Value ladder | Specification |
| Driver included | Yes | | |

StoreFlux gen3 rim

| | |
|-----------------|---------|
| Warranty period | 5 years |
|-----------------|---------|

Light Technical

| | |
|-------------------------------------|---|
| Luminous Flux | 8,000 lm |
| Correlated Colour Temperature (Nom) | 3000 K |
| Luminous efficacy (rated) (nom.) | 138 lm/W |
| Colour rendering index (CRI) | >90 |
| Beam angle of light source | 120 degree(s) |
| Light source colour | PremiumWhite with CRI ≥90 and colour temperature 3,000K |
| Optic type | High-reflective metal reflector Wide beam 40 to 80 degrees |
| Luminaire light beam spread | 36° |
| Unified Glare Rating (CEN) | 22 |

Operating and Electrical

| | |
|---|-----------------------------|
| Input Voltage | 220 to 240 V |
| Line Frequency | 50 to 60 Hz |
| Average CLO power consumption | - W |
| Inrush current | 11.1 A |
| Inrush time | 250 ms |
| Power Consumption | 58 W |
| Power Factor (Fraction) | 0.9 |
| Connection | 2 push-in connectors 2-pole |
| Cable | - |
| Number of products on MCB (16 A type B) | 49 |
| Suitable for random switching | No |
| Protection class IEC | Safety class II |
| Total harmonic distortion | 20 % |

Controls and Dimming

| | |
|-------------------------------|-------------------------------------|
| Dimmable | No |
| Driver/power unit/transformer | Power supply unit external (On/Off) |
| Constant light output | No |
| Maximum dim level | Not applicable |

Mechanical and Housing

| | |
|-------------------------------------|-------------------------|
| Housing material | Aluminium |
| Reflector material | Aluminium |
| Optic material | Aluminium |
| Optical cover/lens material | - |
| Fixation material | - |
| Housing Colour | Black |
| Optical cover/lens finish | - |
| Overall length | 326 mm |
| Overall width | 179 mm |
| Overall height | 160 mm |
| Overall diameter | 0 mm |
| Dimensions (height x width x depth) | 160 x 179 x 326 mm |
| Ingress protection code | IP20 [Finger-protected] |
| Mech. impact protection code | IK02 [0.2 J standard] |

| | |
|--------------------|----------|
| Net Weight (Piece) | 2.500 kg |
|--------------------|----------|

Approval and Application

| | |
|------------------------------------|--|
| Glow-wire test | Temperature 650 °C, duration 30 s |
| Flammability mark | For mounting on normally flammable surfaces |
| CE mark | Yes |
| ENEC mark | ENEC mark |
| Photobiological risk | Photobiological risk group 1 @200mm to EN62778 |
| Photobiological risk specification | 0.2 m |
| EU RoHS compliant | Yes |
| Performance ambient temperature Tq | 25 °C |
| Flickering value (PstLM) | 1 |
| Stroboscopic effect | 0.5 |
| Ambient temperature range | +10 to +35 °C |

Initial Performance (IEC Compliant)

| | |
|--|-----------------|
| Luminous flux tolerance | +/-10% |
| Initial chromaticity | (0.422,0.386)<2 |
| Power consumption tolerance | +/-10% |
| Standard Deviation of Colour Matching (McAdam ellipse) | SDCM≤2 |

Over Time Performance (IEC Compliant)

| | |
|--|-------|
| Control gear failure rate at median useful life 50,000 h | 5 % |
| Control gear failure rate at median useful life 100,000 h | 3.1 % |
| Lumen maintenance (EN-IEC 62722-2-1) at median useful life* 50000 h | L90 |
| Lumen maintenance (EN-IEC 62722-2-1) at median useful life* 100000 h | L85 |

Sustainability Data

| | |
|-----------------------|--|
| Sustainability rating | Signify Circle |
| Repair class | Repair Class B, the driver and light source of this luminaire can be replaced by a service technician. Parts and documentation are available for an extended period of time. |

Product Data

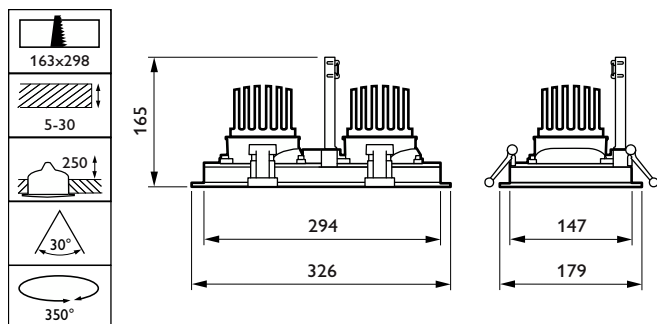
| | |
|---------------------------------|-------------------------------|
| Order product name | GD622B 39S/PW930 PSU-E HWB BK |
| Full product name | GD622B 39S/PW930 PSU-E HWB BK |
| Full EOC | 872016901225700 |
| Order code | 910505102206 |
| Material no. (12 NC) | 910505102206 |
| Numerator – quantity per pack | 1 |
| EAN/UPC – Product/Case | 8720169012257 |
| Numerator – packs per outer box | 1 |
| EAN/UPC – Case | 8720169012257 |

StoreFlux gen3 rim

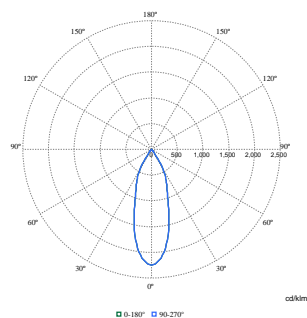
Product family code

GD622B [StoreFlux gen3]

Dimensional drawing



Photometric data



Polar Normal (separate) - GD601BI - 910505102206

