



# StoreFlux gen3 rim

## GD622B 27S/830 PSU-E WB WH

StoreFlux gen3 rim, Grdilight, 2 spots (\*flux-performance values for 1 spot), 39 W, 5400 lm, 3000 K, CRI>80, Wide beam, White, IP20

Grdilight, 2 spots (\*flux-performance values for 1 spot), Aluminium, White, Signal white (RAL9003), Power supply unit external (On/Off), 5400 lm, 39 W, 137 lm/W, 3000 K, (0.434,0.403)<2, CRI>80, UGR19, Wide beam, IP20 | Finger-protected, IK02 | 0.2 J standard, Safety class II, 2 push-in connectors 2-pole

### Warnings and Safety

- The luminaire should be mounted out of arm's reach. Manipulating the product when hot is only possible with an insulated glove
- The luminaire should be installed and disassembled by a qualified electrician and wired in accordance with the latest IEE electrical regulations or the national requirements
- All photometrical data is calculated without optional front glass. Flux should be reduced by 3.5% when using a front glass
- In case of no front glass lens, cleaning the optic should only be done with pressurised air. Touching the LED or reflector is forbidden. For areas with high levels of dust, the use of the optional front glass is strongly advised, as it can then be easily cleaned with a (dry) microfibre cloth
- For multi-spot configurations, please use single configuration photometry and duplicate it according to the number of spots in a given configuration.

### Product data

General Information		Warranty period	
Light source replaceable	No	5 years	
Number of gear units	2 units	Light Technical	
Driver included	Yes	Luminous Flux	5,400 lm
Service Tag	Yes	Correlated Colour Temperature (Nom)	3000 K
Lighting Technology	LED	Luminous efficacy (rated) (nom.)	137 lm/W
Value ladder	Specification	Colour rendering index (CRI)	>80

## StoreFlux gen3 rim

Beam angle of light source	120 degree(s)
Light source colour	830 warm white
Optic type	Wide beam
Luminaire light beam spread	36°
Unified Glare Rating (CEN)	22

### Operating and Electrical

Input Voltage	220 to 240 V
Line Frequency	50 to 60 Hz
Inrush current	9.92 A
Inrush time	230 ms
Power Consumption	39 W
Power Factor (Fraction)	0.9
Connection	2 push-in connectors 2-pole
Cable	-
Number of products on MCB (16 A type B)	65
Suitable for random switching	No
Protection class IEC	Safety class II
Total harmonic distortion	20 %

### Controls and Dimming

Dimmable	Yes
Driver/power unit/transformer	Power supply unit external (On/Off)
Control interface	-
Constant light output	No
Maximum dim level	Not applicable

### Mechanical and Housing

Housing material	Aluminium
Reflector material	Aluminium and polycarbonate
Optic material	Aluminium and polycarbonate
Optical cover/lens material	-
Fixation material	-
Housing Colour	White
Optical cover/lens finish	-
Overall length	326 mm
Overall width	179 mm
Overall height	160 mm
Overall diameter	0 mm
Dimensions (height x width x depth)	160 x 179 x 326 mm
Ingress protection code	IP20 [Finger-protected]
Mech. impact protection code	IK02 [0.2 J standard]
Net Weight (Piece)	2.500 kg

### Approval and Application

Glow-wire test	Temperature 650 °C, duration 30 s
Flammability mark	For mounting on normally flammable surfaces
CE mark	Yes

ENEC mark	ENEC mark
Photobiological risk	Photobiological risk group 1 @200mm to EN62778
Photobiological risk specification	0.2 m
EU RoHS compliant	Yes
Performance ambient temperature Tq	25 °C
Flickering value (PstLM)	1
Stroboscopic effect	0.5
Ambient temperature range	+10 to +35 °C

### Initial Performance (IEC Compliant)

Luminous flux tolerance	+/-10%
Initial chromaticity	(0.434,0.403)<2
Power consumption tolerance	+/-10%
Standard Deviation of Colour Matching (McAdam ellipse)	SDCM≤2

### Over Time Performance (IEC Compliant)

Control gear failure rate at median useful life 50,000 h	5 %
Control gear failure rate at median useful life 100,000 h	3.1 %
Lumen maintenance (EN-IEC 62722-2-1) at median useful life* 50000 h	L90
Lumen maintenance (EN-IEC 62722-2-1) at median useful life* 100000 h	L85

### Sustainability Data

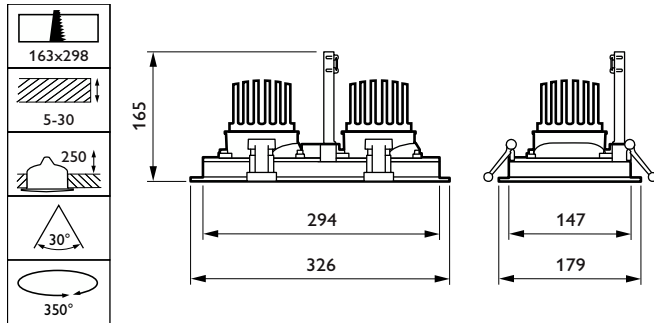
Sustainability rating	Signify Circle
Repair class	Repair Class B, the driver and light source of this luminaire can be replaced by a service technician. Parts and documentation are available for an extended period of time.

### Product Data

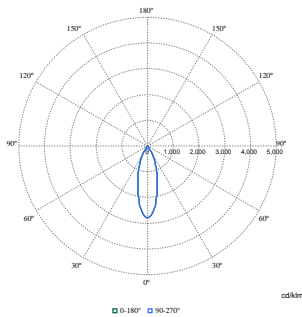
Order product name	GD622B 275/830 PSU-E WB WH
Full product name	GD622B 275/830 PSU-E WB WH
Full EOC	872016901224000
Order code	910505102205
Material no. (12 NC)	910505102205
Numerator – quantity per pack	1
EAN/UPC – Product/Case	8720169012240
Numerator – packs per outer box	1
EAN/UPC - Case	8720169012240
Product family code	GD622B [StoreFlux gen3]

# StoreFlux gen3 rim

## Dimensional drawing



## Photometric data



Polar Normal (separate) - GD601BI - 910505102205

