

# StoreFlux gen3 rim

## GD621B 17S/827 PSU-E WB FG BK

StoreFlux gen3 rim, Gridlight, single spot head, 11.8 W, 1650 lm, 2700 K, Wide beam, White, IP20

With StoreFlux, retailers can enjoy the superior quality of light and market-leading energy efficiency of PerfectAccent optics in a refined and neutral product design that nicely blends in store architecture. The StoreFlux gridlight can be equipped with up to three LED modules with PerfectAccent reflector system to deliver top-quality accent lighting that makes your shop and merchandise look great. StoreFlux, next to long service lifetime, also offers tool-free reflector replacement and easy access to driver for hassle free maintenance.

### Warnings and Safety

- The luminaire should be mounted outside of arm's reach. Manipulating the product when hot is only possible with an insulated glove
- The luminaire should be installed and disassembled by a qualified electrician and wired in accordance with the latest IEE electrical regulations or the national requirements
- All photometrical data is calculated without optional front glass. Flux should be reduced by 3.5% when using a front glass
- In case of no front glass lens, cleaning of the optic should only be done with pressurized air. Touching the LED or reflector is forbidden. For areas with high levels of dust, the use of the optional front glass is strongly advised, as it can then be easily cleaned with a (dry) microfiber cloth
- For multi-spot configurations, please use single configuration photometry and duplicate it as per the number of spots in given configuration.

### Product data

General Information		Lighting Technology	LED
Light source replaceable	No	Value ladder	Specification
Number of gear units	1 unit	Serviceability class	Class A, luminaire is equipped with serviceable parts (when applicable): LED board, driver, control units, surge
Driver included	Yes		
Service tag	Yes		

## StoreFlux gen3 rim

	protection device, optics, front cover and mechanical parts
Warranty period	5 years
Sustainability rating	Signify Circle

### Light Technical

Luminous Flux	1,650 lm
Correlated Color Temperature (Nom)	2700 K
Luminous Efficacy (rated) (Nom)	138 lm/W
Color rendering index (CRI)	>80
Beam angle of light source	120 degree(s)
Light source color	827 warm white
Optic type	Wide beam
Luminaire light beam spread	36°
Unified glare rating CEN	22

### Operating and Electrical

Input Voltage	220 to 240 V
Line Frequency	50 to 60 Hz
Inrush current	7.7 A
Inrush time	207 ms
Power Consumption	11.8 W
Power Factor (Fraction)	0.9
Connection	2 Push-in connector 2-pole
Cable	-
Number of products on MCB of 16 A type B	34
Suitable for random switching	No
Protection class IEC	Safety class II
Total harmonic distortion	20 %

### Controls and Dimming

Dimmable	No
Driver/power unit/transformer	Power supply unit external (On/Off)
Control interface	-
Constant light output	No
Maximum dim level	Not applicable

### Mechanical and Housing

Housing Material	Aluminum
Reflector material	Polycarbonate aluminum coated
Optic material	Aluminum and polycarbonate
Optical cover material	Tempered glass
Fixation material	-
Housing Color	White
Optical cover finish	Clear
Overall length	179 mm
Overall width	179 mm
Overall height	160 mm
Overall diameter	0 mm
Dimensions (Height x Width x Depth)	160 x 179 x 179 mm

Ingress protection code	IP20 [Finger-protected]
Mech. impact protection code	IK02 [0.2 J standard]
Net Weight (Piece)	1.500 kg

### Approval and Application

Glow-wire test	Temperature 650 °C, duration 30 s
Flammability mark	For mounting on normally flammable surfaces
CE mark	Yes
ENEC mark	ENEC mark
Photobiological risk	Photobiological risk group 1 @200mm to EN62778
Photobiological risk specification	0.2 m
EU RoHS compliant	Yes
Performance ambient temperature Tq	25 °C
Flickering value (PstLM) - Flickering value as per EN 61000-3-3	1
Stroboscopic effect visibility measure (SVM)	0.5
Ambient temperature range	+10 to +35 °C

### Initial Performance (IEC Compliant)

Luminous flux tolerance	+/-10%
Initial chromaticity	(0.458,0.410)<3
Power consumption tolerance	+/-10%
Standard Deviation of Colour Matching (McAdam ellipse)	SDCM≤3

### Over Time Performance (IEC Compliant)

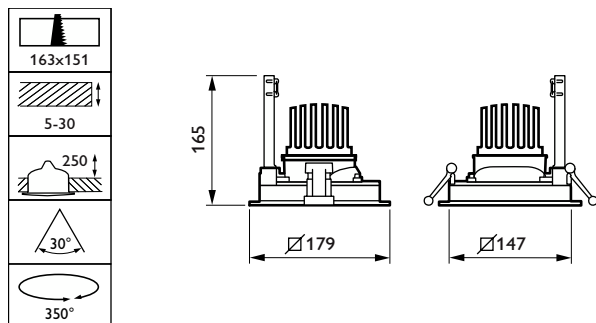
Control gear failure rate at median useful life 50000 h	5 %
Control gear failure rate at median useful life 100000 h	3.1 %
Lumen maintenance (EN-IEC 62722-2-1) at median useful life* 50000 h	L90
Lumen maintenance (EN-IEC 62722-2-1) at median useful life* 100000 h	L85

### Product Data

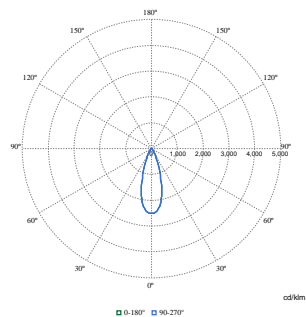
Order product name	GD621B 17S/827 PSU-E WB FG BK
Full product name	GD621B 17S/827 PSU-E WB FG BK
Full product code	872016901212700
Order code	910505102192
Material Nr. (12NC)	910505102192
Numerator - Quantity Per Pack	1
EAN/UPC - Product/Case	8720169012127
Numerator - Packs per outer box	1
EAN/UPC - Case	8720169012127
Product family code	GD621B [StoreFlux gen3]

# StoreFlux gen3 rim

## Dimensional drawing



## Photometric data



Polar Normal (separate) - GD601BI - 910505102192

