



LuxSpace square, recessed

DN572B LED20S/840UE DIA-VLC-E C WH

LuxSpace square, recessed, downlight, UltraEfficient, 12.8 W, 200x200 mm, 2200 lm, 4000 K, DALI, Interact Ready, UGR19, High-gloss reflector, VLC, IP20

downlight, 200x200 mm, Aluminum die cast, White, Signal white (RAL9003), Recessed, Dali dimming Interact System ready visual light communication enabled external, Visible light communication, 2200 lm, 12.8 W, 173 lm/W, 4000 K, (0.38, 0.38) SDCM <2, UGR19, High-gloss reflector, Polycarbonate, IP20 | Finger-protected, IK02 | 0.2 J standard, Safety class II, Push-in connector and pull relief

Product data

General Information	
Light source replaceable	No
Number of gear units	1 unit
Driver included	Yes
Service tag	Yes
Lighting Technology	LED
Mounting	Recessed
Value ladder	Specification
Warranty period	5 years
Light Technical	
Luminous Flux	2,200 lm
Correlated Color Temperature (Nom)	4000 K
Luminous Efficacy (rated) (Nom)	173 lm/W

Color rendering index (CRI)	>80
Light source color	840 neutral white
Optic type	-
Luminaire light beam spread	80°
Unified glare rating CEN	19
Operating and Electrical	
Input Voltage	220 to 240 V
Line Frequency	50 to 60 Hz
Inrush current	16 A
Inrush time	0.195 ms
Power Consumption	12.8 W
Power Factor (Fraction)	0.9
Connection	Push-in connector and pull relief

LuxSpace square, recessed

Cable	-
Number of products on MCB of 16 A type B	24
Suitable for random switching	Yes
Protection class IEC	Safety class II
Total harmonic distortion	20 %

Controls and Dimming

Dimmable	Yes
Driver/power unit/transformer	Dali dimming Interact System ready visual light communication enabled external
Control interface	DALI
Constant light output	No
DALI Standard	DALI-2™ with extended data: Parts 251/252/253
Maximum dim level	1%
Connectivity	Interact Ready
Embedded control	Visible light communication

Mechanical and Housing

Housing Material	Aluminum die cast
Reflector material	Polycarbonate aluminum coated
Optic material	Polycarbonate
Optical cover material	Polycarbonate
Fixation material	Steel
Housing Color	White
Optical cover finish	-
Reflector Finish	High-gloss reflector
Overall length	214 mm
Overall width	214 mm
Overall height	119 mm
Dimensions (Height x Width x Depth)	119 x 214 x 214 mm
Nominal ceiling cut-out length	200 mm
Nominal ceiling cut-out width	200 mm
Ingress protection code	IP20 [Finger-protected]
Mech. impact protection code	IK02 [0.2 J standard]
Mounting	Recessed
Net Weight (Piece)	1.500 kg

Approval and Application

Glow-wire test	Temperature 650 °C, duration 30 s
Flammability mark	For mounting on normally flammable surfaces
CE mark	Yes
ENEC mark	ENEC mark
EU RoHS compliant	Yes
Performance ambient temperature Tq	25 °C
Ambient temperature range	+10 to +25 °C

Initial Performance (IEC Compliant)

Luminous flux tolerance	+/-10%
-------------------------	--------

Initial chromaticity	(0.38, 0.38) SDCM <2
Power consumption tolerance	+/-10%
Standard Deviation of Colour Matching (McAdam ellipse)	SDCM≤2

Over Time Performance (IEC Compliant)

Control gear failure rate at median useful life 50000 h	5 %
Lumen maintenance (EN-IEC 62722-2-1) at median useful life* 50000 h	L90

Sustainability Data

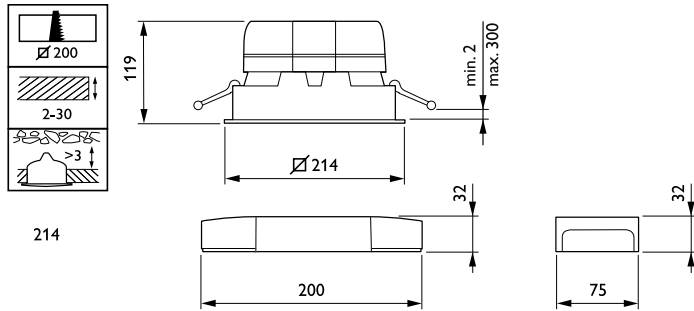
Sustainability rating	Unclassified
Repair class	Repair Class C, the driver of this luminaire can be replaced by a service technician. Special care is required during disassembly and reassembly, and specific tools may be required. Parts and documentation are available for a period of time.
Embedded carbon (A1-A3)	32.7 kg CO ₂ e
Product non-virgin material ratio	5.81 %
Recyclable content ratio of the finished product	39.8 %
GWP total B6 (kg CO ₂ eq) Declared Unit	Please calculate using your local energy mix value: Power Declared Unit (kW) * Service life (hrs) Declared Unit * Energy mix (kg CO ₂ eq / kWh)
GWP total B6 (kg CO ₂ eq) Functional Unit	Please calculate using your local energy mix value: Power Declared Unit (kW) * 1000 (lm) / lumen output (lm) Declared Unit * 35000 (hrs) * Energy mix (kg CO ₂ eq / kWh)
Non-virgin material ratio of the packaging	Cardboard > 80% recycled
Packaging Recyclable content ratio	Cardboard recycling rate > 80%
Packaging Material	Cardboard

Product Data

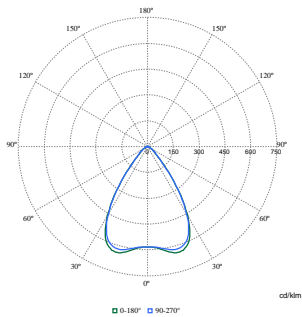
Order product name	DN572B LED20S/840UE DIA-VLC-E C WH
Full product name	DN572B LED20S/840UE DIA-VLC-E C WH
Full product code	871869997079600
Order code	97079600
Material Nr. (12NC)	910505100950
Numerator - Quantity Per Pack	1
EAN/UPC - Product/Case	8718699970796
Numerator - Packs per outer box	1
EAN/UPC - Case	8718699970796
Product family code	DN572B [LuxSpace2 Square]

LuxSpace square, recessed

Dimensional drawing



Photometric data



Polar Normal (separate) - DN572BI - 910505100950

