



LuxSpace square, recessed

DN572B LED20S/830UE PSU-E C WH

LuxSpace square, recessed, 13 W, 200x200 mm, 2100 lm, 3000 K, UGR19, High-gloss reflector, IP20

Customers are looking to optimize all their resources, and that means not just their running costs (energy, etc.) but also their human resources. Energy savings are therefore a priority, but they must not have an adverse effect on the well-being of employees, who need a pleasant environment in order to be more productive, or on customers, who want to enjoy their shopping experience. LuxSpace provides the perfect combination of efficiency, light comfort and design, without compromising on lighting performance (color rendering and color uniformity). It offers a wide choice of options for creating the desired ambience, no matter the application.

Product data

General Information	
Light source replaceable	No
Number of gear units	1 unit
Driver included	Yes
Service tag	Yes
Lighting Technology	
Lighting Technology	LED
Mounting	Recessed
Value ladder	Specification
Serviceability class	Class B, luminaire is equipped with some serviceable parts (when applicable): driver, control units, surge protection device, front cover and mechanical parts
Warranty period	5 years

Sustainability rating	Unclassified
Light Technical	
Luminous Flux	2,100 lm
Correlated Color Temperature (Nom)	3000 K
Luminous Efficacy (rated) (Nom)	163 lm/W
Color rendering index (CRI)	>80
Light source color	830 warm white
Optic type	-
Luminaire light beam spread	80°
Unified glare rating CEN	19

LuxSpace square, recessed

Operating and Electrical

Input Voltage	220 to 240 V
Line Frequency	50 to 60 Hz
Inrush current	16 A
Inrush time	0.195 ms
Power Consumption	13 W
Power Factor (Fraction)	0.9
Connection	Push-in connector and pull relief
Cable	-
Number of products on MCB of 16 A type B	65
Suitable for random switching	Yes
Protection class IEC	Safety class II
Total harmonic distortion	20 %

Controls and Dimming

Dimmable	No
Driver/power unit/transformer	Power supply unit external (On/Off)
Control interface	-
Constant light output	No

Mechanical and Housing

Housing Material	Aluminum die cast
Reflector material	Polycarbonate aluminum coated
Optic material	Polycarbonate
Optical cover material	Polycarbonate
Fixation material	Steel
Housing Color	White
Optical cover finish	-
Reflector Finish	High-gloss reflector
Overall length	214 mm
Overall width	214 mm
Overall height	119 mm
Dimensions (Height x Width x Depth)	119 x 214 x 214 mm
Ingress protection code	IP20 [Finger-protected]
Mech. impact protection code	IK02 [0.2 J standard]
Net Weight (Piece)	1.500 kg

Approval and Application

Glow-wire test	Temperature 650 °C, duration 30 s
Flammability mark	For mounting on normally flammable surfaces
CE mark	Yes
ENEC mark	ENEC mark
EU RoHS compliant	Yes
Performance ambient temperature Tq	25 °C
Ambient temperature range	+10 to +25 °C

Initial Performance (IEC Compliant)

Luminous flux tolerance	+/-10%
Initial chromaticity	(0.43, 0.40) SDCM <2
Power consumption tolerance	+/-10%
Standard Deviation of Colour Matching (McAdam ellipse)	SDCM≤2

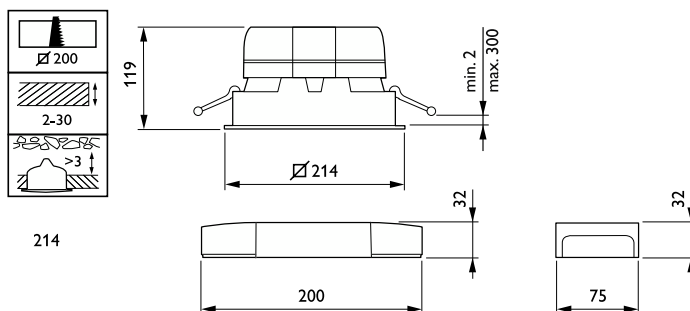
Over Time Performance (IEC Compliant)

Control gear failure rate at median useful life 50000 h	5 %
Lumen maintenance (EN-IEC 62722-2-1) at L90 median useful life* 50000 h	L90

Product Data

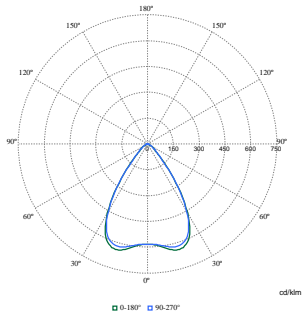
Order product name	DN572B LED20S/830UE PSU-E C WH
Full product name	DN572B LED20S/830UE PSU-E C WH
Full product code	871869997076500
Order code	910505100947
Material Nr. (12NC)	910505100947
Numerator - Quantity Per Pack	1
EAN/UPC - Product/Case	8718699970765
Numerator - Packs per outer box	1
EAN/UPC - Case	8718699970765
Product family code	DN572B [LuxSpace2 Square]

Dimensional drawing



LuxSpace square, recessed

Photometric data



Polar Normal (separate) - DN572BI - 910505100947

