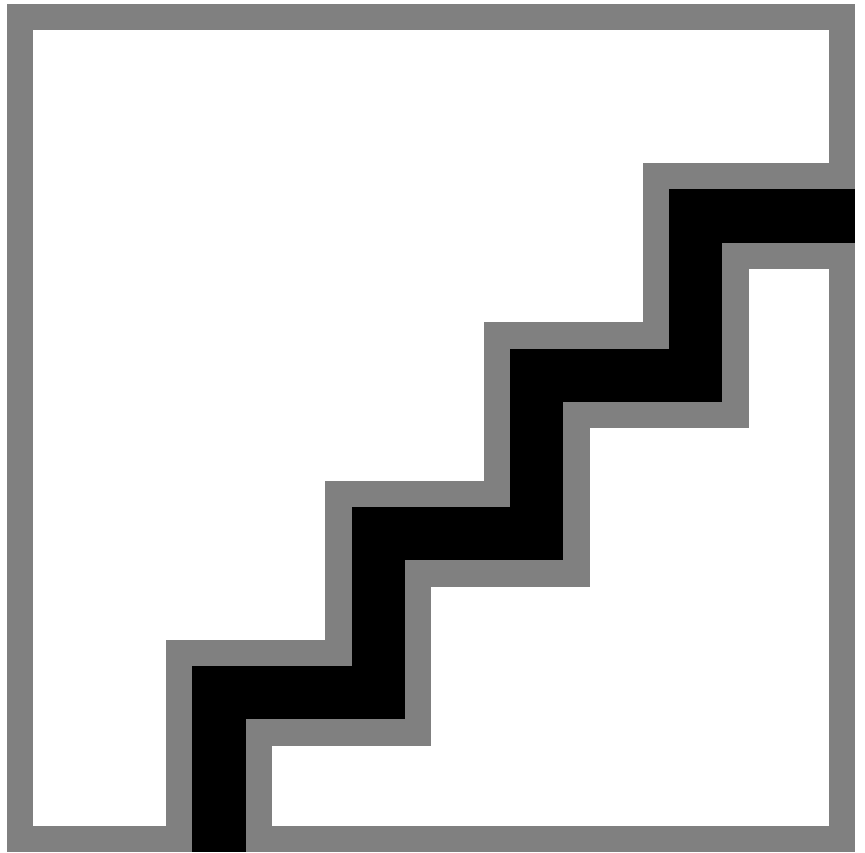




BDP102 LED70/830 DW  
PCF SI CLO 62P

910500991132



## TownGuide Performer, Urban road & street light, 54 W, 3584 lm, 3000 K, CRI80, Distribution wide, Safety class I, IP66, SRG6-6

Urban road & street light, Aluminum, Silver, Post-top for diameter 62 mm, Power supply unit regulating with constant light output, Constant light output, 3584 lm, 54 W, 72 lm/W, 3000 K, (0.43, 0.40) SDCM <5, CRI80, Distribution wide, IP66 | Dust penetration-protected, jet-proof, IK10 | 20 J vandal-resistant, Safety class I, Surge protection level until 6 kV differential mode and 6 kV common mode, Screw connection block 5-pole

## General Information

Lamp family code	LED70 [LED module 7000 lm]
Light source replaceable	Yes
Number of gear units	1 unit
Driver included	Yes
Light source engine type	LED
Service tag	Yes
Lighting Technology	LED
Value ladder	Performance
Warranty period	5 years

## Light Technical

Upward light output ratio	10
Luminous Flux	3,584 lm
Correlated Color Temperature (Nom)	3000 K
Luminous Efficacy (rated) (Nom)	72 lm/W
Color rendering index (CRI)	80
Number of light sources	8
Light source color	830 warm white
Luminaire light beam spread	50° x 70°
Optic type outdoor	Distribution wide
Effective projected area	0.088 m <sup>2</sup>

## Operating and Electrical

Input Voltage	220-240 V
Line Frequency	50 to 60 Hz
Initial CLO power consumption	50 W
Average CLO power consumption	52 W
End CLO power consumption	54 W
Inrush current	45 A
Inrush time	0.285 ms
Power Consumption	54 W
Power Factor (Fraction)	0.97
Connection	Screw connection block 5-pole
Cable	-
Number of products on MCB of 16 A type B	10

Protection class IEC	Safety class I
Surge Protection (Common/Differential)	Surge protection level until 6 kV differential mode and 6 kV common mode

## Controls and Dimming

Dimmable	No
Driver/power unit/transformer	Power supply unit regulating with constant light output
Control interface	-
Constant light output	Yes
Maximum dim level	Not applicable
Embedded control	Constant light output
Photocell	-

## Mechanical and Housing

Housing Material	Aluminum
Reflector material	-
Optic material	Acrylate
Optical cover material	Polycarbonate
Fixation material	Steel
Housing Color	Silver
Mounting device	Post-top for diameter 62 mm
Optical cover shape	Conical
Optical cover finish	Frosted
Overall length	570 mm
Overall width	570 mm
Overall height	317 mm
Overall diameter	570 mm
Dimensions (Height x Width x Depth)	317 x 570 x 570 mm
Parts color	All parts colored
Ingress protection code	IP66 [Dust penetration-protected, jet-proof]
Mech. impact protection code	IK10 [20 J vandal-resistant]
Standard tilt angle posttop	0°
Standard tilt angle side entry	-
Optical cover type	Polycarbonate bowl/cover frosted
Net Weight (Piece)	6.780 kg

## Approval and Application

Glow-wire test	Temperature 650 °C, duration 5 s
Flammability mark	-
CE mark	Yes
ENEC mark	ENEC mark
EU RoHS compliant	Yes
Performance ambient temperature Tq	25 °C
Ambient temperature range	-40 to +35 °C

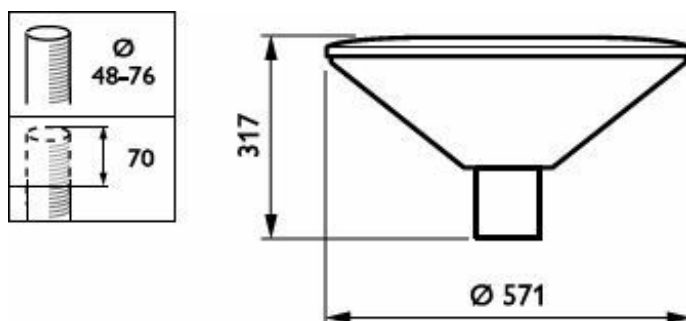
## Initial Performance (IEC Compliant)

Luminous flux tolerance	+/-7%
Initial chromaticity	(0.43, 0.40) SDCM <5
Power consumption tolerance	+/-10%
Init. Color Rendering Index Tolerance	+/-2
Standard Deviation of Colour Matching (McAdam ellipse)	SDCM≤5

## Over Time Performance (IEC Compliant)

Driver failure rate at 5000 h	0.5 %
Control gear failure rate at median useful life 50000 h	5 %
Control gear failure rate at median useful life 100000 h	10 %
Lumen maintenance (EN-IEC 62722-2-1) at median useful life* 50000 h	L96
Lumen maintenance (EN-IEC 62722-2-1) at median useful life* 100000 h	L91

## Dimensional drawing



## Sustainability Data

Sustainability rating	Unclassified
Repair class	Repair Class B, the driver and light source of this luminaire can be replaced by a service technician. Parts and documentation are available for an extended period of time.

## Product Data

Order product name	BDP102 LED70/830 DW PCF SI CLO 62P
Full product name	BDP102 LED70/830 DW PCF SI CLO 62P
Full product code	871829191071800
Order code	91071800
Material Nr. (12NC)	910500991132
Numerator - Quantity Per Pack	1
EAN/UPC - Product/Case	8718291910718
Numerator - Packs per outer box	1
EAN/UPC - Case	8718291910718
Product family code	BDP102 [TOWNGUIDE PERFORMER CLASSIC CONE]

