



TownGuide Performer

BDP102 LED35/830 DW PCF SI CLO 62P

TownGuide Performer, Urban road & street light, 27 W, 1947 lm, 3000 K, CRI80, Distribution wide, Safety class I, IP66, SRG6-6

The TownGuide Performer family consists of six recognizable, yet modern shapes: Flat Cone, Bowl, Classic Cone, Classic T, T and Tzero. Each luminaire has the option of a clear (PCC), translucent (PCTR) or frosted (PCF) bowl (except Tzero, which is only available with a clear bowl). With an extensive range of lumen packages, neutral white or warm white LED lights sources, and a range of dedicated optics for lower mounting heights, it's easy to select the version that best suits the specific requirements of your project. All this combined with a long life expectancy of 100,000 operating hours. In addition, TownGuide Performer has a variety of control system options that can make this luminaire an integral part of smart energy-reduction programs. This includes LumiStep, DynaDimmer, and LineSwitch stand-alone dim control, and Coded Mains group control, right up to seamless remote connectivity with Interact lighting management software. Installation is easy. Thanks to the bayonet whistle connector with integrated gland located in the spigot, there's no need to open the luminaire for installation. The Signify Service tag app offers direct access to all relevant data, ensuring maintenance is easy too. We have made every effort to make the Total Cost of Ownership (TCO) of the luminaire as attractive as possible. And as TownGuide Performer is a dedicated LED luminaire, compatible with a variety of control systems, there are significant energy and maintenance cost savings compared with conventional lighting.

Product data

General information			
Lamp family code	LED35 [LED module 3500 lm]	Light source engine type	LED
Light source replaceable	Yes	Service tag	Yes
Number of gear units	1 unit	Lighting Technology	LED
Driver included	Yes	Value ladder	Performance

TownGuide Performer

Serviceability class	Class A, luminaire is equipped with serviceable parts (when applicable): LED board, driver, control units, surge protection device, optics, front cover and mechanical parts
Warranty period	5 years
Sustainability rating	Unclassified

Light Technical

Upward light output ratio	10
Luminous Flux	1,947 lm
Correlated Color Temperature (Nom)	3000 K
Luminous Efficacy (rated) (Nom)	75 lm/W
Color rendering index (CRI)	80
Number of light sources	4
Light source color	830 warm white
Luminaire light beam spread	50° x 70°
Optic type outdoor	Distribution wide
Effective projected area	0.088 m ²

Operating and Electrical

Input Voltage	220-240 V
Line Frequency	50 to 60 Hz
Initial CLO power consumption	26 W
Average CLO power consumption	26.5 W
End CLO power consumption	27 W
Inrush current	22 A
Inrush time	0.29 ms
Power Consumption	27 W
Power Factor (Fraction)	0.97
Connection	Screw connection block 5-pole
Cable	-
Number of products on MCB of 16 A type B	26
Protection class IEC	Safety class I
Surge Protection (Common/Differential)	Surge protection level until 6 kV differential mode and 6 kV common mode

Controls and Dimming

Dimmable	No
Driver/power unit/transformer	Power supply unit regulating with constant light output
Control interface	-
Constant light output	Yes
Maximum dim level	Not applicable
Embedded control	Constant light output
Photocell	-

Mechanical and Housing

Housing Material	Aluminum
Reflector material	-
Optic material	Acrylate

Optical cover material	Polycarbonate
Fixation material	Steel
Housing Color	Silver
Mounting device	Post-top for diameter 62 mm
Optical cover shape	Conical
Optical cover finish	Frosted
Overall length	570 mm
Overall width	570 mm
Overall height	317 mm
Overall diameter	570 mm
Dimensions (Height x Width x Depth)	317 x 570 x 570 mm
Parts color	All parts colored
Ingress protection code	IP66 [Dust penetration-protected, jet-proof]
Mech. impact protection code	IK10 [20 J vandal-resistant]
Standard tilt angle posttop	0°
Standard tilt angle side entry	-
Optical cover type	Polycarbonate bowl/cover frosted
Net Weight (Piece)	6.680 kg

Approval and Application

Glow-wire test	Temperature 650 °C, duration 5 s
Flammability mark	-
CE mark	Yes
ENEC mark	ENEC mark
EU RoHS compliant	Yes
Performance ambient temperature Tq	25 °C
Ambient temperature range	-40 to +35 °C

Initial Performance (IEC Compliant)

Luminous flux tolerance	+/-7%
Initial chromaticity	(0.43, 0.40) SDCM <5
Power consumption tolerance	+/-10%
Init. Color Rendering Index Tolerance	+/-2
Standard Deviation of Colour Matching (McAdam ellipse)	SDCM≤5

Over Time Performance (IEC Compliant)

Driver failure rate at 5000 h	0.5 %
Control gear failure rate at median useful life 50000 h	5 %
Control gear failure rate at median useful life 100000 h	10 %
Lumen maintenance (EN-IEC 62722-2-1) at median useful life* 50000 h	L98
Lumen maintenance (EN-IEC 62722-2-1) at median useful life* 100000 h	L95

Product Data

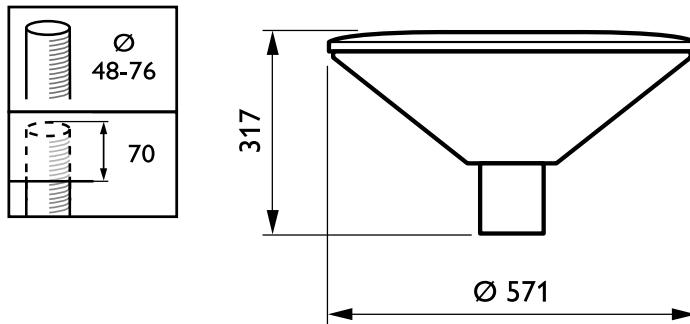
Order product name	BDP102 LED35/830 DW PCF SI CLO 62P
Full product name	BDP102 LED35/830 DW PCF SI CLO 62P
Full product code	871829191069500

TownGuide Performer

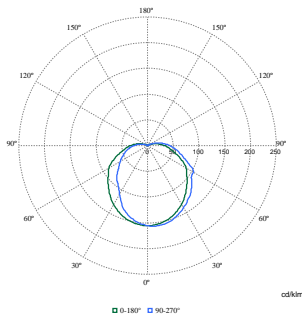
Order code	910500991130
Material Nr. (12NC)	910500991130
Numerator - Quantity Per Pack	1
EAN/UPC - Product/Case	8718291910695
Numerator - Packs per outer box	1

EAN/UPC - Case	8718291910695
Product family code	BDP102 [TOWNGUIDE PERF CLASSIC CONE]

Dimensional drawing



Photometric data



Polar Normal (separate) - BDP1001 - 910500991223

