



TownGuide Performer

BDP102 LED60/830 II DS PCC SI LS-6 62P

TownGuide Performer, Urban road & street light, 47 W, 4740 lm, 3000 K, CRI80, Distribution symmetrical, Safety class II, IP66, SRG6-6

The TownGuide Performer family consists of six recognizable, yet modern shapes: Flat Cone, Bowl, Classic Cone, Classic T, T and Tzero. Each luminaire has the option of a clear (PCC), translucent (PCTR) or frosted (PCF) bowl (except Tzero, which is only available with a clear bowl). With an extensive range of lumen packages, neutral white or warm white LED lights sources, and a range of dedicated optics for lower mounting heights, it's easy to select the version that best suits the specific requirements of your project. All this combined with a long life expectancy of 100,000 operating hours. In addition, TownGuide Performer has a variety of control system options that can make this luminaire an integral part of smart energy-reduction programs. This includes LumiStep, DynaDimmer, and LineSwitch stand-alone dim control, and Coded Mains group control, right up to seamless remote connectivity with Interact lighting management software. Installation is easy. Thanks to the bayonet whistle connector with integrated gland located in the spigot, there's no need to open the luminaire for installation. The Signify Service tag app offers direct access to all relevant data, ensuring maintenance is easy too. We have made every effort to make the Total Cost of Ownership (TCO) of the luminaire as attractive as possible. And as TownGuide Performer is a dedicated LED luminaire, compatible with a variety of control systems, there are significant energy and maintenance cost savings compared with conventional lighting.

Product data

General Information		Number of gear units	
Lamp family code	LED60 [LED module 6000 lm]	Driver included	1 unit
Light source replaceable	Yes	Light source engine type	Yes
			LED

TownGuide Performer

Service tag	Yes
Lighting Technology	LED
Value ladder	Performance
Warranty period	5 years

Light Technical

Upward light output ratio	3
Luminous Flux	4,740 lm
Correlated Color Temperature (Nom)	3000 K
Luminous Efficacy (rated) (Nom)	101 lm/W
Color rendering index (CRI)	80
Number of light sources	4
Light source color	830 warm white
Luminaire light beam spread	75°
Optic type outdoor	Distribution symmetrical
Effective projected area	0.088 m²

Operating and Electrical

Input Voltage	220-240 V
Line Frequency	50 to 60 Hz
Inrush current	45 A
Inrush time	0.285 ms
Power Consumption	47 W
Power Factor (Fraction)	0.97
Connection	Screw connection block 5-pole
Cable	-
Number of products on MCB of 16 A type B	10
Protection class IEC	Safety class II
Surge Protection (Common/Differential)	Surge protection level until 6 kV differential mode and 6 kV common mode

Controls and Dimming

Dimmable	Yes
Driver/power unit/transformer	Power supply unit with DynaDimmer
Control interface	-
Constant light output	No
Maximum dim level	50%
Embedded control	LumiStep dimming 6 hours
Photocell	-

Mechanical and Housing

Housing Material	Aluminum
Reflector material	-
Optic material	Acrylate
Optical cover material	Polycarbonate
Fixation material	Steel
Housing Color	Silver
Mounting device	Post-top for diameter 62 mm
Optical cover shape	Conical
Optical cover finish	Clear
Overall length	570 mm

Overall width	570 mm
Overall height	317 mm
Overall diameter	570 mm
Dimensions (Height x Width x Depth)	317 x 570 x 570 mm
Parts color	All parts colored
Ingress protection code	IP66 [Dust penetration-protected, jet-proof]
Mech. impact protection code	IK10 [20 J vandal-resistant]
Standard tilt angle posttop	0°
Standard tilt angle side entry	-
Optical cover type	Polycarbonate bowl/cover clear
Net Weight (Piece)	6.780 kg

Approval and Application

Glow-wire test	Temperature 650 °C, duration 5 s
Flammability mark	-
CE mark	Yes
ENEC mark	ENEC mark
EU RoHS compliant	Yes
Performance ambient temperature Tq	25 °C
Ambient temperature range	-40 to +35 °C

Initial Performance (IEC Compliant)

Luminous flux tolerance	+/-7%
Initial chromaticity	(0.43, 0.40) SDCM <5
Power consumption tolerance	+/-10%
Init. Color Rendering Index Tolerance	+/-2
Standard Deviation of Colour Matching (McAdam ellipse)	SDCM≤5

Over Time Performance (IEC Compliant)

Driver failure rate at 5000 h	0.5 %
Control gear failure rate at median useful life 50000 h	5 %
Control gear failure rate at median useful life 100000 h	10 %
Lumen maintenance (EN-IEC 62722-2-1) at median useful life* 50000 h	L97
Lumen maintenance (EN-IEC 62722-2-1) at median useful life* 100000 h	L93

Sustainability Data

Sustainability rating	Unclassified
-----------------------	--------------

Product Data

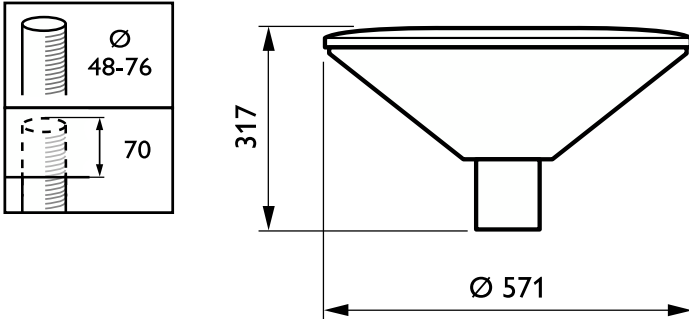
Order product name	BDP102 LED60/830 II DS PCC SI LS-6 62P
Full product name	BDP102 LED60/830 II DS PCC SI LS-6 62P
Full product code	871829191040400
Order code	910500991101
Material Nr. (12NC)	910500991101

TownGuide Performer

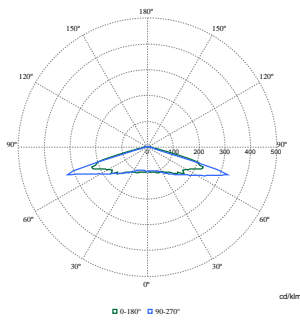
Numerator - Quantity Per Pack	1
EAN/UPC - Product/Case	8718291910404
Numerator - Packs per outer box	1
EAN/UPC - Case	8718291910404

Product family code	BDP102 [TOWNGUIDE PERF CLASSIC CONE]
---------------------	--------------------------------------

Dimensional drawing



Photometric data



Polar Normal (separate) - BDP100I - 910500991101

