



# TownGuide Performer

## BDP102 LED60/740 II DW PCF SI LS-6 62P

TownGuide Performer, Urban road & street light, 39 W, 3300 lm, 4000 K, CRI70, Distribution wide, Safety class II, IP66, SRG6-6

The TownGuide Performer family consists of six recognizable, yet modern shapes: Flat Cone, Bowl, Classic Cone, Classic T, T and Tzero. Each luminaire has the option of a clear (PCC), translucent (PCTR) or frosted (PCF) bowl (except Tzero, which is only available with a clear bowl). With an extensive range of lumen packages, neutral white or warm white LED lights sources, and a range of dedicated optics for lower mounting heights, it's easy to select the version that best suits the specific requirements of your project. All this combined with a long life expectancy of 100,000 operating hours. In addition, TownGuide Performer has a variety of control system options that can make this luminaire an integral part of smart energy-reduction programs. This includes LumiStep, DynaDimmer, and LineSwitch stand-alone dim control, and Coded Mains group control, right up to seamless remote connectivity with Interact lighting management software. Installation is easy. Thanks to the bayonet whistle connector with integrated gland located in the spigot, there's no need to open the luminaire for installation. The Signify Service tag app offers direct access to all relevant data, ensuring maintenance is easy too. We have made every effort to make the Total Cost of Ownership (TCO) of the luminaire as attractive as possible. And as TownGuide Performer is a dedicated LED luminaire, compatible with a variety of control systems, there are significant energy and maintenance cost savings compared with conventional lighting.

### Product data

General information		Light source engine type	
Lamp family code	LED60 [LED module 6000 lm]	Service tag	Yes
Light source replaceable	Yes	Lighting Technology	LED
Number of gear units	1 unit	Value ladder	Performance
Driver included	Yes		

# TownGuide Performer

<b>Serviceability class</b>	Class A, luminaire is equipped with serviceable parts (when applicable): LED board, driver, control units, surge protection device, optics, front cover and mechanical parts
<b>Warranty period</b>	5 years
<b>Sustainability rating</b>	Unclassified

## Light Technical

<b>Upward light output ratio</b>	10
<b>Luminous Flux</b>	3,300 lm
<b>Correlated Color Temperature (Nom)</b>	4000 K
<b>Luminous Efficacy (rated) (Nom)</b>	85 lm/W
<b>Color rendering index (CRI)</b>	70
<b>Number of light sources</b>	4
<b>Light source color</b>	740 neutral white
<b>Luminaire light beam spread</b>	50° x 70°
<b>Optic type outdoor</b>	Distribution wide
<b>Effective projected area</b>	0.088 m <sup>2</sup>

## Operating and Electrical

<b>Input Voltage</b>	220-240 V
<b>Line Frequency</b>	50 to 60 Hz
<b>Inrush current</b>	45 A
<b>Inrush time</b>	0.285 ms
<b>Power Consumption</b>	39 W
<b>Power Factor (Fraction)</b>	0.97
<b>Connection</b>	Screw connection block 5-pole
<b>Cable</b>	-
<b>Number of products on MCB of 16 A type B</b>	10
<b>Protection class IEC</b>	Safety class II
<b>Surge Protection (Common/Differential)</b>	Surge protection level until 6 kV differential mode and 6 kV common mode

## Controls and Dimming

<b>Dimmable</b>	Yes
<b>Driver/power unit/transformer</b>	Power supply unit with DynaDimmer
<b>Control interface</b>	-
<b>Constant light output</b>	No
<b>Maximum dim level</b>	50%
<b>Embedded control</b>	LumiStep dimming 6 hours
<b>Photocell</b>	-

## Mechanical and Housing

<b>Housing Material</b>	Aluminum
<b>Reflector material</b>	-
<b>Optic material</b>	Acrylate
<b>Optical cover material</b>	Polycarbonate
<b>Fixation material</b>	Steel
<b>Housing Color</b>	Silver
<b>Mounting device</b>	Post-top for diameter 62 mm
<b>Optical cover shape</b>	Conical

<b>Optical cover finish</b>	Frosted
<b>Overall length</b>	570 mm
<b>Overall width</b>	570 mm
<b>Overall height</b>	317 mm
<b>Overall diameter</b>	570 mm
<b>Dimensions (Height x Width x Depth)</b>	317 x 570 x 570 mm
<b>Parts color</b>	All parts colored
<b>Ingress protection code</b>	IP66 [Dust penetration-protected, jet-proof]
<b>Mech. impact protection code</b>	IK10 [20 J vandal-resistant]
<b>Standard tilt angle posttop</b>	0°
<b>Standard tilt angle side entry</b>	-
<b>Optical cover type</b>	Polycarbonate bowl/cover frosted
<b>Net Weight (Piece)</b>	6.780 kg

## Approval and Application

<b>Glow-wire test</b>	Temperature 650 °C, duration 5 s
<b>Flammability mark</b>	-
<b>CE mark</b>	Yes
<b>ENEC mark</b>	ENEC mark
<b>EU RoHS compliant</b>	Yes
<b>Performance ambient temperature Tq</b>	25 °C
<b>Ambient temperature range</b>	-40 to +35 °C

## Initial Performance (IEC Compliant)

<b>Luminous flux tolerance</b>	+/-7%
<b>Initial chromaticity</b>	(0.38, 0.38) SDCM <5
<b>Power consumption tolerance</b>	+/-10%
<b>Init. Color Rendering Index Tolerance</b>	+/-2
<b>Standard Deviation of Colour Matching (McAdam ellipse)</b>	SDCM≤5

## Over Time Performance (IEC Compliant)

<b>Driver failure rate at 5000 h</b>	0.5 %
<b>Control gear failure rate at median useful life 50000 h</b>	5 %
<b>Control gear failure rate at median useful life 100000 h</b>	10 %
<b>Lumen maintenance (EN-IEC 62722-2-1) at median useful life* 50000 h</b>	L98
<b>Lumen maintenance (EN-IEC 62722-2-1) at median useful life* 100000 h</b>	L95

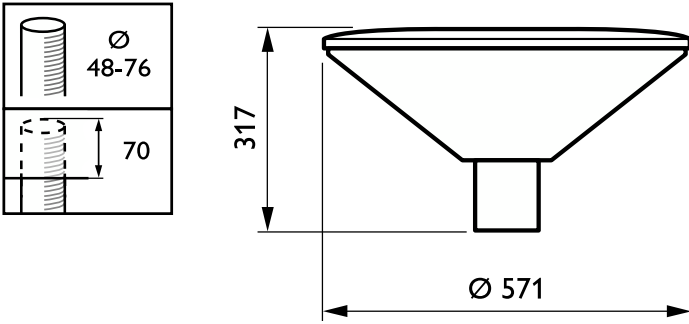
## Product Data

<b>Order product name</b>	BDP102 LED60/740 II DW PCF SI LS-6 62P
<b>Full product name</b>	BDP102 LED60/740 II DW PCF SI LS-6 62P
<b>Full product code</b>	871829191025100
<b>Order code</b>	910500991085
<b>Material Nr. (12NC)</b>	910500991085
<b>Numerator - Quantity Per Pack</b>	1

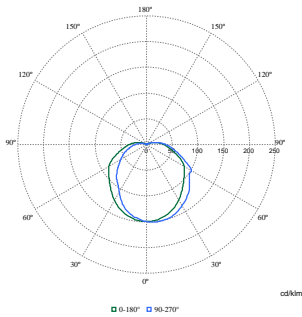
# TownGuide Performer

EAN/UPC - Product/Case	8718291910251
Numerator - Packs per outer box	1
EAN/UPC - Case	8718291910251
Product family code	BDP102 [TOWNGUIDE PERF CLASSIC CONE]

## Dimensional drawing



## Photometric data



Polar Normal (separate) - BDP100I - 910500991085

