



TownGuide Performer, Urban road & street light, 32.5 W, 3116 lm, 3000 K, CRI80, Programmable (via DALI or NFC) stand-alone dimming, Distribution wide, Safety class II, IP66, SRG6-6

Urban road & street light, Aluminum, Silver, Post-top for diameter 62 mm, Power supply unit with DynaDimmer and constant light output (integrated), Constant light output and DynaDimmer fixed presets version 1, 3116 lm, 32.5 W, 102 lm/W, 3000 K, (0.43, 0.40) SDCM <5, CRI80, Distribution wide, IP66 | Dust penetration-protected, jet-proof, IK10 | 20 J vandal-resistant, Safety class II, Surge protection level until 6 kV differential mode and 6 kV common mode, Screw connection block 5-pole

General Information

Lamp family code	LED40 [LED module 4000 lm]
Light source replaceable	Yes
Number of gear units	1 unit
Driver included	Yes
Light source engine type	LED
Service tag	Yes
Lighting Technology	LED
Value ladder	Performance
Warranty period	5 years

Light Technical

Upward light output ratio	3
Luminous Flux	3,116 lm
Correlated Color Temperature (Nom)	3000 K
Luminous Efficacy (rated) (Nom)	102 lm/W
Color rendering index (CRI)	80
Number of light sources	4
Light source color	830 warm white
Luminaire light beam spread	50° x 70°
Optic type outdoor	Distribution wide
Effective projected area	0.088 m ²

Operating and Electrical

Input Voltage	220-240 V
Line Frequency	50 to 60 Hz
Initial CLO power consumption	30.5 W
Average CLO power consumption	31.5 W
End CLO power consumption	32.5 W
Inrush current	45 A
Inrush time	0.285 ms
Power Consumption	32.5 W
Power Factor (Fraction)	0.94
Connection	Screw connection block 5-pole
Cable	-
Number of products on MCB of 16 A type B	10

Protection class IEC	Safety class II
Surge Protection (Common/Differential)	Surge protection level until 6 kV differential mode and 6 kV common mode

Controls and Dimming

Dimmable	Yes
Driver/power unit/transformer	Power supply unit with DynaDimmer and constant light output (integrated)
Control interface	Programmable (via DALI or NFC) stand-alone dimming
Constant light output	Yes
Maximum dim level	50%
Embedded control	Constant light output and DynaDimmer fixed presets version 1
Photocell	-

Mechanical and Housing

Housing Material	Aluminum
Reflector material	-
Optic material	Acrylate
Optical cover material	Polycarbonate
Fixation material	Steel
Housing Color	Silver
Mounting device	Post-top for diameter 62 mm
Optical cover shape	Conical
Optical cover finish	Clear
Overall length	570 mm
Overall width	570 mm
Overall height	317 mm
Overall diameter	570 mm
Dimensions (Height x Width x Depth)	317 x 570 x 570 mm
Parts color	All parts colored
Ingress protection code	IP66 [Dust penetration-protected, jet-proof]
Mech. impact protection code	IK10 [20 J vandal-resistant]
Standard tilt angle posttop	0°
Standard tilt angle side entry	-
Optical cover type	Polycarbonate bowl/cover clear
Net Weight (Piece)	6.680 kg

Approval and Application

Glow-wire test	Temperature 650 °C, duration 5 s
Flammability mark	-
CE mark	Yes
ENEC mark	ENEC mark
EU RoHS compliant	Yes
Performance ambient temperature Tq	25 °C
Ambient temperature range	-40 to +35 °C

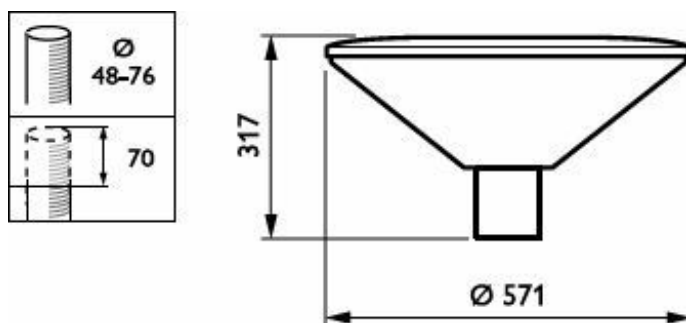
Initial Performance (IEC Compliant)

Luminous flux tolerance	+/-7%
Initial chromaticity	(0.43, 0.40) SDCM <5
Power consumption tolerance	+/-10%
Init. Color Rendering Index Tolerance	+/-2
Standard Deviation of Colour Matching (McAdam ellipse)	SDCM≤5

Over Time Performance (IEC Compliant)

Driver failure rate at 5000 h	0.5 %
Control gear failure rate at median useful life 50000 h	5 %
Control gear failure rate at median useful life 100000 h	10 %
Lumen maintenance (EN-IEC 62722-2-1) at median useful life* 50000 h	L97
Lumen maintenance (EN-IEC 62722-2-1) at median useful life* 100000 h	L94

Dimensional drawing



Sustainability Data

Sustainability rating	Unclassified
Repair class	Repair Class B, the driver and light source of this luminaire can be replaced by a service technician. Parts and documentation are available for an extended period of time.
Non-virgin material ratio of the packaging	Cardboard > 80% recycled
Packaging Recyclable content ratio	Cardboard recycling rate > 80%
Packaging Material	Cardboard

Product Data

Order product name	BDP102 LED40/830 II DW PCC SI CLO-DDF1 6
Full product name	BDP102 LED40/830 II DW PCC SI CLO-DDF1 6
Full product code	871829190620900
Order code	910500991021
Material Nr. (12NC)	910500991021
Numerator - Quantity Per Pack	1
EAN/UPC - Product/Case	8718291906209
Numerator - Packs per outer box	1
EAN/UPC - Case	8718291906209
Product family code	BDP102 [TOWNGUIDE PERFORMER CLASSIC CONE]

