



The ALKCO UV-C indirect wall utilizes Philips UV-C technology to continuously treat the air to reduce airborne pathogens.* UV-C can play an important role in a broad range of applications such as schools, offices, industry, (food) retail and museums.

Project: _____
 Location: _____
 Cat.No: _____
 Type: _____
 Lamps: _____ Qty: _____
 Notes: _____

Ordering guide

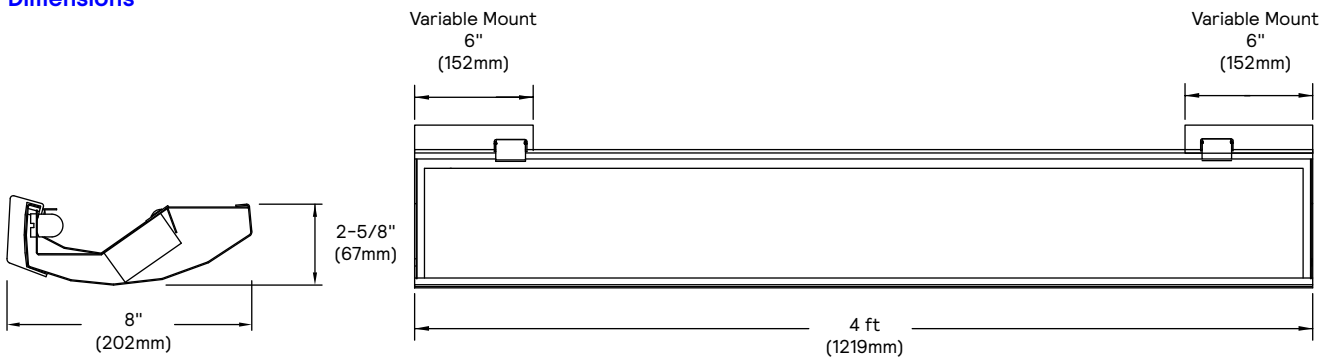
Example: UIW120-UNV-1/1-EB

Family	Lamp Quantity	Lamp Type/Wattage	Voltage	Ballast
UIW	1	20 -	UNV	1/1-EB
UIW UV-C indirect wall	1 One lamp	20 20W T5 Philips TUV	UNV Universal voltage 120-277V	1/1-EB One 1 lamp electronic ballast

General Notes

- All options factory installed.
- All accessories are field installed.
- Lamps are included with luminaire but shipped separately.

Dimensions



Mounting height

7' mounting to bottom of fixture.

* Alkco's wall mount and ceiling mount upper air UV-C luminaires were tested for SARS-CoV-2 in Innovative Bioanalysis Lab. The wall-mounted luminaire achieved 99.9% reduction in 10 minutes and the ceiling mount luminaire achieved 92.6% reduction in 20 minutes. The luminaires were also tested for Escherichia coli in Intertek Lab. Both luminaires achieved 99.9% reduction in 45 minutes.



UV-C indirect wall

1 lamp T5 Philips TUV

UV-C

- This UV-C product is intended to be used for the treatment of air except for in medical locations.
- Philips TUV T5 lamps produce a peak output at 253.7nm.

Construction/Finish

- Precision formed 18 gauge cold-rolled steel housing.
- Diecast aluminum endcaps.
- High quality powder coated finish in matte white.
- Specular aluminum reflector.
- Electronic ballast.
- Lamps are included with luminaire but shipped separately.

Disclaimer

Signify and its group of companies do not promise or warrant that the use of the products will protect or prevent any user from infection and/or contamination with any viruses, bacteria, protozoa, fungi, illness or disease. The products are not approved for, are not intended and must not be used as medical devices. In addition to and without limitation of any exclusions or limitations of liability of Signify and its group of companies as set forth in any agreement for the sale, distribution or otherwise making available of the products, Signify shall have no responsibility or liability whatsoever for any claim or damage that may arise from or relate to any use of the Products outside of their intended use or contrary to their installation and operation instructions, each as described in the Documentation.

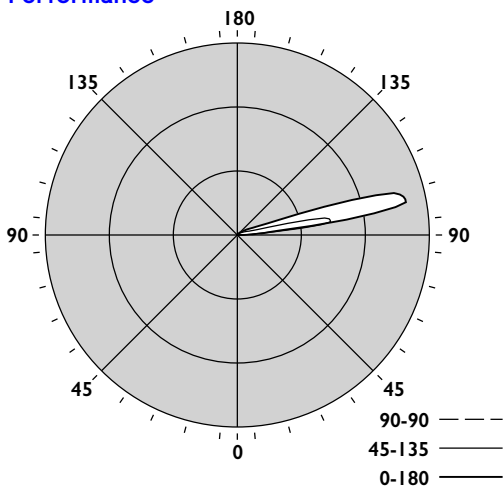
Warnings and Cautions

- This UV-C product is not approved and/or certified as a medical device.
- This UV-C product cannot be used to treat the surfaces of medical devices (such as medical devices in a room, surgical masks and/or surgical respirators). The device cannot be used in medical settings. The device cannot be used for treatment of human skin.
- UV-C radiation can damage the human eye and can cause severe sunburn-like reaction to human skin.
- UV-C can have adverse affects on organics such as plants and animals.
- UV-C radiation may damage or discolor materials such as plastics and rubber, among others.
- UV-C products should be installed and maintained by a trained technician following installation instructions and user manual.

Warranty

- 1 year limited warranty (signify.com/warranties)

Performance



UIW120-UNV-1/1-EB (1 Lamp)

Lamp Type	20W T5 TUV
Input Watts	17.5
Irradiance (mW)	265.4



© 2021 Signify Holding. All rights reserved. The information provided herein is subject to change, without notice. Signify does not give any representation or warranty as to the accuracy or completeness of the information included herein and shall not be liable for any action in reliance thereon. The information presented in this document is not intended as any commercial offer and does not form part of any quotation or contract, unless otherwise agreed by Signify.

Signify North America Corporation
200 Franklin Square Drive,
Somerset, NJ 08873
Telephone 855-486-2216

Signify Canada Ltd.
281 Hillmount Road,
Markham, ON, Canada L6C 2S3
Telephone 800-668-9008

All trademarks are owned by Signify Holding or their respective owners.