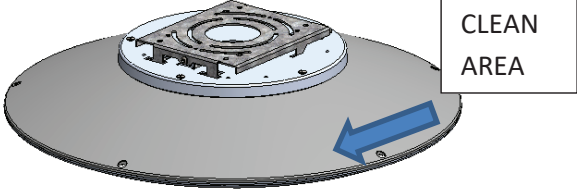
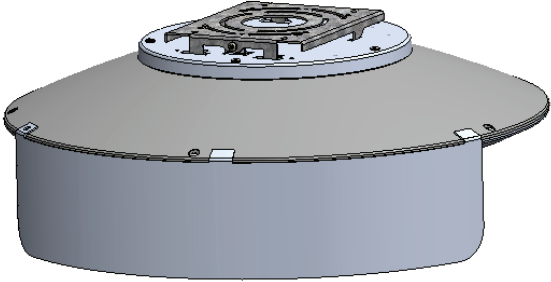
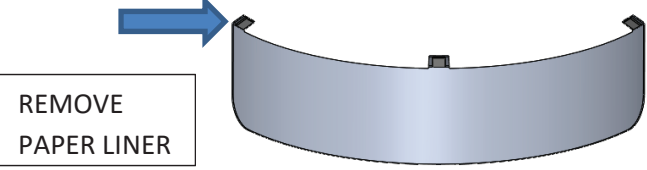
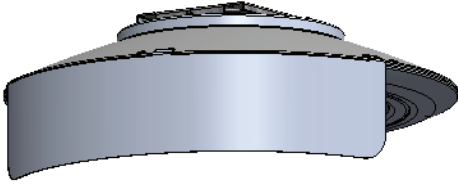
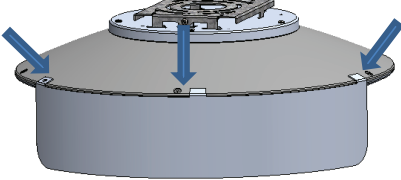


INSTALLATION INSTRUCTIONS

SOFTVIEW – HOUSE SIDE SHIELD

TOOLS AND MATERIAL REQUIRED:

- GLASS CLEANER
- PAPER TOWEL

<p>REMOVE HOUSE SIDE SHIELD FROM PACKAGING AND BAG. CLEAN THE TOP OF THE FIXTURE'S UPPER HOUSING WITH GLASS CLEANER OR RUBBING ALCOHOL.</p>	
<p>POSITION THE SHIELD FOR ASSEMBLY BEFORE REMOVING THE ADHESIVE TAPE LINER. DO NOT COVER ACCESS TO SCREW HEADS.</p>	
<p>AFTER NOTING THE POSITION OF THE SHIELD, REMOVE THE PAPER LINER ON THE THREE TABS.</p>	
<p>PLACE SHIELD ON THE UPPER LENS SO THAT THE THREE TABS ADHERE TO THE LENS AND THE SHIELD HANGS DOWN.</p>	
<p>PRESS SHIELD TABS ONTO THE LENS. APPLY PRESSURE FOR 20 SECONDS EACH TAB WITH MODERATE FORCE</p>	
<p>IMPORTANT: Read carefully before installing. All work should be performed by a qualified Electrician. These instructions may not provide directions to cover every variation and detail. To obtain additional information, consult your vendor or contact the factory directly for assistance before attempting anything with uncertainty. Improper installation and/or utilization may void manufacturer's warranty.</p> <p>This fixture must be grounded in accordance with local codes and the NATIONAL ELECTRIC CODE. Failure to do so may result in serious personal injury. LED luminaires should be operated on grounded systems only.</p> <p>CAUTION: Make sure all power is turned off while installing or servicing unit. Do not turn power on until fixture is completely installed. Turn power off at the circuit breaker.</p>	