



TruGroove recessed micro delivers the perfect combination of slender aesthetic and lighting control, creating luminous environments with exceptional uniformity and wide row spacing from a 1.75" aperture continuous line-of light. An extended family and refined design are perfect for lighting any professional space.

TruGroove recessed micro now includes AccuRender technology for the highest color quality at the highest efficacy

Project: \_\_\_\_\_  
 Location: \_\_\_\_\_  
 Cat.No: \_\_\_\_\_  
 Type: \_\_\_\_\_  
 Line ID: \_\_\_\_\_ Qty: \_\_\_\_\_  
 Notes: \_\_\_\_\_

Ordering guide<sup>12</sup>

example: 2301L940NWWFF35S308DS1NCSW

Family	Version <sup>10</sup>	Distribution	Source	CRI/CCT <sup>1, 5, 8, 16</sup>			
23 TruGroove micro	0 Recessed	1 Direct	L LED	950 CRI 90, 5000K 940 CRI 90, 4000K 935 CRI 90, 3500K	930 CRI 90, 3000K 927 CRI 90, 2700K	9T2 CRI 90, 2700-6500K 2ch Tunable White (confirm controls)	
Optics (Direct)				Lumens (Direct) <sup>1,20</sup>	Housing	Ceiling/Trim <sup>18</sup>	Run Length <sup>7, 17, 19</sup>
Lens <sup>9, 16, 20</sup>		Louver Cell (specify Quad Optics, color, length, position) <sup>9,15</sup>					
N No lens (specify direct louver optic) Q Performance symmetric batwing flush MesoOptics W Performance asymmetric/wall wash flush MesoOptics B Definition symmetric flush black L Definition symmetric flush silk D Definition symmetric drop silk <b>Note:</b> To specify a lens/louver combination please select both lens and louver options.	Quad Optic N No louver (specify direct lens optic) G Performance 17° graze beam w/MesoOptics R Performance 27° narrow beam w/MesoOptics M Performance 48° medium beam w/MesoOptics S Performance 63° stack beam w/MesoOptics Q Performance 61° symmetric batwing w/MesoOptics W Performance 20° asymmetric wall wash w/MesoOptics	Color N None B Black W White P Platinum G Gold C Copper	Length N None C 6in (3 cells) 1 1ft (6 cells) F Full length	Position N None S Start E End 2 Both F Full length	40 4000 lm/4ft 35 3500 lm/4ft 30 3000 lm/4ft 25 2500 lm/4ft 20 2000 lm/4ft 15 1500 lm/4ft 10 1000 lm/4ft 07 700 lm/4ft	S Standard C Chicago Plenum	1 T-Grid 2 Drywall trimless (wall recessed) 3 Drywall trimless (ceiling recessed) 4 Drywall trim  XX Continuous run in 1/8in increments (please specify length)  Recessed Patterns: A4 2ft x 2ft flat corner (90°) K4 2ft x 2ft outside corner (90°) 00 Inside corner (90° bracket)
Voltage <sup>3</sup>	Driver <sup>3, 5</sup>	Circuit <sup>2, 10, 11</sup>		Wiring Option <sup>2,3,6,10,13</sup>	System/Controls <sup>4, 9, 14</sup>		
D UNV 120-277V 3 347V	E Advance Xitanium 0-10V (1% Dim)	1 Single circuit C Single circuit + 1 Thru wire (BP trigger)		N None B Battery pack	NN None		
D UNV 120-277V	D Advance Xitanium DALI (5% Dim) H Lutron EcoSystem LDE1 (<1% Dim, Fade-to-Black)	F Single circuit + 4 Thru wires (mains & dimming) B Dual circuit (A/B alternate sections) H Dual circuit (A/B) + 1 Thru wire (BP trigger) J Dual circuit (A/B) + 4 Thru wires (mains & dimming)		E Auxiliary wiring G GTD (please specify voltage)			
D UNV 120-277V	S Advance Xitanium SR (1% Dim)	1 Single Circuit C Single Circuit + 1 Thru Wire (BP Trigger)		N None B Battery pack R UL924 sensor bypass relay	NN None CS Interact Pro scalable wireless sensor with integral daylight & occupancy sensing, advanced grouping with dwell time SB Interact Pro wireless sensor with occupancy, daylight, and environmental sensing capabilities		
D UNV 120-277V	F Advance FlexTune SR (1% Dim) 2 0-10V 2ch (1% Dim) 6 DALI DT6 2ch (1% Dim) 8 DALI DT8 2ch (1% Dim)	1 Single Circuit C Single Circuit + 1 Thru Wire (BP Trigger)		N None	NN None CS Interact Pro scalable wireless sensor with integral daylight & occupancy sensing, advanced grouping with dwell time SB Interact Pro wireless sensor with occupancy, daylight, and environmental sensing capabilities		
Finish							
W Standard white trim finish B Black trim finish C Custom trim finish (please specify color)							

See footnotes on page 2.

# TruGroove recessed micro

## Ordering guide footnotes

1. Nominal values within a range. Not all lumen packages are available with all configurations. Consult photometry data for CRI, color temp, lumens & distribution of chosen configuration.
2. Not all wiring types are available with all configurations. Consult Ledalite for a complete list of available options.
3. 347V not available with Battery Pack, GTD, DALI, Lutron EcoSystem or Sensor Ready drivers or Interact Pro options. Battery packs available in modules > 4ft (lumen package limits may apply, check with Ledalite)
4. Interact Pro options require separate controls hardware by Signify.
5. Tunable White is available in Interact Pro wireless or with 2ch 0-10V, DALI-2 (DT6 or DT8). Please enquire about options such as DMX control (extended lead times may apply).
6. Auxiliary Wiring not available with Interact Pro luminaires. Aux sections are wired to one fixture end only.
7. Please specify the type of corner, flat corners are 90°. No asymmetric lens optics in corners. Please enquire about options for custom angles and intersections (extended lead times may apply).
8. Tunable White not available with Louver Cell optics.
9. Integral sensors only allowed at ends of runs. Mid run sensors will be provided in remote mounts. Integral sensors not available with asymmetric options. Sensors must be combined with a Sensor Ready driver option. Default sensor color is white, fixtures with black finish have black sensors. (Consult factory for other combinations). Signify sensor options shown in the order guide. Third party sensors also available, please enquire about options for Lutron Athena, Vive, or others.
10. Luminaires are pre-wired to both ends with quick wire connectors at one end for standard circuit & battery pack trigger wire (if applicable). Each circuit has its own neutral conductor. All circuits are clearly labelled at each end.
11. Thru Wire options can provide either one additional set of (4) power and dimming wires (Black/White/Purple/Pink) or one additional battery pack trigger wire (Orange) through a selected module, please consult factory for other Thru Wire options.
12. Other options not shown here may also be possible via a custom request. Extended lead times and minimum order quantities may apply, please consult factory.
13. UL924 listed sensor bypass relay is factory installed between driver & sensor. Must be ordered in same module as integral sensing option. Must be installed in conjunction with a UL1008 device.
14. Must order IRT9015 Interact commissioning remote with each system order.
15. Combination modules with Louver Cells and a Flush Lens may be specified by using the "Louver Cell Length" and "Louver Cell Position" options.
16. Performance Asymmetric Wall Wash option not available in 2ft standalone.
17. Available in continuous run lengths. Increments as small as 1/8in for symmetric lens configurations ≤ 2500lm/4ft. Increments of 1ft for louver or asymmetric configurations and all symmetric lens configurations >2500lm/4ft.
18. TruGroove's universal T-Grid mount option is compatible with numerous ceiling grid styles, including NEMA Type G, NFG, NFSG, and SS.
19. Selecting recessed pattern in the run length field will automatically adjust the version code when shipped: A= Flat Corner, K = Outside Corner, G = Inside Corner Bracket.
20. Black lens limits direct lumens to 700 or 1000lm/4ft. Black lens is ONLY for use in Type NON IC rated ceilings. Tunable White only in MesoOptics, Flush Silk, or Drop Silk lenses, consult photometry data for lumen options of chose configuration.

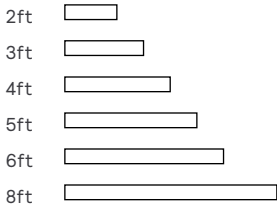
**Note:** Due to continuing product improvements, Ledalite reserves the right to change the specifications without notice

# TruGroove recessed micro

## Options and dimensions

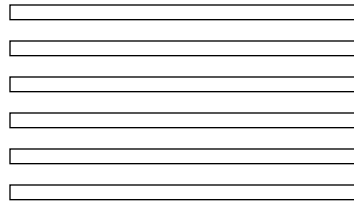
### Standalone

Keep it simple with standalone modules, available in 6 standard lengths (consult Ledalite for custom lengths)



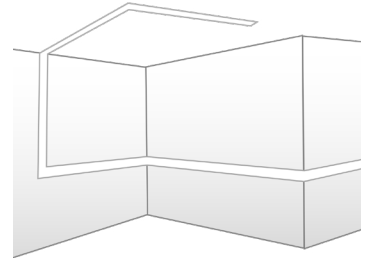
### Continuous run

Create an uninterrupted ribbon of light with continuous runs, specifiable to 1/8".



### Patterns

Transition from wall to ceiling seamlessly and create any pattern imaginable\*.

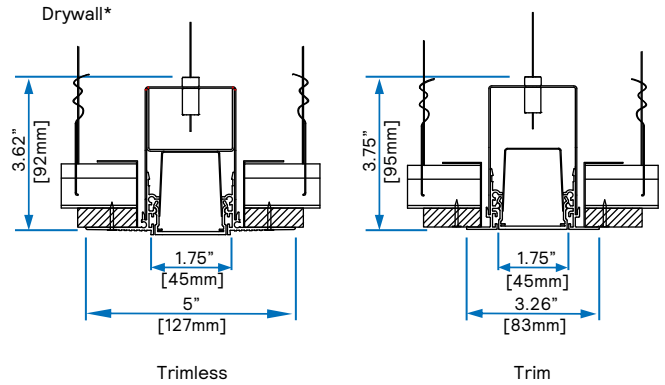
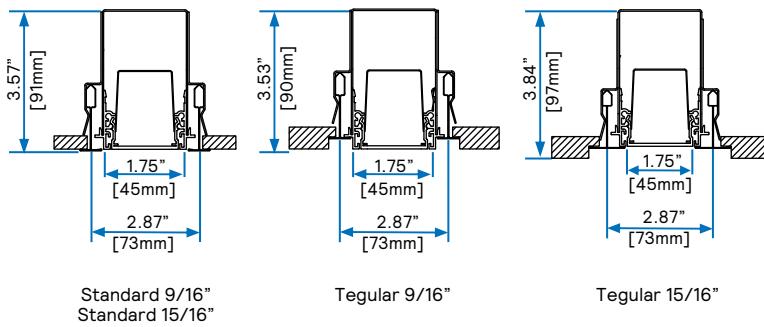


\*Inside, outside & flat corners are 90°, contact Ledalite for custom angles.

### Flush Lens or Louver

TruGroove recessed micro with 1.75" aperture Flush MesoOptics, Silk or Black lenses, or quad optic louver cells with MesoOptics in 6 distributions.

T-Grid (NEMA types G, NFG, NFSG, SS)

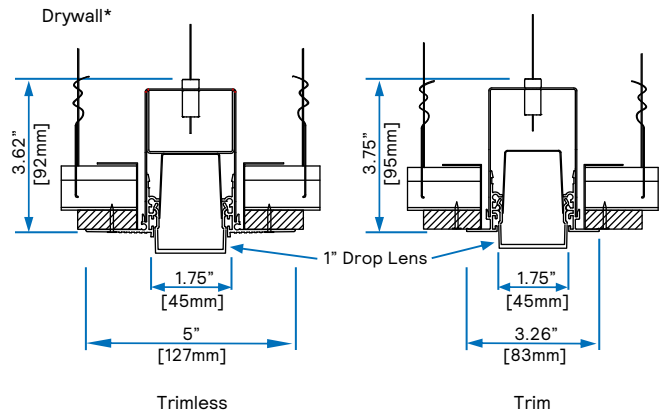
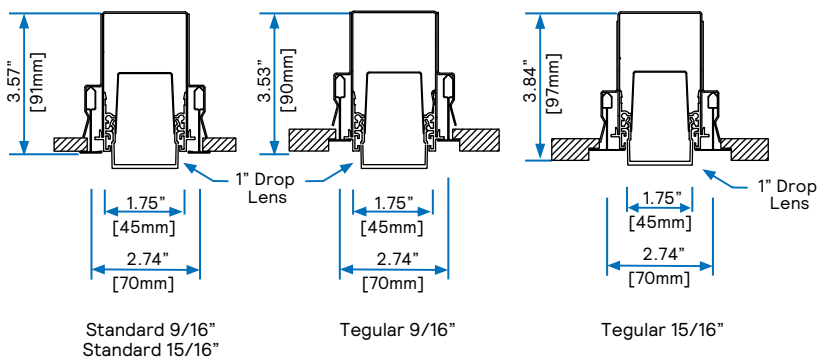


\*Default 4ft aircraft cables for drywall models

### Drop Lens

TruGroove recessed micro with 1.75" aperture Drop Silk lens.

T-Grid (NEMA types G, NFG, NFSG, SS)

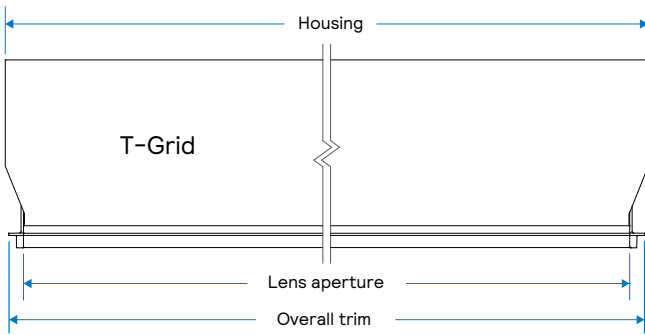


\*Default 4ft aircraft cables for drywall models

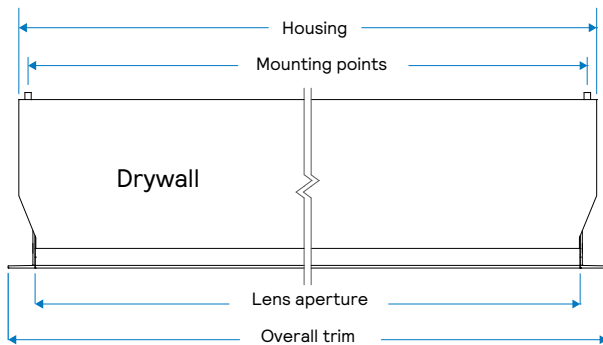
# TruGroove recessed micro

## Options and dimensions

### Standalone

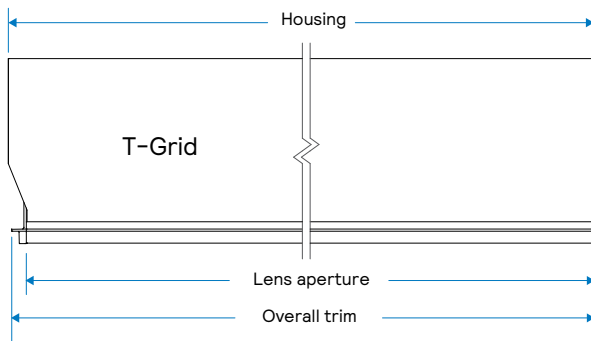


Nominal	Housing	Lens Aperture	T-Grid
2ft	23.9" [607mm]	23.0" [584mm]	23.8" [605mm]
3ft	35.9" [912mm]	35.0" [889mm]	35.8" [909mm]
4ft	47.9" [1217mm]	47.0" [1194mm]	47.8" [1214mm]
5ft	59.9" [1521mm]	59.0" [1499mm]	59.8" [1519mm]
6ft	71.9" [1826mm]	71.0" [1803mm]	71.8" [1824mm]
8ft	95.9" [2436mm]	95.0" [2413mm]	95.8" [2433mm]

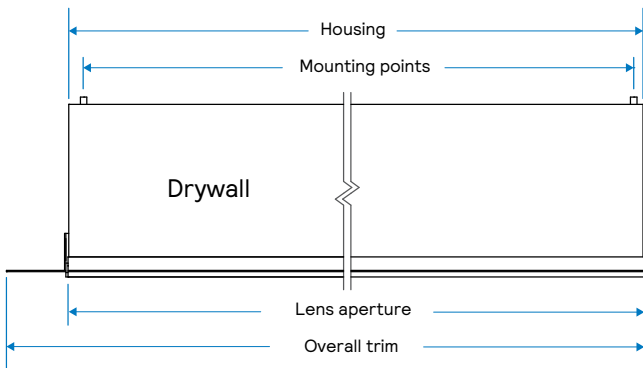


Nominal	Housing	Lens Aperture	Mounting Points	Drywall Trimless	Drywall Trim
2ft	23.9" [607mm]	23.0" [584mm]	23.4" [594mm]	26.4" [671mm]	24.5" [622mm]
3ft	35.9" [912mm]	35.0" [889mm]	35.4" [899mm]	38.4" [975mm]	36.5" [927mm]
4ft	47.9" [1217mm]	47.0" [1194mm]	47.4" [1204mm]	50.4" [1280mm]	48.5" [1232mm]
5ft	59.9" [1521mm]	59.0" [1499mm]	59.4" [1509mm]	62.4" [1585mm]	60.5" [1537mm]
6ft	71.9" [1826mm]	71.0" [1803mm]	71.4" [1814mm]	74.4" [1890mm]	72.5" [1842mm]
8ft	95.9" [2436mm]	95.0" [2413mm]	95.4" [2423mm]	98.4" [2499mm]	96.5" [2451mm]

### Continuous run (end run)



Nominal	Housing	Lens Aperture	T-Grid
2ft	24.0" [610mm]	23.5" [597mm]	23.9" [607mm]
3ft	36.0" [914mm]	35.5" [902mm]	35.9" [912mm]
4ft	48.0" [1219mm]	47.5" [1207mm]	47.9" [1217mm]
5ft	60.0" [1524mm]	59.5" [1511mm]	59.9" [1521mm]
6ft	72.0" [1829mm]	71.5" [1816mm]	71.9" [1826mm]
8ft	96.0" [2438mm]	95.5" [2426mm]	95.9" [2436mm]
Incremental	L	L-0.5" [L-13mm]	L-0.1" [L-3mm]

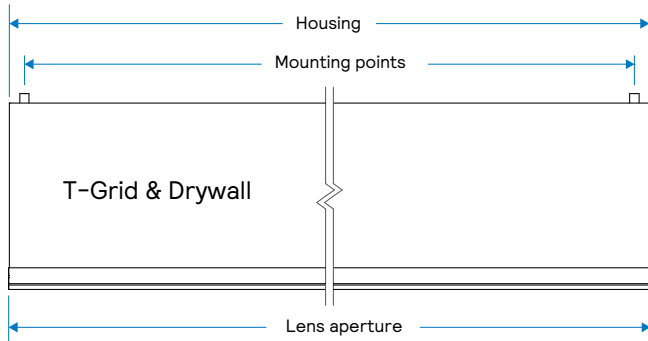


Nominal	Housing	Lens Aperture	Mounting Points	Drywall Trimless	Drywall Trim
2ft	24.0" [610mm]	23.5" [597mm]	23.2" [589mm]	25.7" [653mm]	24.8" [630mm]
3ft	36.0" [914mm]	35.5" [902mm]	35.2" [894mm]	37.7" [958mm]	36.8" [935mm]
4ft	48.0" [1219mm]	47.5" [1207mm]	47.2" [1199mm]	49.7" [1262mm]	48.8" [1240mm]
5ft	60.0" [1524mm]	59.5" [1511mm]	59.2" [1504mm]	61.7" [1567mm]	60.8" [1544mm]
6ft	72.0" [1829mm]	71.5" [1816mm]	71.2" [1808mm]	73.7" [1872mm]	72.8" [1849mm]
8ft	96.0" [2438mm]	95.5" [2426mm]	95.2" [2418mm]	97.7" [2482mm]	96.8" [2459mm]
Incremental	L	L-0.5" [L-13mm]	L-0.8" [L-20mm]	L+1.7" [L-43mm]	L-0.75" [L-19mm]

# TruGroove recessed micro

## Options and dimensions

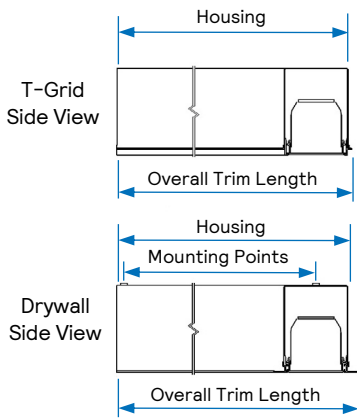
### Continuous run (mid run)



Nominal	Housing/Lens Aperture	T-Grid
2ft	24.0" [610mm]	23.2" [589mm]
3ft	36.0" [914mm]	35.2" [894mm]
4ft	48.0" [1219mm]	47.2" [1199mm]
5ft	60.0" [1524mm]	59.2" [1504mm]
6ft	72.0" [1829mm]	71.2" [1808mm]
8ft	96.0" [2438mm]	95.2" [2418mm]
Incremental	L	L-0.8" [L-20mm]

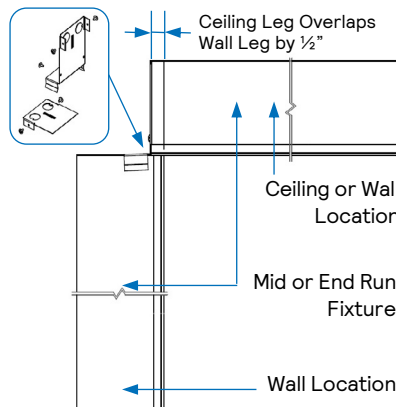
### Flat Corner (90°)

Flat corners are 2'x2' and can be used to create ceiling or wall recessed patterns.



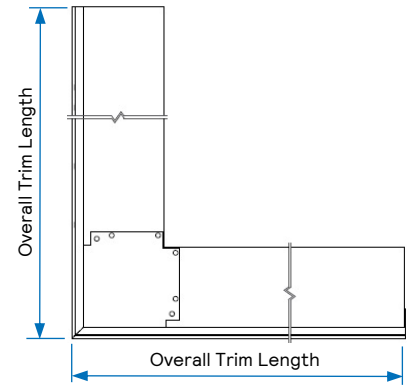
### Inside Corner (90° Bracket)

Inside corners use a bracket kit to join a ceiling recessed and wall recessed fixture.



### Outside Corner (90°)

Outside corners are used to create patterns around drywall corners.

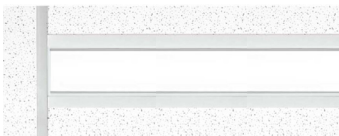


Nominal	Housing	Mounting Points	T-Grid Trim	Drywall Trimless	Drywall Trim
2ft x 2ft flat	25.1" [637mm]	23.6" [599mm]	25.3" [643mm]	26.5" [673mm]	25.6" [651mm]
2ft x 2ft outside	26.8" [681mm]	N/A	N/A	26.8" [681mm]	N/A

\*Inside, outside & flat corners are 90°, contact Ledalite for custom angles.

## Ceiling/Trim Options

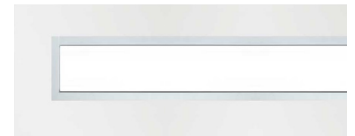
### T-Grid



### Drywall Trimless



### Drywall Trim



**Note:** In standalone, end run T-Grid and all corner luminaires, louvers do not run all the way to end or into corners. A small blank plate is pre-installed in these cases.

# TruGroove recessed micro

## Specifications

### Optical System

White light emitted from the LED sources is redirected by a precisely formed reflector and exits through the optical lens assembly. This assembly contains an acrylic extrusion profile retaining a layer of MesoOptic DX film, creating both an uninterrupted continuum of light and an optical batwing or asymmetric distribution from a 1.75" flush aperture.

The available Flush Silk lens is a value-oriented option that provides a lambertian distribution while maintaining a uniform continuum of light.

Additionally, Ledalite's unique Quad Optic Louver Cell provides 6 tailored optical distributions with reduced glare.

### Housing

Die-formed 20 gauge cold-rolled steel. Multiple upper wire entrances available for continuous row mounting of fixtures.

### Finish

Extruded aluminum trim and die-cast endplates coated with electrostatically applied and thermally cured polyester powder coat paint finish. Available in standard Matte White or Black. TruGroove recessed micro trim can also be specified in any custom color upon request for a one-time setup charge. Some optional sensors (such as Interact Pro) may be available in white or black and will be matched to fixture housing tone where possible, consult Ledalite to confirm sensor colour.

### Mounting

**T-Grid:** Mounting brackets on housing sides support T-Grid installation in 9/16", 15/16" or slot T-Grid suspension systems (NEMA types G, NFG, NFSG, and SS).

**Drywall (Ceiling mounted):** Ceiling mounted luminaires are available with Drywall Trim or Trimless options. A 1/16" diameter aircraft cable with self-locking, tamper-resistant, miniature cable gripper provides vertical adjustment. The aircraft cable, crimp and gripper have been independently tested to meet stringent safety requirements.

**Drywall (Wall mounted):** Wall mounted luminaires are only available with the Drywall Trimless option. In a continuous wall to ceiling pattern with an inside corner the ceiling run can use a different trim option if required.

### Joints

Self-aligning joining system with hands-free pre-joining wire access.

### Weight

Maximum 2.8lbs/ft.

### Electrical

Fixtures are factory pre-wired to section ends with quick-wire connectors and tested for all circuits and backup battery packs. LED boards and drivers are easily field replaceable with access from below the ceiling. Optional armored cable flex whips are available in 6' lengths.

### Standard Drivers

Advance Xitanium 0-10V, 1% Dimming.  
Advance Xitanium DALI, 5% Dimming.  
Advance Xitanium Sensor Ready, 1% Dimming.  
Lutron EcoSystem LDE1, 1% Dimming with Soft-On and Fade-to-Black.  
Class 2 rated output. Consult Ledalite for other available drivers.

### Standard Battery Packs

Bodine Battery Pack, 90 min, 10W, Class 2 rated output.  
Lumen output = 10W x luminaire efficacy x 1.1. Typical output ~1200lm.

### Lumen Maintenance

LEDs have been tested by the manufacturer in accordance with IESNA LM-80-15. At an ambient temperature of 25°C, the LED lumen maintenance expectation according to IES TM-21-11 is:  
 $L_{90}(10k) > 60,000$  hours (reported methodology).

### Source Color

LEDs rated for color rendering of:  
 $CRI Ra \geq 90$ ,  $R_g \geq 50$ ,  $G_a \geq 97$ ,  $C_g \geq 90$   
IES TM-30-18 :  $R_f \geq 90$ ,  $R_{f,h1} \geq 89$ ,  $R_g \geq 99$ ,  $R_{cs,h1} \geq -5\%$   
SPD and TM-30-18 reports available upon request

Fixture to fixture color accuracy within:  
2 SDCM for Static White luminaires  
3 SDCM for Tunable White luminaires

### Approvals

Certified to UL, IES & CSA Standards.

City of Chicago Approved CCEA (housing option C).

Type IC Rated.

### Environment

Rated for dry or damp locations in operating ambient temperatures of 0-25°C (32-77°F).

Many luminaire components, such as reflectors, refractors, lenses, and LEDs are made from various types of plastics which can be adversely affected by airborne contaminants. If sulfur-based chemicals, petroleum-based products, cleaning solutions, or other contaminants are expected in the intended area of use, consult factory for compatibility. Damage caused by sulfur, chlorine, petroleum-based solution or other contaminants are not covered under warranty. Not suitable for natatorium environments.

### Warranty

Five-year luminaire limited warranty including LED boards and driver:  
[www.signify.com/warranties](http://www.signify.com/warranties)

### QuickShip

10-day QuickShip available for most configurations upon request.  
More information available at:  
[www.signify.com/en-us/brands/ledalite/quickship](http://www.signify.com/en-us/brands/ledalite/quickship)

# TruGroove recessed micro

## Wireless Controls Options

### Interact Pro scalable sensor for Foundation, Advanced & Enterprise tiers (CS):

- CS is a connected sensor with integral occupancy and daylight sensing and supports wireless mesh connectivity.
- The sensor works in the Foundation mode when configured without a gateway or in an Interact Pro Advanced or Enterprise mode if a compatible gateway is used.
- Interact Pro includes an App, a portal and a broad portfolio of wireless luminaires, lamps and retrofit kits all working on the same system.
- Startup is implemented via Interact Pro app (Android or iPhone) & Bluetooth connectivity. The app provides flexibility to choose between a gateway or non gateway mode for setup.
- Setup with the gateway requires wired internet access to the gateway. It is possible to add a gateway at a later point.
- Prepare project configuration steps remotely and use IRT9015 remote onsite to identify and group devices together.
- Compatible with UID8451/10 wireless dimmer switch, SWS200 wireless scene switch, wireless Occ sensor (OCC SENSOR IA CM IP42 WH 10/1) and wireless Day/Occ sensor (OCC MULTI SENSOR IA CM WH 10/1).
- For more information on Interact Pro visit:  
[www.interact-lighting.com/interactproscalablesystem](http://www.interact-lighting.com/interactproscalablesystem)

### Emergency Options (R):

- Power Sensing (factory default) – Recommended
- UL924 option requires unswitched power sense line, absence of voltage on the normal circuit triggers luminaire to 100% output.
- Power Interruption Detection (field option)
- Detects AC power interruption >30ms triggers 90 minute emergency mode with luminaire at 100% output.

### Interact Pro scalable sensor bundles for Enterprise tier (SB):

- SB option, in addition to occupancy and daylight sensing, supports advanced IoT capabilities such as people estimation analysis, desk level temperature & humidity sensing, noise classification, and BLE beacon.
- Compatible with UID8451/10 wireless dimmer switch, SWS200 wireless scene switch, wireless Occ sensor (OCC SENSOR IA CM IP42 WH 10/1) and wireless Day/Occ sensor (OCC MULTI SENSOR IA CM WH 10/1).
- Use Interact software and insights to increase building efficiency, achieve building wide integration and optimize space through occupancy analytics.
- Requires compatible Gateway and internet connectivity for commissioning. For more information, visit: [www.interact-lighting.com/office](http://www.interact-lighting.com/office)

## Wired Controls Options

### Tunable White:

- Tunable White options are available with 2ch 0-10V or DALI (DT6 or DT8) drivers. Please enquire about options such as DMX control (extended lead times may apply).
- Signify tunable white solutions are designed to help maximize the influence of lighting on your daily life.
- Dynamic behaviors via scheduled lighting recipes mimicking daylight patterns or supporting biorhythms.
- Scene setting via lighting pre-sets based on various combinations of lighting color temperature and intensity.

Interact Pro scalable sensor option codes across Genlyte product lines

	Evokit	Day-Brite	Ledalite	Lightolier
Zigbee + Bluetooth + Sensing	SWZCS	SWZCS	CS	SBA accessory (external)
Zigbee + Bluetooth	RADIO	RADIO	RA	RA
Zigbee + Bluetooth + Sensing + Environmental data	IAOSB	IAOSB	SB	SB
Zigbee + Highbay + Sensing	-	SWZCSH	-	-

# TruGroove recessed micro

## Functionalities overview

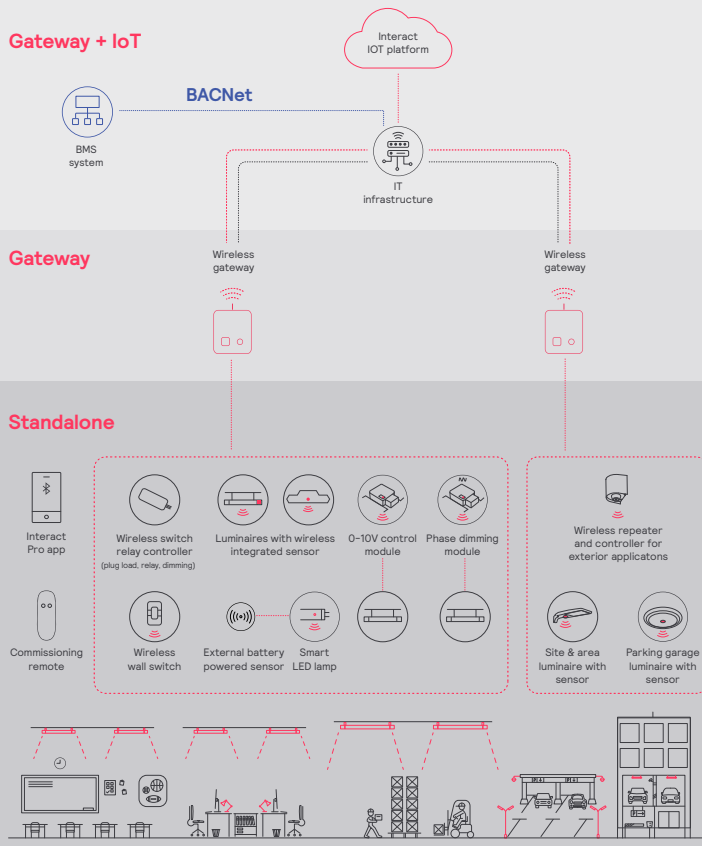
	The three tiers of Interact		
	Standalone	Gateway	Gateway + IoT
Dimming, grouping, and zoning	✓	✓	✓
Bluetooth and ZigBee enabled	✓	✓	✓
Motion sensing and daylight harvesting	✓	✓	✓
Integration with 0-10V and phase dimming fixtures	✓	✓	✓
Code compliance	✓	✓	✓
Granular dimming and dwell time	✓	✓	✓
<b>New</b> Correlated color temperature (CCT) tuning by switch	✓	✓	✓
<b>New</b> Support for sensor-based Tunable White luminaires	✓	✓	✓
Energy reporting and monitoring		✓	✓
Scheduling		✓	✓
Demand response		✓	✓
BMS integration (BACnet)			✓
Floor plan visualization			✓
IoT sensors for wellness			✓
IoT Apps for productivity			✓

## Currently supported maximum system size

To be able to design the lighting system correctly for the customer, it is important to know the prime characteristics of the system, its possibilities and limitations.

System level	
Total number of gateways	Unlimited
Total number of devices	200 per network
• luminaires with integrated sensors	150
• smart TLEDs	150
Total number of ZGP devices (sensors and switches)	50
• sensors	30
• switches	50
• zones and groups	64
Group level	
Recommended number of lights	40 (recommended 25)
Number of ZGP devices	5
Number of scenes	16

## Interact system architecture for office, education, healthcare, retail, industrial and parking applications





# TruGroove recessed micro

## Colorimetry

### TruGroove recessed micro (2301) AccuRender Static White

Nominal CRI & CCT		CRI 90, 2700K	CRI 90, 3000K	CRI 90, 3500K	CRI 90, 4000K	CRI 90, 5000K
CIE 013.3-1995 <sup>1</sup>	CRI $R_a$	94	93	93	93	93
	$R_9$	55	57	59	64	68
	$G_a$	99	99	99	99	99
	$C_9$	93	93	93	93	94
IES TM-30-18 <sup>2</sup>	$R_f$	92	91	91	91	90
	$R_{f,h_1}$	90	90	90	91	89
	$R_g$	100	100	99	100	100
	$R_{cs,h_1}$	-6%	-5%	-6%	-5%	-5%
MDER <sup>3</sup>		0.45	0.51	0.58	0.65	0.81

1. Color Rendering Index (CRI Ra) and Strong Red (R9) are calculated in accordance with CIE 013.3-1995. Color Gamut index (Ga) and red chroma Index (C9) are CIE based properties using the Global Lighting Association's calculation tool.

2. Fidelity Index (Rf), Red Fidelity Index (Rf,h1), Gamut Index (Rg), and Red Local Chroma Shift (Rcs,h1) are calculated in accordance with IES TM-30-18.-18.

3. Melanopic Daylight Efficacy Ratio (MDER) is the measure for "spectral melanopic efficiency" as defined in CIE S 026-2018.

# TruGroove recessed micro

## Photometry

### Direct (2301) Performance Symmetric Flush MesoOptic Lens

Click "PDF" or "IES" text to download

Nominal CRI & CCT		CRI 90, 2700K					CRI 90, 3000K					CRI 90, 3500K					CRI 90, 4000K					CRI 90, 5000K				
Nominal Lumen Package (lm/4ft)	Watts (W)	Flux (lm/4ft) <sup>1</sup>	Efficacy (LPW) <sup>2</sup>	UGR <sup>2</sup>	Photometry Report	IES File	Flux (lm/4ft) <sup>1</sup>	Efficacy (LPW) <sup>2</sup>	UGR <sup>2</sup>	Photometry Report	IES File	Flux (lm/4ft) <sup>1</sup>	Efficacy (LPW) <sup>2</sup>	UGR <sup>2</sup>	Photometry Report	IES File	Flux (lm/4ft) <sup>1</sup>	Efficacy (LPW) <sup>2</sup>	UGR <sup>2</sup>	Photometry Report	IES File	Flux (lm/4ft) <sup>1</sup>	Efficacy (LPW) <sup>2</sup>	UGR <sup>2</sup>	Photometry Report	IES File
4000	43.8	3,681	84.0	25.5	PDF	IES	3,824	87.3	25.7	PDF	IES	3,996	91.2	25.8	PDF	IES	4,006	91.5	25.8	PDF	IES	4,195	95.8	26.0	PDF	IES
3500	38.3	3,226	84.2	25.1	PDF	IES	3,351	87.5	25.2	PDF	IES	3,497	91.3	25.3	PDF	IES	3,510	91.6	25.4	PDF	IES	3,671	95.8	25.5	PDF	IES
3000	32.4	2,773	85.6	24.5	PDF	IES	2,881	88.9	24.7	PDF	IES	3,003	92.7	24.8	PDF	IES	3,016	93.1	24.8	PDF	IES	3,150	97.2	25.0	PDF	IES
2500	27.0	2,308	85.5	23.9	PDF	IES	2,397	88.8	24.0	PDF	IES	2,498	92.5	24.2	PDF	IES	2,509	92.9	24.2	PDF	IES	2,619	97.0	24.3	PDF	IES
2000	21.0	1,849	88.0	23.1	PDF	IES	1,919	91.4	23.3	PDF	IES	2,000	95.2	23.4	PDF	IES	2,006	95.5	23.4	PDF	IES	2,096	99.8	23.6	PDF	IES
1500	16.1	1,380	85.7	22.1	PDF	IES	1,431	88.9	22.2	PDF	IES	1,493	92.7	22.4	PDF	IES	1,494	92.8	22.4	PDF	IES	1,563	97.1	22.6	PDF	IES
1000	11.4	918	80.5	20.7	PDF	IES	952	83.5	20.8	PDF	IES	994	87.2	21.0	PDF	IES	991	86.9	21.0	PDF	IES	1,041	91.3	21.1	PDF	IES

### Direct (2301) Performance Asymmetric Wall Wash Flush MesoOptic Lens

Click "PDF" or "IES" text to download

Nominal CRI & CCT		CRI 90, 2700K					CRI 90, 3000K					CRI 90, 3500K					CRI 90, 4000K					CRI 90, 5000K				
Nominal Lumen Package (lm/4ft)	Watts (W)	Flux (lm/4ft) <sup>1</sup>	Efficacy (LPW) <sup>2</sup>	UGR <sup>2</sup>	Photometry Report	IES File	Flux (lm/4ft) <sup>1</sup>	Efficacy (LPW) <sup>2</sup>	UGR <sup>2</sup>	Photometry Report	IES File	Flux (lm/4ft) <sup>1</sup>	Efficacy (LPW) <sup>2</sup>	UGR <sup>2</sup>	Photometry Report	IES File	Flux (lm/4ft) <sup>1</sup>	Efficacy (LPW) <sup>2</sup>	UGR <sup>2</sup>	Photometry Report	IES File	Flux (lm/4ft) <sup>1</sup>	Efficacy (LPW) <sup>2</sup>	UGR <sup>2</sup>	Photometry Report	IES File
4000	43.8	3,621	82.7	25.3	PDF	IES	3,762	85.9	25.4	PDF	IES	3,930	89.7	25.5	PDF	IES	3,941	90.0	25.6	PDF	IES	4,127	94.2	25.7	PDF	IES
3500	38.3	3,173	82.8	24.8	PDF	IES	3,297	86.1	24.9	PDF	IES	3,440	89.8	25.1	PDF	IES	3,452	90.1	25.1	PDF	IES	3,611	94.3	25.3	PDF	IES
3000	32.4	2,728	84.2	24.3	PDF	IES	2,834	87.5	24.4	PDF	IES	2,954	91.2	24.6	PDF	IES	2,967	91.6	24.6	PDF	IES	3,099	95.6	24.7	PDF	IES
2500	27.0	2,270	84.1	23.6	PDF	IES	2,358	87.3	23.8	PDF	IES	2,457	91.0	23.9	PDF	IES	2,468	91.4	23.9	PDF	IES	2,576	95.4	24.1	PDF	IES
2000	21.0	1,819	86.6	22.9	PDF	IES	1,888	89.9	23.0	PDF	IES	1,968	93.7	23.1	PDF	IES	1,974	94.0	23.2	PDF	IES	2,061	98.1	23.3	PDF	IES
1500	16.1	1,357	84.3	21.9	PDF	IES	1,408	87.5	22.0	PDF	IES	1,469	91.2	22.1	PDF	IES	1,469	91.2	22.1	PDF	IES	1,537	95.5	22.3	PDF	IES
1000	11.4	903	79.2	20.4	PDF	IES	936	82.1	20.6	PDF	IES	978	85.8	20.7	PDF	IES	975	85.5	20.7	PDF	IES	1,024	89.8	20.9	PDF	IES

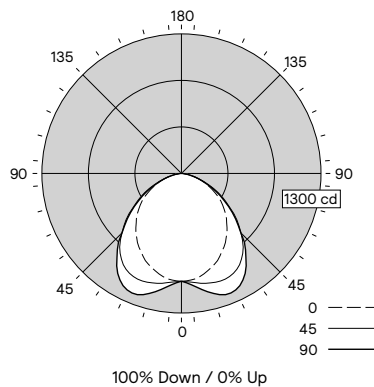
### Direct (2301) Definition Symmetric Flush Silk Lens

Click "PDF" or "IES" text to download

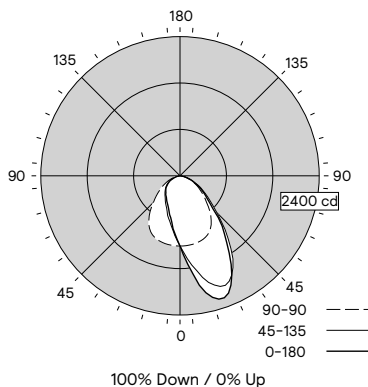
Nominal CRI & CCT		CRI 90, 2700K					CRI 90, 3000K					CRI 90, 3500K					CRI 90, 4000K					CRI 90, 5000K				
Nominal Lumen Package (lm/4ft)	Watts (W)	Flux (lm/4ft) <sup>1</sup>	Efficacy (LPW) <sup>2</sup>	UGR <sup>2</sup>	Photometry Report	IES File	Flux (lm/4ft) <sup>1</sup>	Efficacy (LPW) <sup>2</sup>	UGR <sup>2</sup>	Photometry Report	IES File	Flux (lm/4ft) <sup>1</sup>	Efficacy (LPW) <sup>2</sup>	UGR <sup>2</sup>	Photometry Report	IES File	Flux (lm/4ft) <sup>1</sup>	Efficacy (LPW) <sup>2</sup>	UGR <sup>2</sup>	Photometry Report	IES File	Flux (lm/4ft) <sup>1</sup>	Efficacy (LPW) <sup>2</sup>	UGR <sup>2</sup>	Photometry Report	IES File
4000	39.9	3,691	92.5	26.3	PDF	IES	3,835	96.1	26.5	PDF	IES	4,003	100.3	26.6	PDF	IES	4,017	100.7	26.6	PDF	IES	4,202	105.3	26.8	PDF	IES
3500	34.4	3,231	93.9	25.9	PDF	IES	3,356	97.6	26.0	PDF	IES	3,500	101.7	26.2	PDF	IES	3,514	102.2	26.2	PDF	IES	3,672	106.7	26.3	PDF	IES
3000	29.4	2,776	94.4	25.3	PDF	IES	2,883	98.1	25.5	PDF	IES	3,005	102.2	25.6	PDF	IES	3,018	102.7	25.6	PDF	IES	3,151	107.2	25.8	PDF	IES
2500	24.6	2,311	93.9	24.7	PDF	IES	2,400	97.6	24.8	PDF	IES	2,500	101.6	25.0	PDF	IES	2,510	102.0	25.0	PDF	IES	2,620	106.5	25.1	PDF	IES
2000	19.2	1,855	96.6	23.9	PDF	IES	1,925	100.3	24.1	PDF	IES	2,007	104.5	24.2	PDF	IES	2,011	104.7	24.2	PDF	IES	2,102	109.5	24.4	PDF	IES
1500	14.8	1,390	93.9	22.9	PDF	IES	1,442	97.4	23.1	PDF	IES	1,504	101.6	23.2	PDF	IES	1,504	101.6	23.2	PDF	IES	1,575	106.4	23.4	PDF	IES
1000	10.5	917	87.3	21.5	PDF	IES	950	90.5	21.6	PDF	IES	993	94.6	21.8	PDF	IES	989	94.2	21.8	PDF	IES	1,039	99.0	21.9	PDF	IES

1. 1ft Luminaire photometry has been conducted in accordance with IES LM-79-08. IES files can be downloaded by clicking the links in the table above, or online at ledalite.com. Luminaires with finishes other than standard white may result in a drop in flux and efficacy.  
 2. Unified Glare Ratio (UGR) is calculated in accordance with CIE 117-1995. Reference conditions of 4Hx8Hx1H and reflectances of 70/50/20% have been applied using the procedure described in CIE 190-2010.

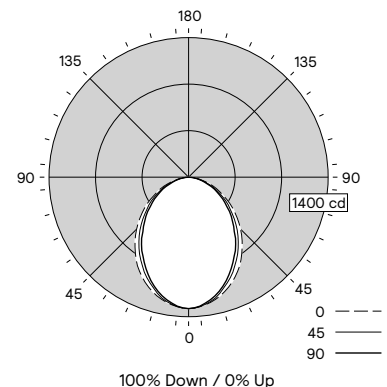
Performance Symmetric Batwing Flush MesoOptics Lens  
Spacing Criteria: 1.18/1.52



Performance Symmetric Wall Wash Flush MesoOptics Lens  
Spacing Criteria: 1.26/1.56



Definition Symmetric Flush Silk Lens  
Spacing Criteria: 1.17/1.06



Candela plots shown are for 3000lm/4ft, CRI 90, 3500K configurations.

# TruGroove recessed micro

## Photometry

### Direct (2301) Performance 61° Symmetric Batwing w/ MesoOptics louver

Click "PDF" or "IES" text to download

Nominal CRI & CCT		CRI 90, 2700K					CRI 90, 3000K					CRI 90, 3500K					CRI 90, 4000K					CRI 90, 5000K				
Nominal Lumen Package (lm/4ft)	Watts (W)	Flux (lm/4ft) <sup>1</sup>	Efficacy (LPW) <sup>2</sup>	UGR <sup>3</sup>	Photometry Report	IES File	Flux (lm/4ft) <sup>1</sup>	Efficacy (LPW) <sup>2</sup>	UGR <sup>3</sup>	Photometry Report	IES File	Flux (lm/4ft) <sup>1</sup>	Efficacy (LPW) <sup>2</sup>	UGR <sup>3</sup>	Photometry Report	IES File	Flux (lm/4ft) <sup>1</sup>	Efficacy (LPW) <sup>2</sup>	UGR <sup>3</sup>	Photometry Report	IES File	Flux (lm/4ft) <sup>1</sup>	Efficacy (LPW) <sup>2</sup>	UGR <sup>3</sup>	Photometry Report	IES File
4000	34.8	3,775	108.5	19.3	PDF	IES	3,862	111.0	19.4	PDF	IES	4,008	115.2	19.5	PDF	IES	4,052	116.4	19.6	PDF	IES	4,095	117.7	19.6	PDF	IES
3500	30.1	3,288	109.2	18.8	PDF	IES	3,359	111.6	18.9	PDF	IES	3,490	115.9	19.1	PDF	IES	3,528	117.2	19.1	PDF	IES	3,564	118.4	19.1	PDF	IES
3000	26.0	2,833	109.0	18.3	PDF	IES	2,891	111.2	18.4	PDF	IES	3,006	115.6	18.5	PDF	IES	3,039	116.9	18.6	PDF	IES	3,068	118.0	18.6	PDF	IES
2500	21.1	2,348	111.3	17.7	PDF	IES	2,395	113.5	17.7	PDF	IES	2,493	118.2	17.9	PDF	IES	2,518	119.3	17.9	PDF	IES	2,543	120.5	18.0	PDF	IES
2000	17.2	1,877	109.1	16.9	PDF	IES	1,915	111.3	17.0	PDF	IES	1,994	115.9	17.1	PDF	IES	2,012	117.0	17.1	PDF	IES	2,032	118.1	17.2	PDF	IES
1500	13.4	1,421	106.0	15.9	PDF	IES	1,451	108.3	16.0	PDF	IES	1,512	112.8	16.1	PDF	IES	1,523	113.7	16.2	PDF	IES	1,539	114.9	16.2	PDF	IES
1000	9.7	939	96.8	14.5	PDF	IES	958	98.8	14.6	PDF	IES	1,000	103.1	14.7	PDF	IES	1,006	103.7	14.7	PDF	IES	1,017	104.8	14.8	PDF	IES

### Direct (2301) Performance 63° Stack Beam w/ MesoOptics louver

Click "PDF" or "IES" text to download

Nominal CRI & CCT		CRI 90, 2700K					CRI 90, 3000K					CRI 90, 3500K					CRI 90, 4000K					CRI 90, 5000K				
Nominal Lumen Package (lm/4ft)	Watts (W)	Flux (lm/4ft) <sup>1</sup>	Efficacy (LPW) <sup>2</sup>	UGR <sup>3</sup>	Photometry Report	IES File	Flux (lm/4ft) <sup>1</sup>	Efficacy (LPW) <sup>2</sup>	UGR <sup>3</sup>	Photometry Report	IES File	Flux (lm/4ft) <sup>1</sup>	Efficacy (LPW) <sup>2</sup>	UGR <sup>3</sup>	Photometry Report	IES File	Flux (lm/4ft) <sup>1</sup>	Efficacy (LPW) <sup>2</sup>	UGR <sup>3</sup>	Photometry Report	IES File	Flux (lm/4ft) <sup>1</sup>	Efficacy (LPW) <sup>2</sup>	UGR <sup>3</sup>	Photometry Report	IES File
4000	32.4	3,770	116.4	18.1	PDF	IES	3,853	118.9	18.2	PDF	IES	4,001	123.5	18.3	PDF	IES	4,046	124.9	18.4	PDF	IES	4,087	126.1	18.4	PDF	IES
3500	28.2	3,289	116.6	17.6	PDF	IES	3,358	119.1	17.7	PDF	IES	3,490	123.8	17.8	PDF	IES	3,529	125.1	17.9	PDF	IES	3,563	126.3	17.9	PDF	IES
3000	24.4	2,821	115.6	17.2	PDF	IES	2,879	118.0	17.2	PDF	IES	2,995	122.7	17.3	PDF	IES	3,026	124.0	17.3	PDF	IES	3,056	125.2	17.4	PDF	IES
2500	19.9	2,346	117.9	16.5	PDF	IES	2,394	120.3	16.5	PDF	IES	2,491	125.2	16.7	PDF	IES	2,516	126.4	16.8	PDF	IES	2,541	127.7	16.7	PDF	IES
2000	16.3	1,887	115.8	15.7	PDF	IES	1,926	118.2	15.9	PDF	IES	2,006	123.1	15.9	PDF	IES	2,023	124.1	15.9	PDF	IES	2,044	125.4	16.0	PDF	IES
1500	12.6	1,400	111.1	14.7	PDF	IES	1,429	113.4	14.7	PDF	IES	1,489	118.2	14.9	PDF	IES	1,500	119.0	14.9	PDF	IES	1,516	120.3	14.9	PDF	IES
1000	9.2	932	101.3	13.3	PDF	IES	950	103.3	13.3	PDF	IES	992	107.8	13.5	PDF	IES	997	108.4	13.5	PDF	IES	1,009	109.7	13.6	PDF	IES

### Direct (2301) Performance 20° Asymmetric Wall Wash w/ MesoOptics louver

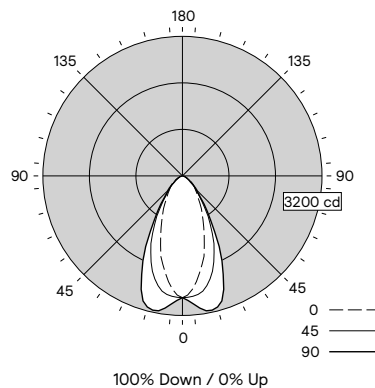
Click "PDF" or "IES" text to download

Nominal CRI & CCT		CRI 90, 2700K					CRI 90, 3000K					CRI 90, 3500K					CRI 90, 4000K					CRI 90, 5000K				
Nominal Lumen Package (lm/4ft)	Watts (W)	Flux (lm/4ft) <sup>1</sup>	Efficacy (LPW) <sup>2</sup>	UGR <sup>3</sup>	Photometry Report	IES File	Flux (lm/4ft) <sup>1</sup>	Efficacy (LPW) <sup>2</sup>	UGR <sup>3</sup>	Photometry Report	IES File	Flux (lm/4ft) <sup>1</sup>	Efficacy (LPW) <sup>2</sup>	UGR <sup>3</sup>	Photometry Report	IES File	Flux (lm/4ft) <sup>1</sup>	Efficacy (LPW) <sup>2</sup>	UGR <sup>3</sup>	Photometry Report	IES File	Flux (lm/4ft) <sup>1</sup>	Efficacy (LPW) <sup>2</sup>	UGR <sup>3</sup>	Photometry Report	IES File
4000	30.9	3,731	120.7	18.1	PDF	IES	3,812	123.4	18.2	PDF	IES	3,960	128.2	18.3	PDF	IES	4,004	129.6	18.3	PDF	IES	4,044	130.9	18.4	PDF	IES
3500	27.0	3,251	120.4	17.6	PDF	IES	3,319	122.9	17.7	PDF	IES	3,451	127.8	17.8	PDF	IES	3,488	129.2	17.8	PDF	IES	3,522	130.4	17.9	PDF	IES
3000	23.3	2,787	119.6	17.1	PDF	IES	2,843	122.0	17.1	PDF	IES	2,958	127.0	17.3	PDF	IES	2,989	128.3	17.3	PDF	IES	3,018	129.5	17.3	PDF	IES
2500	19.1	2,339	122.5	16.5	PDF	IES	2,387	125.0	16.5	PDF	IES	2,485	130.1	16.7	PDF	IES	2,509	131.4	16.7	PDF	IES	2,533	132.6	16.7	PDF	IES
2000	15.6	1,862	119.4	15.7	PDF	IES	1,901	121.9	15.7	PDF	IES	1,979	126.9	15.9	PDF	IES	1,996	127.9	15.9	PDF	IES	2,017	129.3	15.9	PDF	IES
1500	12.2	1,404	115.1	14.7	PDF	IES	1,433	117.5	14.8	PDF	IES	1,494	122.5	14.9	PDF	IES	1,505	123.4	14.9	PDF	IES	1,521	124.7	15.0	PDF	IES
1000	8.8	918	104.3	13.2	PDF	IES	936	106.4	13.3	PDF	IES	978	111.1	13.4	PDF	IES	983	111.7	13.4	PDF	IES	994	113.0	13.5	PDF	IES

- 1. 1ft Luminaire photometry has been conducted in accordance with IES LM-79-08. IES files can be downloaded by clicking the links in the table above, or online at ledalite.com. Luminaire finishes other than standard white may result in a drop in flux and efficacy.
- 2. Unified Glare Ratio (UGR) is calculated in accordance with CIE 117-1995. Reference conditions of 4Hx8Hx1H and reflectances of 70/50/20% have been applied using the procedure described in CIE 190-2010.
- 3. Photometry in tables above is based on white louvers. Photometry data for other color louvers is available for download on our website.
- 4. Photometry is for full louver configuration. For lens/louver combination, please scale separate IES files for lens and louver sections.

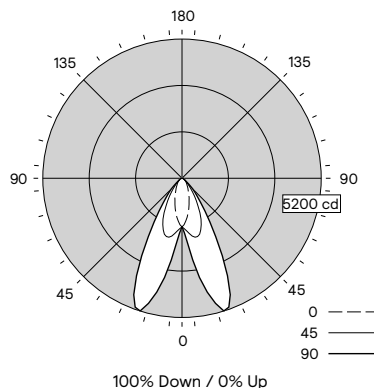
### Performance 61° Symmetric Batwing MesoOptics louver

Spacing Criteria: 0.65/1.00



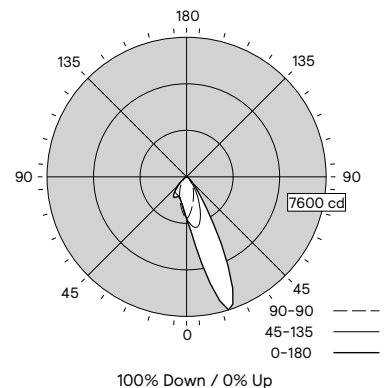
### Performance 63° Symmetric Stack Beam MesoOptics louver

Spacing Criteria: 0.54/1.37



### Performance 20° Asymmetric Wall Wash MesoOptics louver

Spacing Criteria: 1.29/0.59



Candela plots shown are for 3000lm/4ft, CRI 90, 3500K configurations.

# TruGroove recessed micro

## Photometry

### Direct (2301) Performance 48° Medium Beam w/ MesoOptics louver

Click "PDF" or "IES" text to download

Nominal CRI & CCT		CRI 90, 2700K					CRI 90, 3000K					CRI 90, 3500K					CRI 90, 4000K					CRI 90, 5000K				
Nominal Lumen Package (lm/4ft)	Watts (W)	Flux (lm/4ft) <sup>1</sup>	Efficacy (LPW) <sup>2</sup>	UGR <sup>2</sup>	Photometry Report	IES File	Flux (lm/4ft) <sup>1</sup>	Efficacy (LPW) <sup>2</sup>	UGR <sup>2</sup>	Photometry Report	IES File	Flux (lm/4ft) <sup>1</sup>	Efficacy (LPW) <sup>2</sup>	UGR <sup>2</sup>	Photometry Report	IES File	Flux (lm/4ft) <sup>1</sup>	Efficacy (LPW) <sup>2</sup>	UGR <sup>2</sup>	Photometry Report	IES File	Flux (lm/4ft) <sup>1</sup>	Efficacy (LPW) <sup>2</sup>	UGR <sup>2</sup>	Photometry Report	IES File
4000	30.9	3,828	123.9	15.7	PDF	IES	3,911	126.6	15.7	PDF	IES	4,063	131.5	15.9	PDF	IES	4,108	132.9	15.9	PDF	IES	4,150	134.3	16.0	PDF	IES
3500	27.0	3,336	123.6	15.2	PDF	IES	3,405	126.1	15.3	PDF	IES	3,541	131.1	15.4	PDF	IES	3,579	132.6	15.4	PDF	IES	3,614	133.9	15.5	PDF	IES
3000	23.3	2,860	122.7	14.7	PDF	IES	2,918	125.2	14.7	PDF	IES	3,036	130.3	14.9	PDF	IES	3,067	131.6	14.9	PDF	IES	3,097	132.9	14.9	PDF	IES
2500	19.1	2,400	125.7	14.1	PDF	IES	2,449	128.2	14.1	PDF	IES	2,549	133.5	14.3	PDF	IES	2,574	134.8	14.3	PDF	IES	2,599	136.1	14.3	PDF	IES
2000	15.6	1,911	122.5	13.3	PDF	IES	1,950	125.0	13.3	PDF	IES	2,031	130.2	13.5	PDF	IES	2,048	131.3	13.5	PDF	IES	2,069	132.6	13.5	PDF	IES
1500	12.2	1,441	118.1	12.3	PDF	IES	1,471	120.6	12.4	PDF	IES	1,533	125.7	12.5	PDF	IES	1,544	126.6	12.5	PDF	IES	1,560	127.9	12.6	PDF	IES
1000	8.8	942	107.0	10.8	PDF	IES	960	109.1	10.9	PDF	IES	1,003	114.0	11.0	PDF	IES	1,008	114.5	11.0	PDF	IES	1,020	115.9	11.1	PDF	IES

### Direct (2301) Performance 27° Narrow Beam w/ MesoOptic louver

Click "PDF" or "IES" text to download

Nominal CRI & CCT		CRI 90, 2700K					CRI 90, 3000K					CRI 90, 3500K					CRI 90, 4000K					CRI 90, 5000K				
Nominal Lumen Package (lm/4ft)	Watts (W)	Flux (lm/4ft) <sup>1</sup>	Efficacy (LPW) <sup>2</sup>	UGR <sup>2</sup>	Photometry Report	IES File	Flux (lm/4ft) <sup>1</sup>	Efficacy (LPW) <sup>2</sup>	UGR <sup>2</sup>	Photometry Report	IES File	Flux (lm/4ft) <sup>1</sup>	Efficacy (LPW) <sup>2</sup>	UGR <sup>2</sup>	Photometry Report	IES File	Flux (lm/4ft) <sup>1</sup>	Efficacy (LPW) <sup>2</sup>	UGR <sup>2</sup>	Photometry Report	IES File	Flux (lm/4ft) <sup>1</sup>	Efficacy (LPW) <sup>2</sup>	UGR <sup>2</sup>	Photometry Report	IES File
4000	30.9	3,763	121.8	10.9	PDF	IES	3,844	124.4	11.0	PDF	IES	3,993	129.2	11.2	PDF	IES	4,038	130.7	11.2	PDF	IES	4,079	132.0	11.2	PDF	IES
3500	27.0	3,279	121.4	10.5	PDF	IES	3,347	124.0	10.5	PDF	IES	3,480	128.9	10.7	PDF	IES	3,518	130.3	10.7	PDF	IES	3,552	131.6	10.7	PDF	IES
3000	23.3	2,811	120.6	9.9	PDF	IES	2,868	123.1	10.0	PDF	IES	2,984	128.1	10.1	PDF	IES	3,015	129.4	10.2	PDF	IES	3,044	130.6	10.2	PDF	IES
2500	19.1	2,359	123.5	9.3	PDF	IES	2,407	126.0	9.4	PDF	IES	2,506	131.2	9.5	PDF	IES	2,530	132.5	9.6	PDF	IES	2,555	133.8	9.6	PDF	IES
2000	15.6	1,878	120.4	8.5	PDF	IES	1,917	122.9	8.6	PDF	IES	1,996	127.9	8.7	PDF	IES	2,013	129.0	8.8	PDF	IES	2,034	130.4	8.8	PDF	IES
1500	12.2	1,416	116.1	7.6	PDF	IES	1,446	118.5	7.6	PDF	IES	1,507	123.5	7.8	PDF	IES	1,517	124.3	7.8	PDF	IES	1,534	125.7	7.8	PDF	IES
1000	8.8	926	105.2	6.1	PDF	IES	944	107.3	6.1	PDF	IES	986	112.0	6.3	PDF	IES	991	112.6	6.3	PDF	IES	1,002	113.9	6.4	PDF	IES

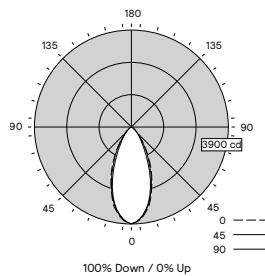
### Direct (2301) Performance 17° Graze Beam w/ MesoOptic louver

Click "PDF" or "IES" text to download

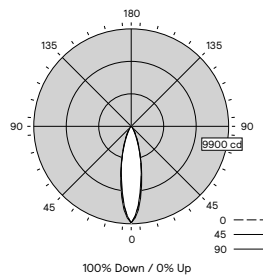
Nominal CRI & CCT		CRI 90, 2700K					CRI 90, 3000K					CRI 90, 3500K					CRI 90, 4000K					CRI 90, 5000K				
Nominal Lumen Package (lm/4ft)	Watts (W)	Flux (lm/4ft) <sup>1</sup>	Efficacy (LPW) <sup>2</sup>	UGR <sup>2</sup>	Photometry Report	IES File	Flux (lm/4ft) <sup>1</sup>	Efficacy (LPW) <sup>2</sup>	UGR <sup>2</sup>	Photometry Report	IES File	Flux (lm/4ft) <sup>1</sup>	Efficacy (LPW) <sup>2</sup>	UGR <sup>2</sup>	Photometry Report	IES File	Flux (lm/4ft) <sup>1</sup>	Efficacy (LPW) <sup>2</sup>	UGR <sup>2</sup>	Photometry Report	IES File	Flux (lm/4ft) <sup>1</sup>	Efficacy (LPW) <sup>2</sup>	UGR <sup>2</sup>	Photometry Report	IES File
4000	30.9	3,773	122.1	12.7	PDF	IES	3,855	124.8	12.7	PDF	IES	4,004	129.6	12.9	PDF	IES	4,049	131.0	12.9	PDF	IES	4,090	132.4	12.9	PDF	IES
3500	27.0	3,288	121.8	12.2	PDF	IES	3,356	124.3	12.3	PDF	IES	3,490	129.3	12.4	PDF	IES	3,527	130.6	12.4	PDF	IES	3,562	131.9	12.5	PDF	IES
3000	23.3	2,818	120.9	11.6	PDF	IES	2,876	123.4	11.7	PDF	IES	2,992	128.4	11.9	PDF	IES	3,023	129.7	11.9	PDF	IES	3,052	131.0	11.9	PDF	IES
2500	19.1	2,366	123.9	11.0	PDF	IES	2,414	126.4	11.1	PDF	IES	2,513	131.6	11.3	PDF	IES	2,537	132.8	11.3	PDF	IES	2,562	134.1	11.3	PDF	IES
2000	15.6	1,883	120.7	10.2	PDF	IES	1,922	123.2	10.3	PDF	IES	2,002	128.3	10.5	PDF	IES	2,019	129.4	10.5	PDF	IES	2,040	130.8	10.5	PDF	IES
1500	12.2	1,420	116.4	9.3	PDF	IES	1,450	118.9	9.3	PDF	IES	1,511	123.9	9.5	PDF	IES	1,522	124.8	9.5	PDF	IES	1,538	126.1	9.5	PDF	IES
1000	8.8	928	105.5	7.8	PDF	IES	946	107.5	7.9	PDF	IES	989	112.4	8.0	PDF	IES	994	113.0	8.0	PDF	IES	1,005	114.2	8.1	PDF	IES

- 1ft Luminaire photometry has been conducted in accordance with IES LM-79-08. IES files can be downloaded by clicking the links in the table above, or online at ledalite.com. Luminaires with finishes other than standard white may result in a drop in flux and efficacy.
- Unified Glare Ratio (UGR) is calculated in accordance with CIE 117-1995. Reference conditions of 4Hx8Hx1H and reflectances of 70/50/20% have been applied using the procedure described in CIE 190-2010.
- Photometry in tables above is based on white louvers. Photometry data for other color louvers is available for download on our website.
- Photometry is for full louver configuration. For lens/louver combination, please scale separate IES files for lens and louver sections.

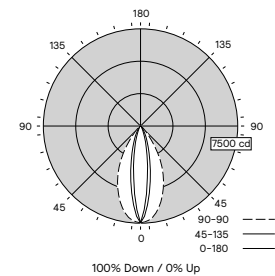
#### Performance Symmetric 48° Medium Beam MesoOptics louver Spacing Criteria: 0.75/0.70



#### Performance 27° Narrow Beam MesoOptics louver Spacing Criteria: 0.41/0.40



#### Performance 17° Graze Beam MesoOptics louver Spacing Criteria: 0.28/0.82



Candela plots shown are for 3000lm/4ft, CRI 90, 3500K configurations.

© 2025 Signify Holding. All rights reserved. The information provided herein is subject to change, without notice. Signify does not give any representation or warranty as to the accuracy or completeness of the information included herein and shall not be liable for any action in reliance thereon. The information presented in this document is not intended as any commercial offer and does not form part of any quotation or contract, unless otherwise agreed by Signify.



Signify North America Corp.  
400 Crossing Blvd, Suite 600  
Bridgewater, NJ 08807  
Telephone: 800-555-0050

Signify Canada Ltd.  
281 Hillmount Road,  
Markham, ON, Canada L6C 2S3  
Telephone: 800-668-9008

All trademarks are owned by Signify Holding or their respective owners.