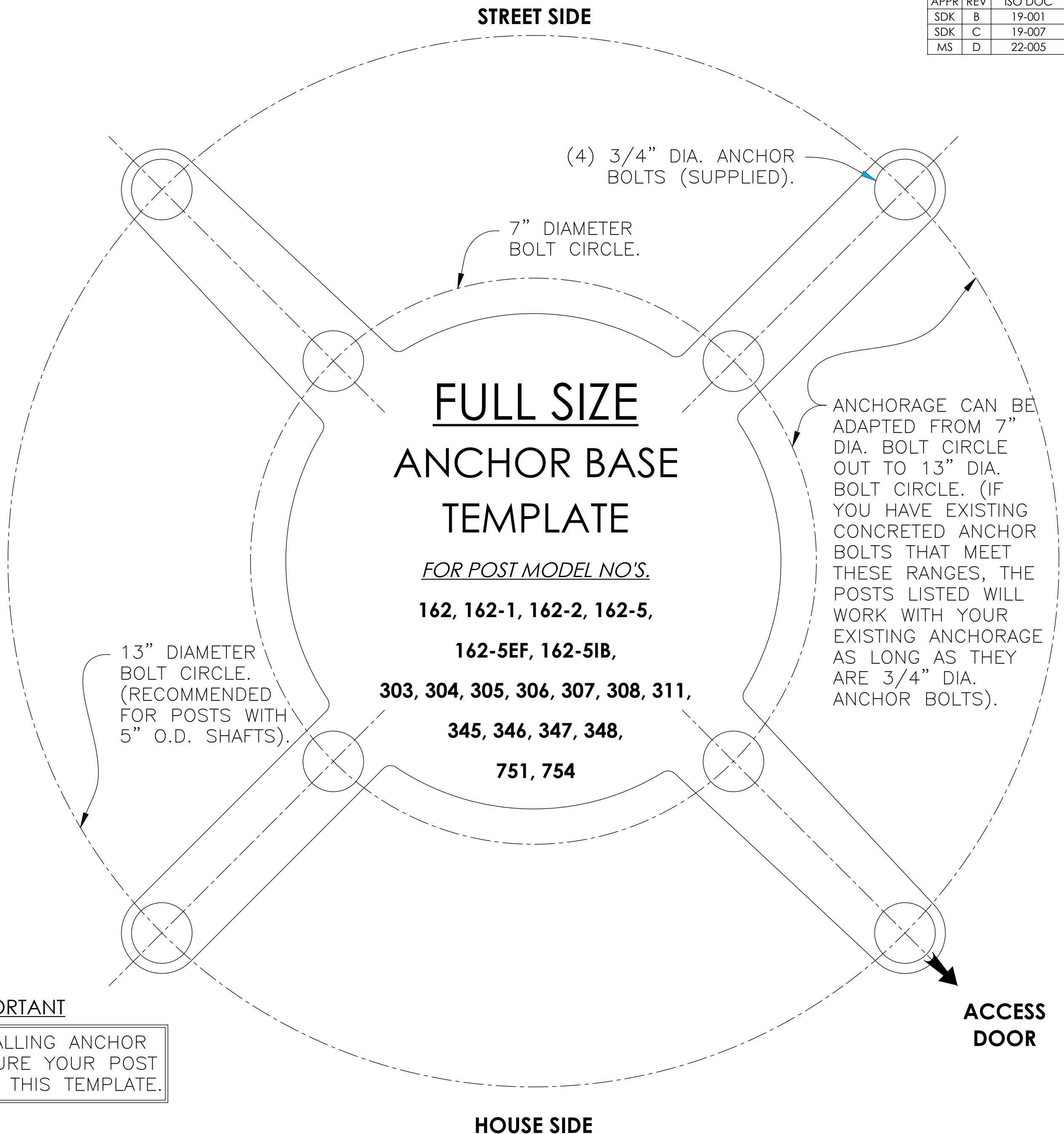
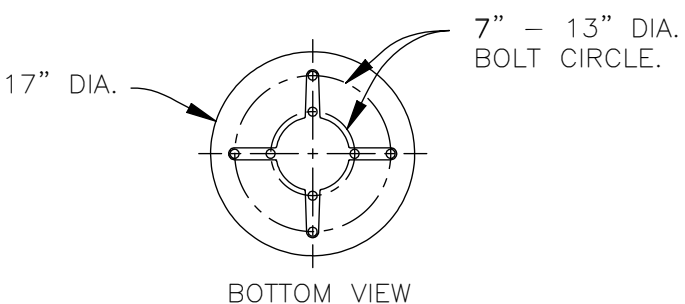
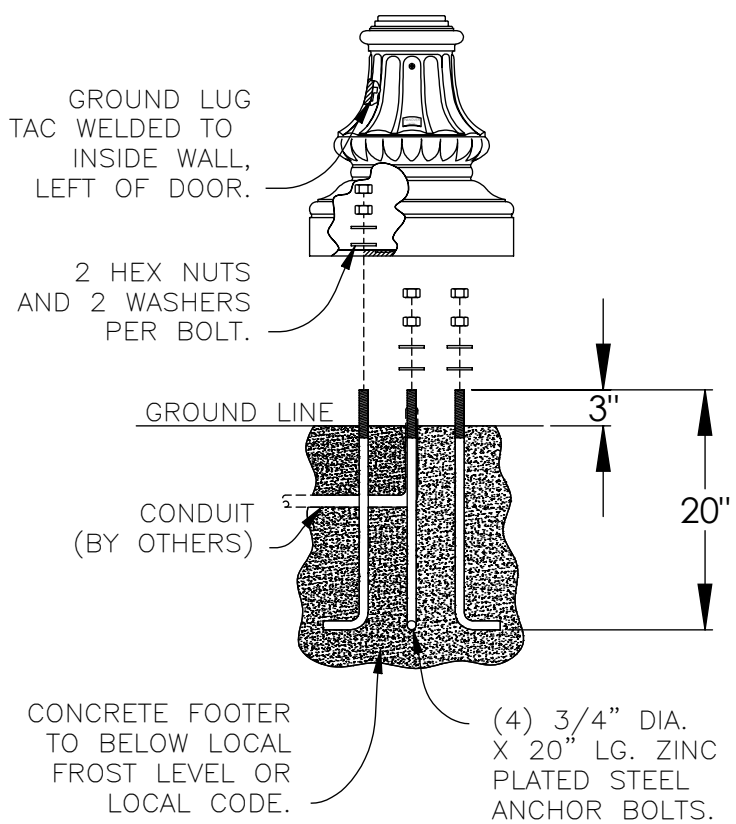


APPR	REV	ISO DOC	BY	DATE
SDK	B	19-001	AMP	5/3/2019
SDK	C	19-007	ATV	7/2/2019
MS	D	22-005	MDS	5/10/2022



**IMPORTANT**

BEFORE INSTALLING ANCHOR BOLTS, BE SURE YOUR POST IS LISTED ON THIS TEMPLATE.



	<small>CONFIDENTIAL: This drawing is confidential and proprietary to Signify Holdings and may not be reproduced in whole or in part without the express written consent of Signify Holdings. © 2018 Signify Holdings. All rights reserved.</small>		<small>TITLE:</small> ANCHOR ROD TEMPLATE, 7"-13" BOLT CIRCLE
	<small>UNLESS OTHERWISE SPECIFIED:</small> *ALL DIMENSIONS ARE IN INCHES. *ALL THREADS ARE UNC-2B OR UNF-2B AFTER COATING. *ALL THREADS ARE TO BE VERIFIED WITH A THREAD GAGE.	<small>DRAWN BY:</small> A.GILCHRIST <small>CHECKED BY:</small> <small>APPR BY:</small> B.DORON	<small>DRW SIZE:</small> C <small>DATE:</small> 3/17/11 <small>DATE:</small> <small>DATE:</small> 3/17/11
<small>* DO NOT SCALE THIS DRAWING *</small>		<small>EF-04-01-11 Rev.09</small>	<small>SCALE 1:16</small>
		<small>SHEET 1 OF 1</small>	<small>PART NO: 32H20-274-00</small>