



by Signify

Mounting instructions

Skylight

NatureConnect

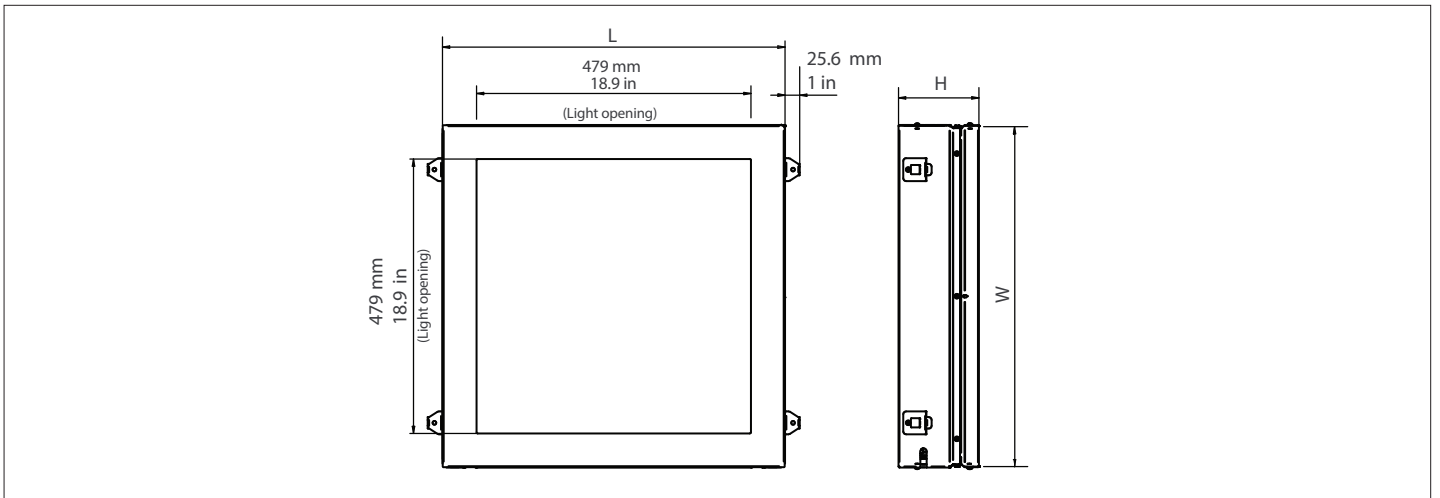
1x

4x #8

Tools not included

- PH2
- X4
- X2

	Power	Dimensions LxWxH	
Skylight	45 W	598x598x141mm 23.54 x 23.54x 5.53 in	12.7 kg 28 lb

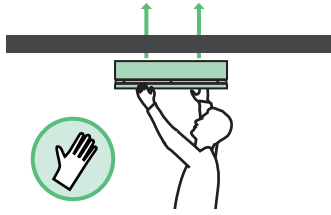


Installation in NatureConnect island

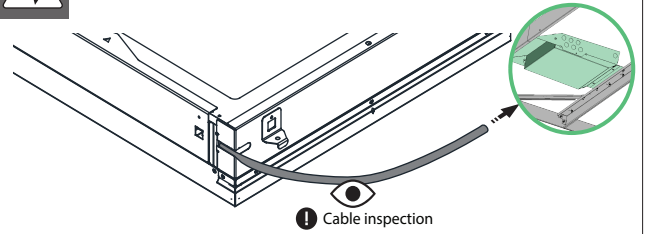
1 For more detailed mounting instruction, please consult your Signify representative for the NatureConnect system installation manual.



Always use gloves when installing luminaire.



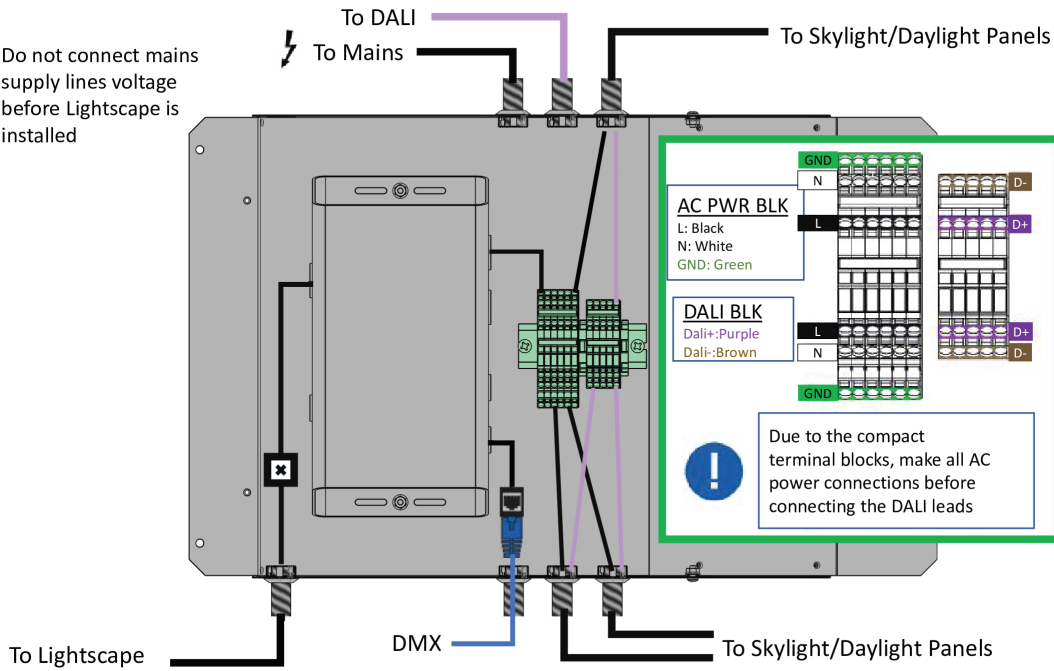
Connection to mains



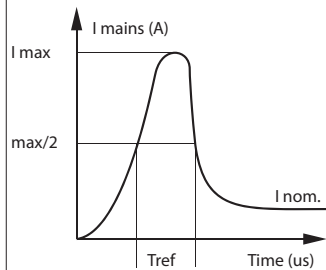
1



Do not connect mains supply lines voltage before Lightscape is installed



Inrush current



Electrical characteristics

Max. inrush Current 200mA²s

MCB	Max n. of lumin.
B-10 A	21
B-16 A	34
C-10 A	21
C-16 A	34

- The luminaire shall be installed by a qualified electrician and wired in accordance with the latest IEE electrical regulations or the national requirements.
- The light source of this luminaire is not replaceable; when the light source reached its end of life the whole luminaire shall be replaced.
- If the external flexible cable or cord of this luminaire is damaged, it shall be exclusively replaced by the manufacturer, his service agent or similar qualified person in order to avoid hazard.
- During installation or maintaining the luminaire please use gloves to avoid spots on the cover.
- To remove dust and spots use the following:
 - Dust: use micro fiber cloths only
 - Fingerprints, etc.: use a cleaner for synthetic materials with antistatic properties.
- The product is IPX0 & as such is not protected against water ingress & as such we strongly recommend that the environment in which the luminaire is to be installed is suitably checked.
- If the above advice is not taken and the luminaires are subject to water ingress, Signify cannot guarantee safe failure & product warranty will become void.

Note: This equipment has been tested and found to comply with the limits for Class A digital device, pursuant to part 15 of the FCC Rules. These limits are designed to provide reasonable protection against harmful interference when the equipment is operated in a commercial environment. This equipment generates, uses, and can radiate radio frequency energy and, if not installed and used in accordance with the instruction manual, may cause harmful interference to radio communications. Operation of this equipment in a residential area is likely to cause harmful interference in which case the user will be required to correct the interference at his own expense.