

Read and understand these instructions before installing luminaire.



This luminaire is intended for installation in accordance with the National Electrical Code and Local Regulations. To assure full compliance with local codes and regulations, check with your local electrical inspector before installation. To prevent electrical shock, turn off electricity at fuse box before proceeding. Retain these instructions for maintenance reference.

Retain these instructions for maintenance reference

Installation for

- C2LDL
- C2LLW
- C2LDLLS
- CX2LDL
- C2X2LLW

Caution (RISK OF FIRE)

DO NOT INSTALL INSULATION WITHIN 3 INCHES OF FIXTURE SIDES OR WIRING COMPARTMENT, NOR ABOVE FIXTURE IN SUCH A MANNER SO AS TO ENTRAP HEAT

Items needed for Installation:

1. C2L_ SERIES or C2X2L_ SERIES Finishing Trim
2. C2L_DL SERIES Frame-in Kit (Installed)
3. Clean Cloth

RECOMMENDATION: If handling reflectors with an anodized finish, the use of clean white or plastic film gloves is recommended to avoid fingerprints.

Frame-in Kit:

1. See C2L_DL FIK Instruction Sheet

Installation instructions

Finishing Trim Installation:

1. Install trim into C2L_DL SERIES Frame-in Kit (already installed in ceiling), by aligning 2qty extruded features, located on opposite sides of the finishing trim, with the slots located on the inside of the frame-in kit (See Fig. 1). Once aligned, push trim through opening until top of flange is flush with the ceiling surface, then twist finishing trim clockwise until it 'snaps' in to place (See Fig 2).
2. Once installed, the Finishing Trim can be manually rotated up to 90 degrees to allow for aiming/adjustment of directional finishing trims (C2LLW, C2X2LLW & C2LDLLS Series) (See Fig. 3).

Fig. 1

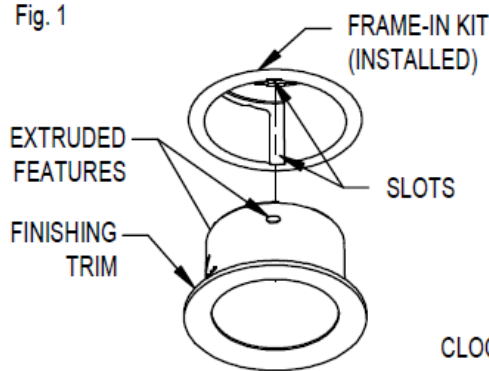


Fig. 2

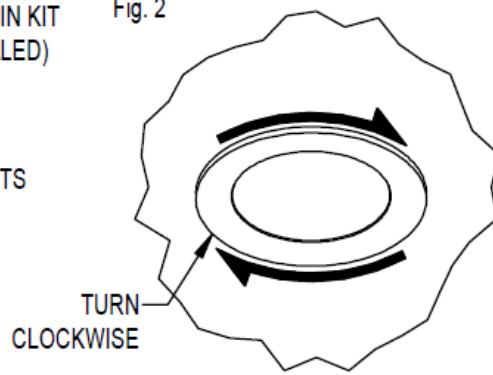
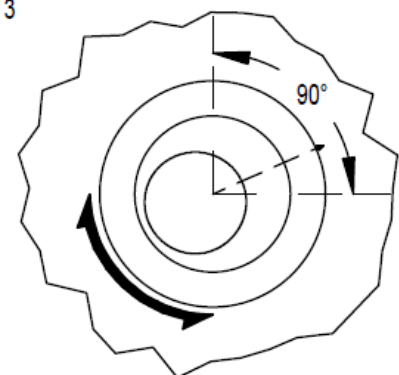


Fig. 3

**Finishing Trim Removal**

1. Remove Finishing Trim by rotating CCW until it 'snaps' and can no longer be rotated, at which point the Finishing Trim can be easily pulled downward and removed from Frame-in Kit.

CARE AND MAINTENANCE

Anodized surfaces can be cleaned by the following methods:

1. Wipe off with a soft, clean, dry, lint free cloth (Cloth can be dampened in mild detergent if desired.)
2. Wipe off with a clean cloth dampened with a solution of wetting agent and water (ex. 2 oz. per gallon "Pluronic L62-LF" by Wyandotte Products).
3. Wipe dry.

