



TownTune
ASYMMETRIC
BDP265/266/267/268
BDP270/271/272/273
Brand: Philips, Signify

Scan me!
DOWNLOAD

Scan me!
DOWNLOAD

outdoor

220V
240V

50Hz
60Hz

IP66

IK10

Max. 50°C
Min. -40°C

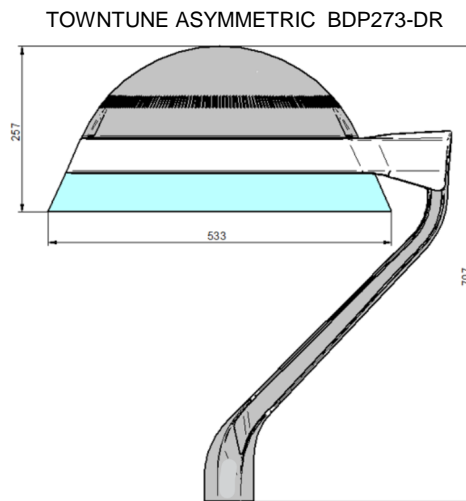
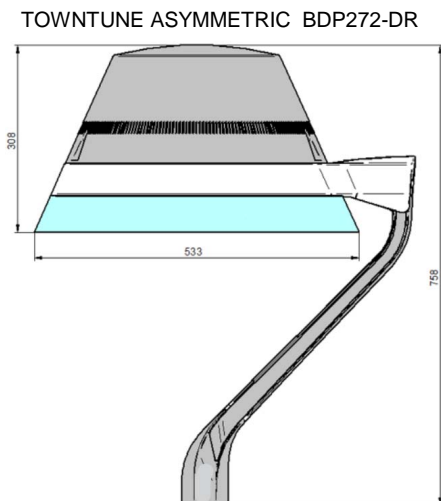
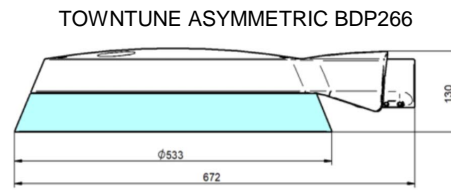
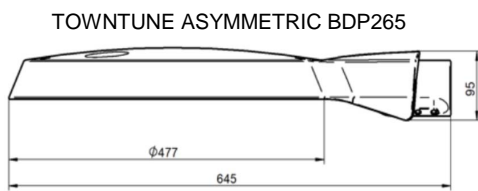
4-8m

The luminaire should be positioned so that prolonged staring into the luminaire at a distance closer than 0,34 m is not expected.

| LED COLOUR | LEDGINE platform | 420 | 518 | 610 | 718 | 722 | 727 | 730 | 740 | 757 | 827 | 830 | 840 |
|--------------------------------------|------------------|-----|-----|-----|-----|-----|-----|-----|-----|-----|-----|-----|-----|
| Light Source Energy efficiency class | Ledgine-O (4S) | D | D | E | - | D | C | D | D | B | D | D | C |
| | Ledgine-O (1P) | - | - | - | D | C | B | B | A | B | - | C | B |

| Driver | Full Prog driver | | | System Ready driver | | | Connected Ready Driver | | | Lite Prog driver | | | Basic Prog driver | | |
|---------------------|------------------|----------|-----------------|---------------------|----------|---------------------|------------------------|----------|-------------------|------------------|----------|-------------------|-------------------|----------|-------------------|
| | MCB | σ | Inrush current | MCB | σ | Inrush current | MCB | σ | Inrush current | MCB | σ | Inrush current | MCB | σ | Inrush current |
| 22W (0,2-0,7)A | B16A | 48 | 12A/270 μ s | B16A | - | - | B16A | - | - | B16A | 48 | 11,3A/220 μ s | B16A | 48 | 11,5A/220 μ s |
| 22W(0,2-1,0)A | B16A | - | - | B16A | 30 | 15,7A/226 μ s | B16A | 46 | 21,6A/131 μ s | B16A | - | - | B16A | - | - |
| 40W (0,2-0,7)A | B16A | 30 | 18A/280 μ s | B16A | - | - | B16A | - | - | B16A | 32 | 18,7A/195 μ s | B16A | 32 | 19A/210 μ s |
| 40W (0,2-1,0)A | B16A | - | - | B16A | 30 | 24,6A/159,5 μ s | B16A | 30 | 35,4A/122 μ s | B16A | - | - | B16A | - | - |
| 75W (0,2-0,7)A S240 | B16A | 11 | 46A/250 μ s | B16A | 31 | 9,6A/130 μ s | B16A | - | - | B16A | 11 | 46A/250 μ s | B16A | - | - |
| 75W (0,2-0,7)A C133 | B16A | 10 | 43A/260 μ s | B16A | - | - | B16A | - | - | B16A | 10 | 43A/270 μ s | B16A | 10 | 30A/320 μ s |

| Luminaire | Dimensions (in mm) | | | m^2 | $SCx (m^2)$ | kg +/-5% |
|-------------------------------|--------------------|-----|-----|-------|-------------|---------------|
| | | | | | | |
| TOWNTUNE ASYMMETRIC BDP265 | 645 | 477 | 95 | 0,042 | 0,033 | 6,8 |
| TOWNTUNE ASYMMETRIC BDP266 | 672 | 533 | 130 | 0,066 | 0,036 | 7,4 |
| TOWNTUNE ASYMMETRIC BDP272-DR | 758 | 533 | 308 | 0,13 | 0,132 | 12,3 |
| TOWNTUNE ASYMMETRIC BDP273-DR | 707 | 533 | 257 | 0,11 | 0,112 | 12 |

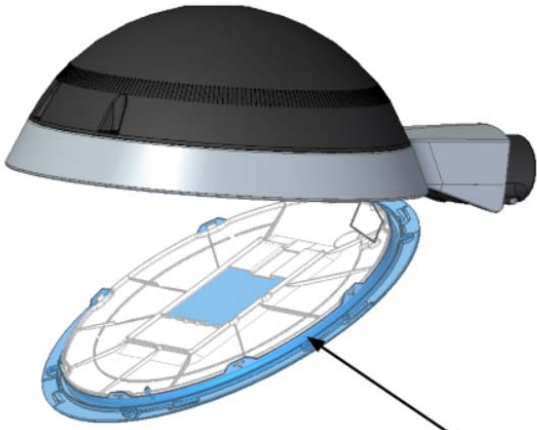


583 - 443000020785

2026-01-23
© Signify Holding
All rights reserved



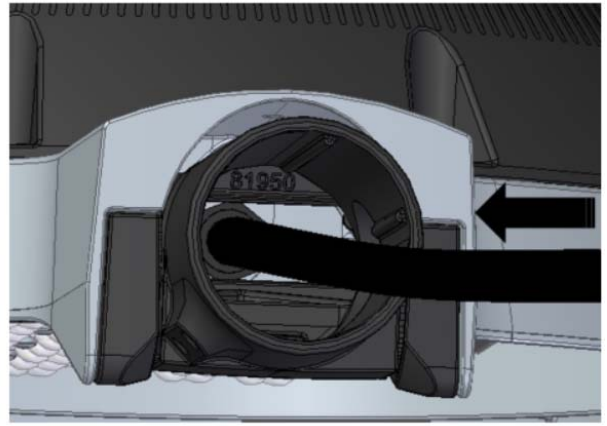
OPEN/CLOSE/MOUNTING CABLE (BDP265/266/267/268 versions)



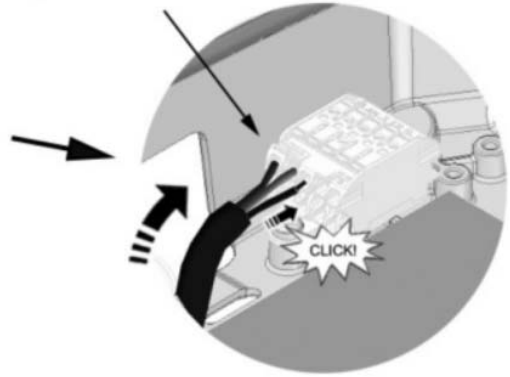
SCREWS WITH RETENTION SYSTEM



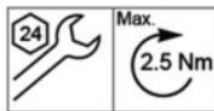
T20 1,5 Nm



always connect to upper terminals of the connector

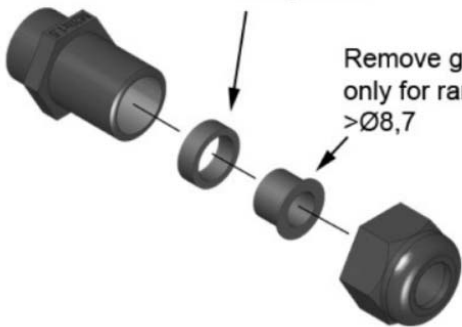


STANDARD VERSION

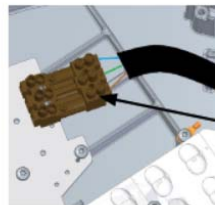


Don't remove this gasket

Remove gasket only for range cable >Ø8,7



LC05 VERSION



4x0,8 mm
Min. 0,8 Nm



Allowed cable range Ø5-Ø8,7-Ø12 mm



BRACKET POLE FIXATION (BDP265/266/267/268 versions)




15 Nm **4**

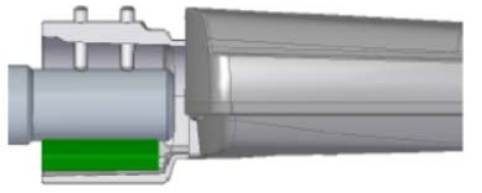
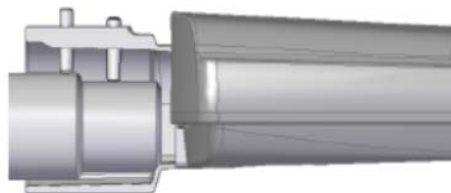
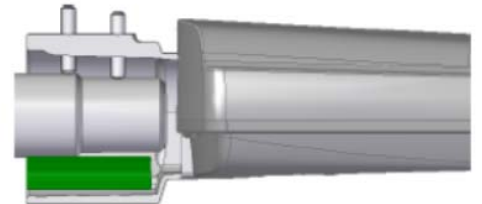
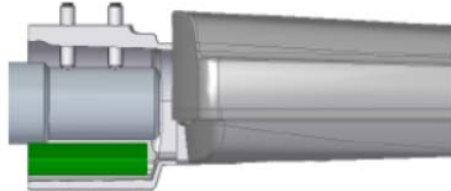
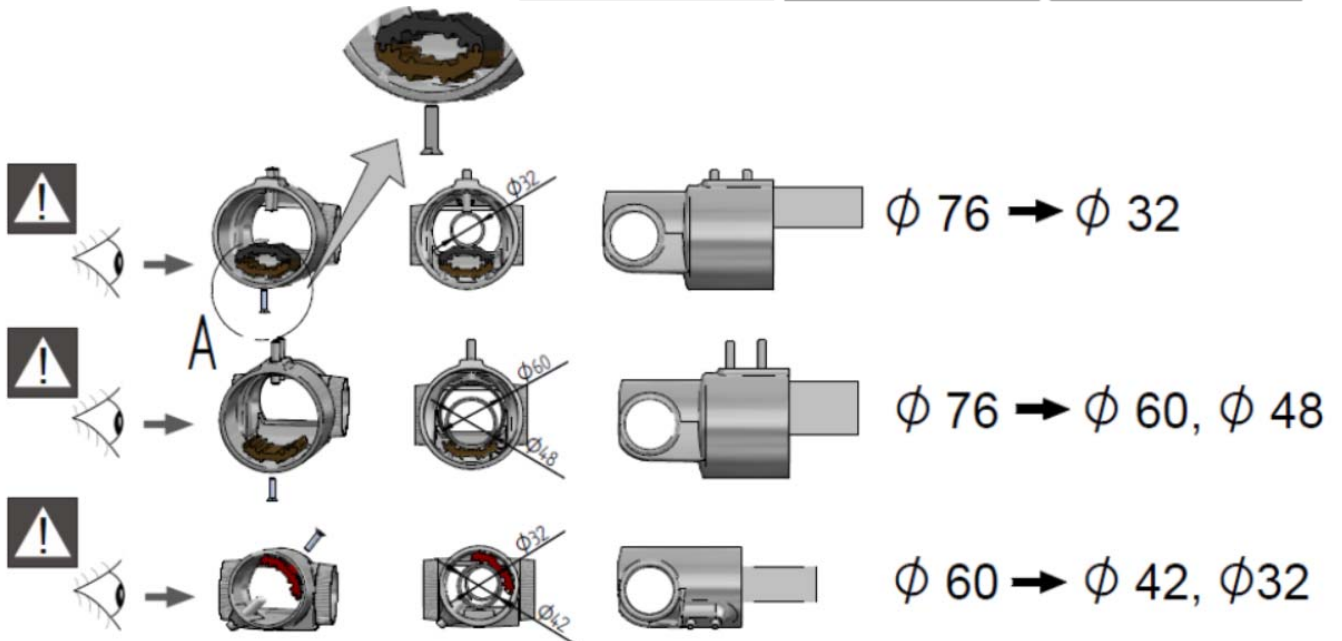


Tilt options for side entry version: +10° to -90°

Tilt options for post-top version: 0° to +10°



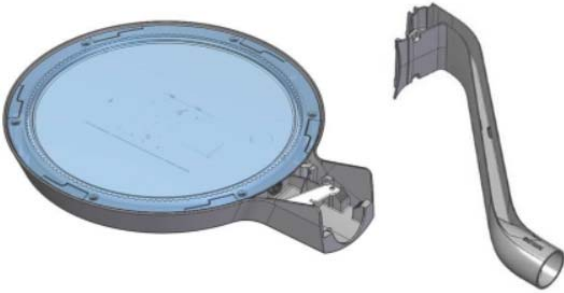
| | | | | | |
|---|---------------------|--|---------------------|---|------------------|
|  | \varnothing 32-48 |  | \varnothing 48-60 |  | \varnothing 76 |
|  | \varnothing 32-48 |  | \varnothing 48-60 |  | \varnothing 76 |





OPEN/CLOSE/MOUNTING CABLE (BDP270/271/272/273 versions)

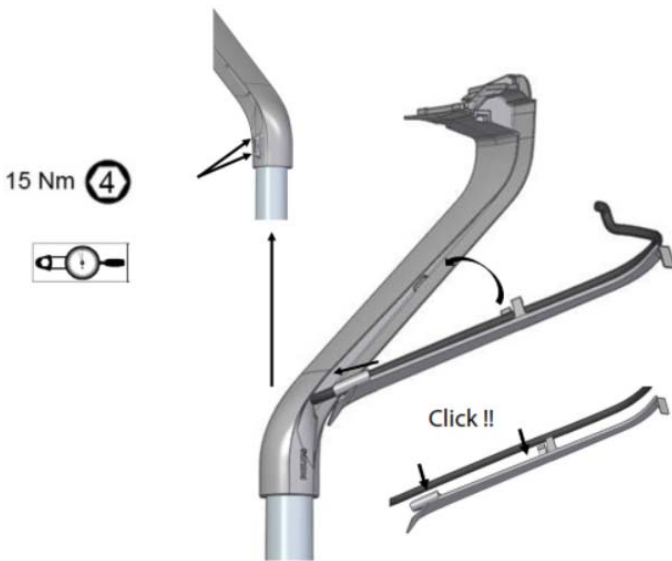
1 Take the parts from the box



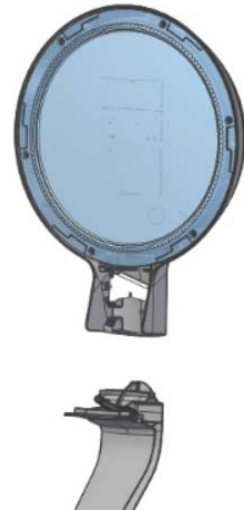
2 Put the cable sticking out the pole to the LYRE bracket hole



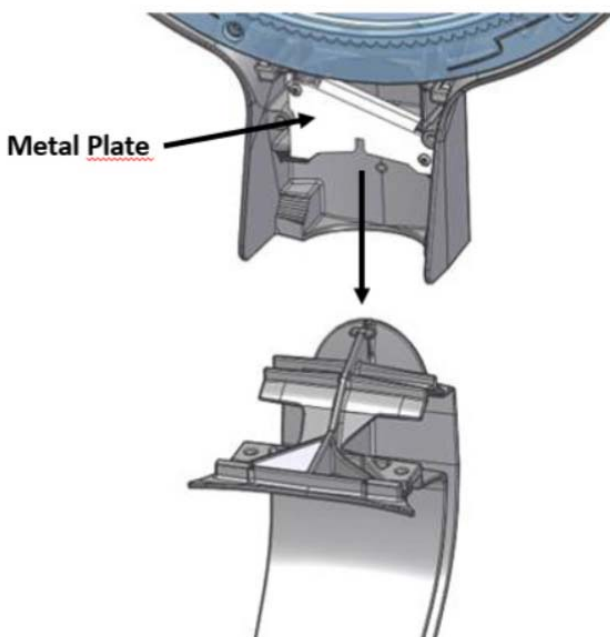
3 Connect LYRE bracket and pole, tightening 2 screws on the bottom



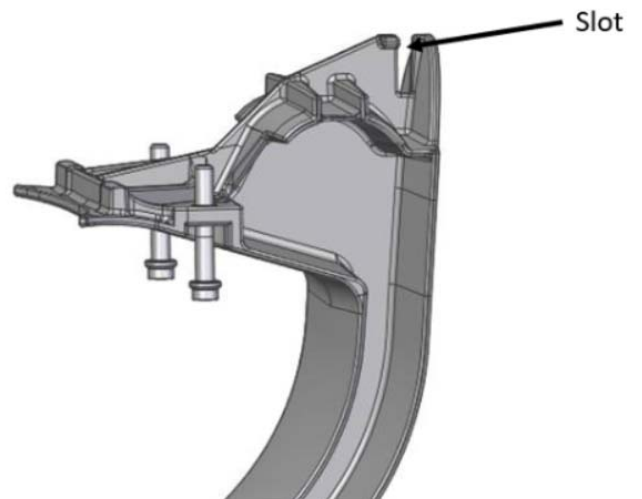
4 Connect LYRE bracket and luminaire on the vertical position the bottom



5 Use Slot and metal plate for connection



To connect LYRE bracket and luminaire use Slot in the bracket and metal plate connected to the luminaire

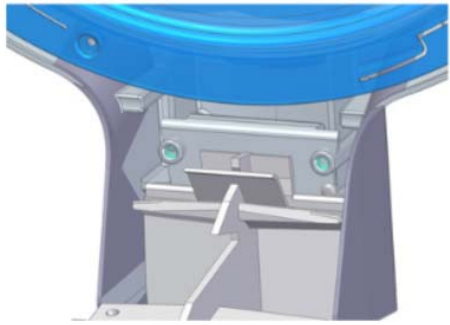




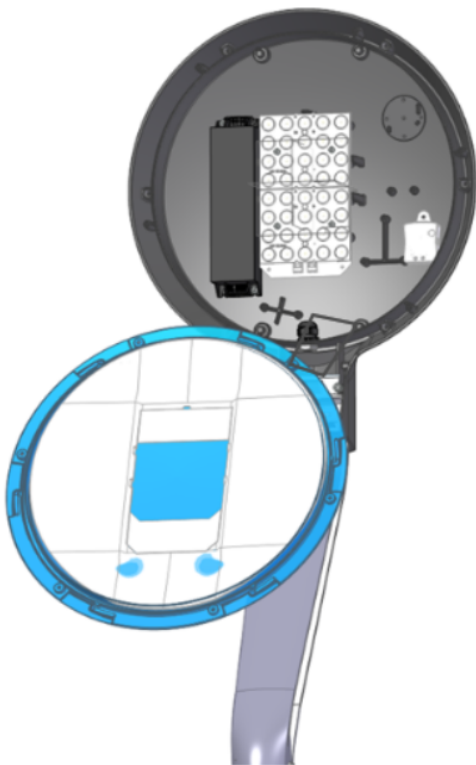
OPEN/CLOSE/MOUNTING CABLE (BDP270/271/272/273 versions)

6 Luminaire on Vertical Position

When the luminaire is "parked" on the vertical position, you have 2 hands free for starting electrical installation



7 Bowl opening



- Unscrew 6 bowl screws
- Don't worry – retainers will keep screws with bowls still
- When the bowl is unfixed you can lower down

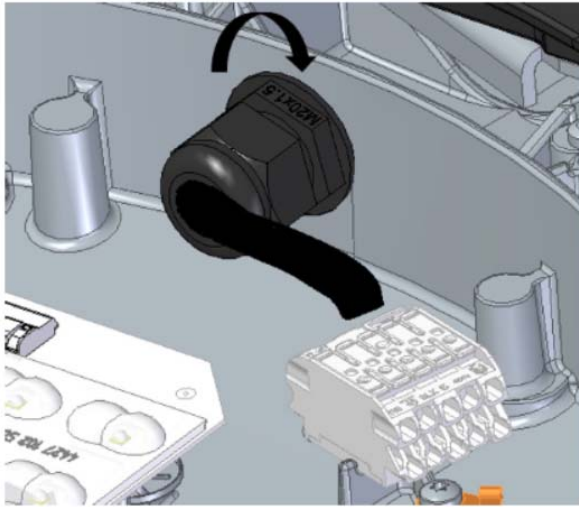
In case of bowl with white mask

- Set will be kept by bowl holder
- Put the cable to the cable gland hole
- Make electrical connection
- Tighten the cable gland

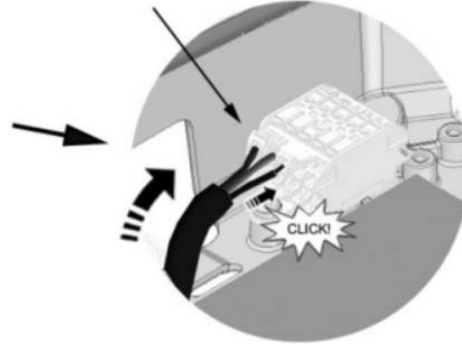


OPEN/CLOSE/MOUNTING CABLE (BDP270/271/272/273 versions)

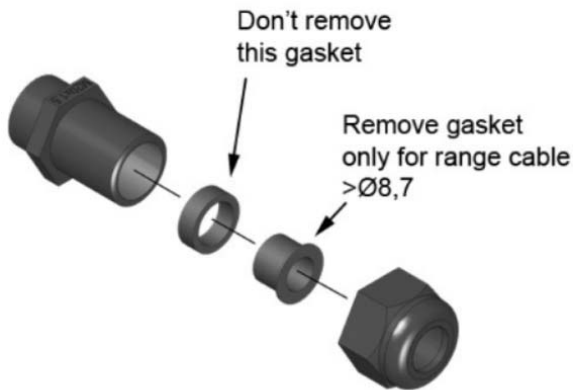
8 Cabling connection



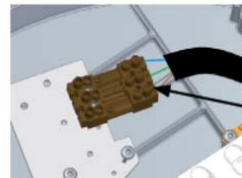
always connect to upper terminals of the connector



STANDARD VERSION



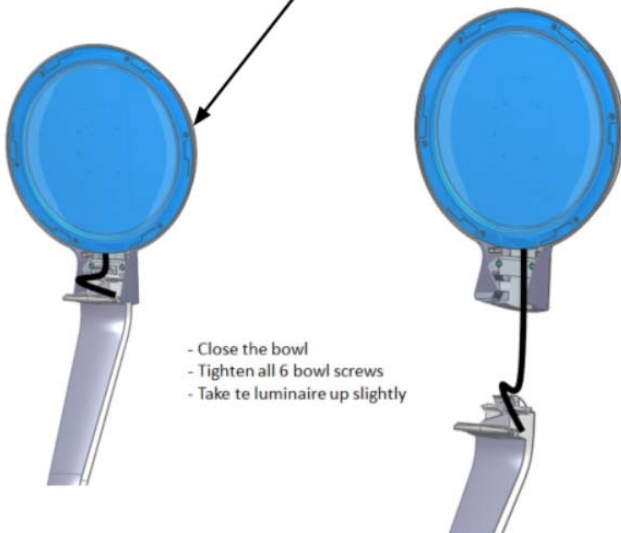
LC05 VERSION



4x0,8 mm
Min. 0,8 Nm

9 Bowl closing

T20 1,5 Nm



- Close the bowl
- Tighten all 6 bowl screws
- Take te luminaire up slightly

10 Put luminaire on final positioning

Tilt options for Lyre version: 0° to +10°



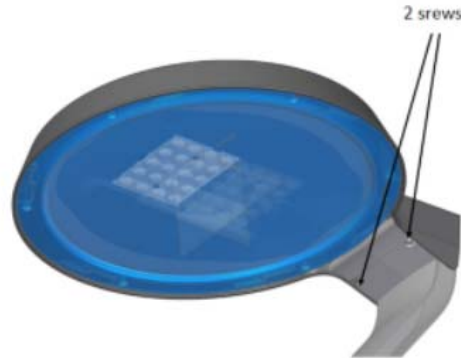
Put the luminaire to the final position on the LYRE bracket



OPEN/CLOSE/MOUNTING CABLE (BDP270/271/272/273 versions)

11 Final fixation of the luminaire to the lyre

- Keeping the luminaire one hand on front, tighten 2 screws
- Add accessories if needed



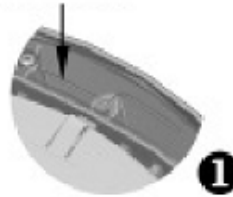
4 10 Nm



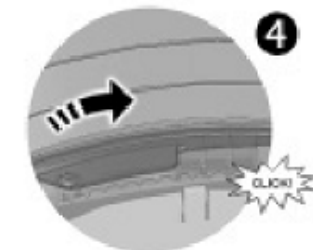
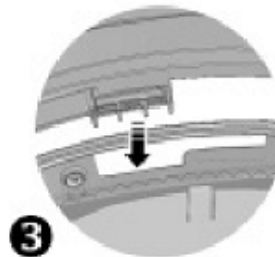
DECORATIVE RING FIXATION



Break flanges carefully using screwdriver



Remove this part (6x)



Turn around 10° degrees for fixing decorative ring



MOUNTING OF PHOTOCELLS

Citytouch OLC COM SR

2x type A
 2x type B
 1x type A + 1x type B
 1x type A + 1x type B + D11/D12(LS)

1

Citytouch OLC NEMA SR

1. Push Downward 2. Twist Clockwise Lock

Photocell

2

TYPES OF MAINS CONNECTION STANDARD VERSION

(PSU) (PSA) (PSDD) CONNECTION

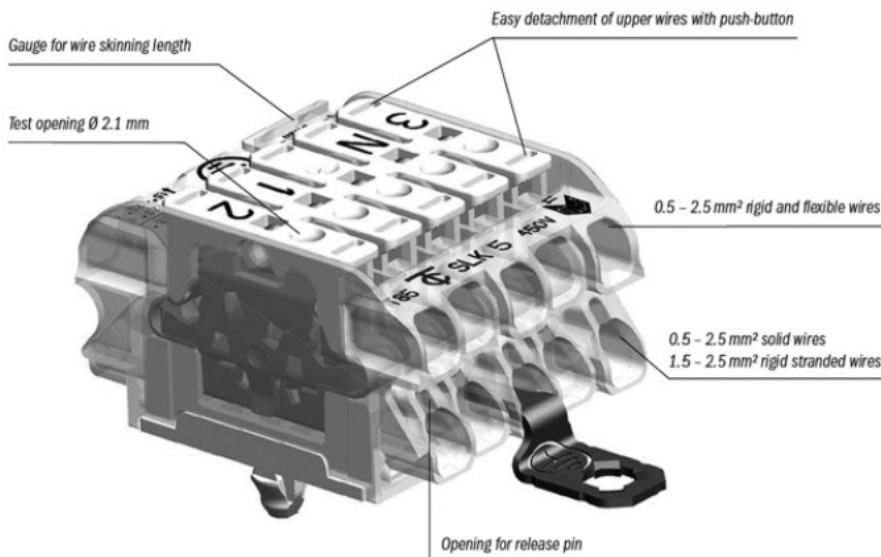
| Class-I | | | Class-II | | |
|---------|---|----------------------------|----------|---|---------------------------------------|
| | 3 | LINE (Brown) | | 1 | LINE (Brown) |
| | N | NEUTRAL (Blue) | | 2 | NEUTRAL (Blue) |
| | | GROUND (Yellow & Green) | | 3 | (Optional for installer) GROUND |
| | 1 | - | | 4 | - |
| | 2 | - | | 5 | - |

(PSD) CONNECTION


| Class-I | | | Class-II | | |
|---------|---|----------------------------|----------|---|---------------------------------------|
| | 3 | LINE (Brown) | | 1 | LINE (Brown) |
| | N | NEUTRAL (Blue) | | 2 | NEUTRAL (Blue) |
| | | GROUND (Yellow & Green) | | 3 | (Optional for installer) GROUND |
| | 1 | DALI | | 4 | DALI |
| | 2 | DALI | | 5 | DALI |

(PSR) CONNECTION


| Class-I | | | Class-II | | |
|---------|---|----------------------------|----------|---|---------------------------------------|
| | 3 | LINE (Brown) | | 1 | LINE (Brown) |
| | N | NEUTRAL (Blue) | | 2 | NEUTRAL (Blue) |
| | | GROUND (Yellow & Green) | | 3 | (Optional for installer) GROUND |
| | 1 | - | | 4 | - |
| | 2 | Lineswitch | | 5 | Lineswitch |



| | |
|--------------------------------|--|
| Nominal voltage | 450 V |
| Nominal current | 24 A |
| Clamping range upper terminals | 0.5 - 2.5 mm ² rigid and flexible wires detachment of wire with push-button |
| Clamping range lower terminals | 0.5 - 2.5 mm ² solid wires, 1.5 - 2.5 mm ² rigid stranded wires, detachment of wire with release pin |
| Wire skinning length | 9 ± 1 mm |



| | |
|--------------------------------|--|
| Nominal voltage | 300 V according to EN 60598-1 |
| Nominal current | 24 A |
| Clamping range upper terminals | 0.5 - 2.5 mm ² rigid and flexible wires detachment of wire with push-button |
| Clamping range lower terminals | 0.5 - 2.5 mm ² solid wires, 1.5 - 2.5 mm ² rigid stranded wires, detachment of wire with release pin |
| Wire skinning length | 9 ± 1 mm |



TYPES OF MAINS CONNECTION LC05 VERSION

(PSU) (PSA) (PSDD) CONNECTION

| Class-I | | | Class-II | | |
|---------|---|----------------------------|----------|---|-------------------|
| | L | LINE (Brown) | | L | LINE (Brown) |
| | | GROUND (Yellow & Green) | | N | NEUTRAL (Blue) |
| | N | NEUTRAL (Blue) | | - | - |

(PSD) CONNECTION

| Class-I | | | Class-II | | |
|---------|------|----------------------------|----------|----|-------------------|
| | L | LINE (Brown) | | L | LINE (Brown) |
| | | GROUND (Yellow & Green) | | N | NEUTRAL (Blue) |
| | N | NEUTRAL (Blue) | | DA | DALI |
| | DA/L | DALI | | DA | DALI |
| | DA/N | DALI | | - | - |

(PSD) CONNECTION (with Surge Protection)

(PSU) (PSA) (PSDD) CONNECTION (with Surge Protection)

| Class-II | | | | | |
|----------|----|------------------------------------|--|---|------------------------------------|
| | L | LINE (Brown) | | L | LINE (Brown) |
| | X | (Optional for installer) GROUND | | X | (Optional for installer) GROUND |
| | N | NEUTRAL (Blue) | | N | NEUTRAL (Blue) |
| | DA | DALI | | - | - |
| | DA | DALI | | - | - |

(PSR) CONNECTION

| Class-I | | | Class-II | | |
|---------|----|----------------------------|----------|----|------------------------------------|
| | L | LINE (Brown) | | L | LINE (Brown) |
| | | GROUND (Yellow & Green) | | X | (Optional for installer) GROUND |
| | N | NEUTRAL (Blue) | | N | NEUTRAL (Blue) |
| | Lc | LineSwitch | | Lc | LineSwitch |

(PHOTOCELL) CONNECTION

| Class-I | | | Class-II | | |
|---------|---|----------------------------|----------|---|------------------------------------|
| | L | LINE (Brown) | | L | LINE (Brown) |
| | | GROUND (Yellow & Green) | | X | (Optional for installer) GROUND |
| | N | NEUTRAL (Blue) | | N | NEUTRAL (Blue) |



GB Storage, installation, use, operation, and maintenance of the products needs to be performed exactly according to the instructions in the mounting instruction with the product and/or other instructions as may be provided by us to guarantee safe use of the product over its entire lifetime. Failure to adhere to these instructions will invalidate your entitlement to warranty. Bolts with indication of torque strength on the drawing need to be tightened using a calibrated torque wrench. Pre-assembled bolts need to be retightened again to the required torque specification to assure maximum strength over lifetime. For Zhaga-D4i certified luminaires only Zhaga-D4i certified control devices are to be used. The functional compatibility of two Zhaga-D4i control devices to be used in combination, as well as the override possibility of any line-switch function used in a Zhaga-D4i luminaire, is to be released by the master control device supplier. Not following this advice can/will cause risk of damage and non-compliance for which Signify cannot take any responsibility. If necessary to exchange electrical components, they should be exchanged to exactly same type and model (or as alternatively advised by Signify). Signify cannot assure, that changing into components of other manufacturers, product will remain compliant with norms and regulations. Position of wiring should not be changed. If an external flexible cable or cord is supplied with this luminaire and is damaged, it shall be replaced by a special cable or cord exclusively available from the manufacturer or his service agent. The light source contained in this luminaire shall only be replaced by the manufacturer or his service agent or a similar qualified person. In case of PVC insulated cable, the installer must assure that the whole cable is protected against weather conditions, especially UV and rain, by containing the cable inside of luminaire and/or pole. Wall mounted or adjustable luminaires using an external flexible cable longer than 30cm are to be installed outside arm's reach. In case of risk group 2 products the luminaire should be positioned so that prolonged staring into the luminaire at a distance as indicated in the mounting instruction is not expected. Luminaire has basic insulation between Low Voltage supply and control conductors. If terminal block is not included, installation must be performed by a qualified person. This product contains a light source of energy efficiency class: see table or label.

DE Lagerung, Installation, Verwendung, Betrieb UN Wartung der Produkte müssen genau nachden Anweisungen in dieser Montageanleitung und/oder anderen von uns zur Verfügung gestellten Anweisungen erfolgen, um eine sichere Verwendung des Produkts über seine gesamte Lebensdauer zu gewährleisten. Bei Nichtbeachtung dieser Hinweise erlischt Ihr Anspruch auf Gewährleistung. Schrauben mit Angabe der Drehmomente auf der Zeichnung müssen mit einem kalibrierten Drehmomentschlüssel angezogen werden. Vormontierte Schrauben müssen mit dem angegebenen Drehmoment nachgezogen werden. Für Zhaga-D4i-zertifizierte Leuchten dürfen nur Zhaga-D4i-zertifizierte Steuergeräte verwendet werden. Die funktionale Kompatibilität von zwei Zhaga-D4i-Steuergeräten, die in Kombination verwendet werden sollen, sowie die Möglichkeit der Überbrückung von Netzschalterfunktionen, die in einer Zhaga-D4i-Leuchte verwendet werden, muss vom Lieferanten des Hauptsteuergeräts freigegeben werden. Die Nichtbeachtung dieses Hinweises kann/ wird das Risiko von Schäden und Nichteinhaltung von Bestimmungen verursachen, für die Signify keine Verantwortung übernehmen kann. Wenn es notwendig ist, elektrische Komponenten auszutauschen, sollten diese genau den gleichen Typ und das gleiche Modell ausgetauscht werden (oder mit von Signify empfohlenen Alternativen). Signify kann nicht sicherstellenn, dass das Produkt beim Austausch gegen Komponenten anderer Hersteller den Normen und Vorschriften entspricht. Die Position der Verkabelung sollte nicht verändert werden. Wenn ein externes flexibles Kabel oder eine externe flexible Leitung mit dieser Leuchte geliefert wird und beschädigt ist, muss es/sie durch ein spezielles Kabel oder eine spezielle Leitung ersetzt werden, welche ausschließlich beim Hersteller oder seinem Kundendienst erhältlich ist. Die in dieser Leuchte enthaltene Lichtquelle darf nur vom Hersteller oder seinem Servicevertreter oder einer ähnlich qualifizierten Person ausgetauscht werden. Bei PVC-isolierten Kabeln muss der Installateur sicherstellen, dass das gesamte Kabel vor Witterungseinflüssen, insbesondere UV-Strahlung und Regen, geschützt ist, indem er das Kabel in der Leuchte und/oder im Mast verlegt. An der Wand montierte oder verstellbare Leuchten, die ein externes flexibles Kabel von mehr als 30 cm Länge verwenden, müssen außerhalb der Reichweite des Armes angebracht werden. Bei Produkten der Risikogruppe 2 sollte die Leuchte so positioniert werden, dass ein längeres Hineinschauen in die Leuchte in einem in der Montageanleitung angegebenen Abstand nicht zu erwarten ist. Die Leuchte verfügt über eine Basisisolierung zwischen Niederspannungsversorgung und Steuerleitern. Wenn kein Klemmenblock enthalten ist, muss die Installation von einer qualifizierten Person durchgeführt werden. Dieses Produkt enthält ein Leuchtmittel der Energieeffizienzklasse: siehe Tabelle oder Etikett.

FR Le stockage, l'installation, l'utilisation, le fonctionnement et la maintenance des produits doivent être effectués conformément aux instructions contenues dans la notice de montage accompagnant le produit et/ou à d'autres instructions que nous pouvons fournir pour garantir une utilisation sûre du produit pendant toute sa durée de vie. Le non-respect de ces instructions annulera le droit de garantie. Les vis, dont les couples de serrage sont indiqués sur les schémas, doivent être serrées à l'aide d'une clé dynamométrique étalonnée. Les vis préassemblées doivent être resserrées à nouveau selon la spécification de couple de serrage requis afin d'assurer leur résistance maximale pendant toute leur durée de vie. Pour les luminaires certifiés Zhaga-D4i, seuls les composants/capteurs certifiés Zhaga-D4i doivent être utilisés. La compatibilité fonctionnelle de deux contrôleurs/capteurs Zhaga-D4i à utiliser ensemble, ainsi que la possibilité de forçage de toute fonction de coupure de ligne utilisée dans un luminaire Zhaga-D4i, doivent être rendues possibles par le fournisseur original de contrôleurs/capteurs. Ne pas suivre ces conseils peut/va entraîner des risques de dommages et de non-conformité pour lesquels Signify ne pourra être tenu pour responsable. Si il est nécessaire d'échanger des composants électriques, ils doivent être remplacés par exactement le même type et modèle (ou comme alternative conseillée par Signify). Signify ne peut pas garantir que le produit, s'il est remplacé par des composants d'autres fabricants, restera conforme aux normes et réglementations. La position du câblage ne doit pas être modifiée. Si un câble flexible externe ou un cordon fourni avec ce luminaire est endommagé, il doit être remplacé par un câble spécial ou un cordon exclusivement disponible auprès du fabricant ou de son agent. La source lumineuse contenue dans ce luminaire ne doit être remplacée que par le fabricant ou son agent de service ou une personne qualifiée similaire. Dans le cas d'un câble isolé en PVC, l'installateur doit s'assurer que l'ensemble du câblage est protégé contre les conditions météorologiques, notamment les UV et la pluie, en confinant le câble à l'intérieur du luminaire et/ou du mât. Les luminaires en fixation murale ou orientables utilisant un câble flexible externe de plus de 30 cm doivent être installés hors de portée de main. Dans le cas de produits de groupe risque 2, le luminaire doit être positionné de manière à ce qu'il ne soit pas prévu de regarder longtemps dans le luminaire à une distance telle qu'indiquée dans la notice de montage. Le luminaire est doté d'une isolation de base entre l'alimentation basse tension et les conducteurs de commande. Si le bornier de connexion n'est pas inclus, l'installation doit être effectuée par une personne qualifiée. Ce produit contient une source lumineuse de classe d'efficacité énergétique: voir tableau ou étiquette.

- IT** Lo stoccaggio, l'installazione, l'uso, il funzionamento e la manutenzione dei prodotti devono essere eseguiti seguendo esattamente le istruzioni contenute nelle istruzioni di installazione del prodotto e/o in altra documentazione fornita da noi per garantire la sicurezza del prodotto per l'intera durata del suo utilizzo. La mancata osservanza di queste istruzioni annullerà la garanzia. I bulloni, con indicazione della coppia di serraggio sui disegni delle istruzioni di installazione, devono essere serrati utilizzando una chiave dinamometrica calibrata. I bulloni pre-assemblati devono essere riserrati nuovamente secondo le specifiche di coppia richieste per assicurare la massima resistenza per tutta la durata di utilizzo. Negli apparecchi in versione certificata Zhaga-D4i devono essere utilizzati solo dispositivi di controllo certificati Zhaga-D4i. La compatibilità funzionale di due dispositivi di controllo Zhaga-D4i da utilizzare in combinazione, come anche la possibilità di utilizzare la funzione LineSwitch di un apparecchio di illuminazione Zhaga-D4i, deve essere rilasciata dal fornitore del dispositivo di controllo Master. La mancata osservanza di queste indicazioni può causare danni e non conformità per i quali Signify non può assumersi alcuna responsabilità. Qualora sia necessario sostituire i componenti elettrici, questi devono essere sostituiti con componenti esattamente dello stesso tipo e modello (o, in alternativa, con altri indicati da Signify). Signify non può garantire che, utilizzando componenti di altri produttori, il prodotto rimarrà conforme alle norme e ai regolamenti vigenti. La posizione dei cablaggi non deve essere modificata. Qualora l'apparecchio sia fornito con un cavo esterno flessibile e questo presenti segni di danneggiamento, dovrà essere sostituito esclusivamente con un cavo fornito dal produttore dell'apparecchio o dal suo servizio di assistenza. La sorgente luminosa contenuta in questo apparecchio deve essere sostituita solo dal produttore, dal suo agente di assistenza o da una persona qualificata. In presenza di un cavo in PVC isolato, l'installatore deve garantire che l'intero cavo sia protetto dagli agenti atmosferici, in particolare dai raggi UV e dalla pioggia, posizionando il cavo all'interno dell'apparecchio e/o del palo. Gli apparecchi a parete o orientabili forniti con cavo flessibile esterno di lunghezza superiore a 30 cm devono essere installati fuori dalla portata del braccio. In caso di prodotti con gruppo di rischio 2, l'apparecchio deve essere posizionato in modo tale che non sia prevista l'osservazione prolungata dell'apparecchio alla distanza indicata nelle istruzioni di montaggio. L'apparecchio è dotato di isolamento di base tra l'alimentazione a bassa tensione e i conduttori di controllo. Qualora la morsettiera non sia inclusa, l'installazione deve essere eseguita solo da personale qualificato. Questo prodotto contiene una sorgente luminosa di classe di efficienza energetica: vedere tabella o etichetta.
- ES** El almacenamiento, la instalación, el uso, la operación y el mantenimiento de los productos deben realizarse exactamente de acuerdo con las instrucciones de montaje del producto y/u otras instrucciones que podamos proporcionarle para garantizar el uso seguro del producto en su totalidad. El incumplimiento de estas instrucciones invalidará su derecho a la garantía. Los pernos que indican la fuerza de torsión en el dibujo deben apretarse usando una llave dinamo-métrica calibrada. Los pernos preensamblados deben volver a apretarse según la especificación de torsión requerida para garantizar la máxima resistencia durante toda su vida útil. Para luminarias certificadas Zhaga-D4i solo se deben utilizar dispositivos de control certificados Zhaga-D4i. La compatibilidad funcional de dos dispositivos de control Zhaga-D4i que se utilizarán en combinación, así como la posibilidad de anular cualquier función de interruptor de línea utilizada en una luminaria Zhaga-D4i, debe ser autorizada por el proveedor del dispositivo de control maestro. No seguir este consejo puede causar/causará un riesgo de daño e incumplimiento del cual Signify no puede asumir ninguna responsabilidad. Si es necesario cambiar componentes eléctricos, se deben cambiar por exactamente el mismo tipo y modelo (o como alternativamente lo recomiende Signify). Signify no puede garantizar que al cambiar a componentes de otros fabricantes, el producto seguirá cumpliendo con las normas y regulaciones. No se debe cambiar la posición del cableado. Si se suministra un cable externo con esta luminaria y está dañado, deberá ser reemplazado por un cable disponible exclusivamente del fabricante o su agente de servicio. La fuente de luz contenida en esta luminaria sólo deberá ser reemplazada por el fabricante o su agente de servicio o una persona calificada similar. En el caso de cable aislado con PVC, el instalador debe asegurarse de que todo el cable esté protegido contra las condiciones climáticas, especialmente los rayos UV y la lluvia, al contener el cable dentro de la luminaria y/o poste. Las luminarias de pared o orientables mediante cable flexible externo de longitud superior a 30 cm deben instalarse fuera del alcance del brazo. En el caso de productos del grupo de riesgo 2, la luminaria debe colocarse de manera que no se pueda mirar fijamente a la luminaria a una distancia como se indica en las instrucciones de montaje. La luminaria cuenta con aislamiento básico entre los conductores de suministro y control de Baja Tensión. Si la clema de conexiones no está incluida, la instalación debe ser realizada por una persona calificada. Este producto contiene una fuente de luz de clase de eficiencia energética: ver tabla o etiqueta.
- FR** O armazenamento, instalação, uso, operação e manutenção dos produtos devem ser realizados exatamente de acordo com as instruções nas instruções de montagem do produto e/ou outras instruções que possam ser fornecidas por nós para garantir o uso seguro do produto em toda a sua extensão. O não cumprimento destas instruções invalidará o seu direito à garantia. Os parafusos com indicação da força de torque no desenho devem ser apertados com um torquímetro calibrado. Os parafusos pré-montados precisam ser reapertados novamente com a especificação de torque necessária para garantir resistência máxima ao longo da vida útil. Para luminárias certificadas Zhaga-D4i, apenas dispositivos de controle certificados Zhaga-D4i devem ser usados. A compatibilidade funcional de dois dispositivos de controle Zhaga-D4i a serem usados em combinação, bem como a possibilidade de anulação de qualquer função de comutação de linha usada em uma luminária Zhaga-D4i, deve ser liberada pelo fornecedor do dispositivo de controle mestre. O não cumprimento deste conselho pode causar risco de danos e não conformidade pelos quais a Signify não pode assumir qualquer responsabilidade. Se for necessário trocar componentes elétricos, eles deverão ser trocados exatamente pelo mesmo tipo e modelo (ou conforme recomendado pela Signify). A Signify não pode garantir que, ao mudar para componentes de outros fabricantes, o produto permanecerá em conformidade com as normas e regulamentos. A posição da fiação não deve ser alterada. Se um cabo ou cordão flexível externo for fornecido com esta luminária e estiver danificado, ele deverá ser substituído por um cabo ou cordão especial disponível exclusivamente no fabricante ou em seu agente de serviço. A fonte de luz contida nesta luminária só deverá ser substituída pelo fabricante ou pelo seu agente de assistência ou pessoa qualificada semelhante. No caso de cabo isolado em PVC, o instalador deve garantir que todo o cabo esteja protegido contra intempéries, principalmente UV e chuva, contendo o cabo dentro da luminária e/ou poste. As luminárias montadas na parede ou ajustáveis usando um cabo flexível externo com comprimento superior a 30 cm devem ser instaladas fora do alcance do braço. No caso de produtos do grupo de risco 2, a luminária deve ser posicionada de modo que não seja esperado olhar prolongado para a luminária à distância indicada nas instruções de montagem. A luminária possui isolamento básico entre os condutores de alimentação e de controle de baixa tensão. Se o bloco terminal não estiver incluído, a instalação deverá ser realizada por uma pessoa qualificada. Este produto contém uma fonte de luz de classe de eficiência energética: ver tabela ou etiqueta.
- GR** Η αποθήκευση, η εγκατάσταση, η χρήση, η λειτουργία και η συντήρηση των προϊόντων πρέπει να εκτελούνται ακριβώς σύμφωνα με τις οδηγίες στο φυλλάδιο οδηγιών τοποθέτησης του προϊόντος ή/και άλλες οδηγίες που ενδέχεται να παρέχονται από εμάς για να εγγυηθούμε την ασφαλή χρήση του προϊόντος σε ολόκληρη τη Διάρκεια Ζωής. Η μη τήρηση αυτών των οδηγιών θα ακυρώσει το δικαίωμά σας για εγγύηση. Τα μπουλόνια με ένδειξη ισχύος ροπής στο σχέδιο πρέπει να σφίγγονται χρησιμοποιώντας ένα βαθμονομημένο δυναμόκλειδο. Τα προσυναρμολογημένα μπουλόνια πρέπει να ξανασφίξουν με την απαιτούμενη προδιαγραφή ροπής για να εξασφαλιστεί η μέγιστη αντοχή στη διάρκεια ζωής. Για φωτιστικά με πιστοποίηση Zhaga-D4i πρέπει να χρησιμοποιούνται μόνο συσκευές ελέγχου με πιστοποίηση Zhaga-D4i. Η λειτουργική συμβατότητα δύο συσκευών ελέγχου Zhaga-D4i που θα χρησιμοποιηθούν σε συνδυασμό, καθώς και η δυνατότητα παράκαμψης οποιασδήποτε λειτουργίας διακόπτη γραμμής που χρησιμοποιείται σε ένα φωτιστικό Zhaga-D4i, πρέπει να δοθεί από τον προμηθευτή της κύριας συσκευής ελέγχου. Η μη τήρηση αυτής της συμβουλής μπορεί/θα προκαλέσει κίνδυνο ζημιάς και μη συμμόρφωσης για τις οποίες η Signify δεν μπορεί να αναλάβει καμία ευθύνη. Εάν είναι απαραίτητο να αντικατασταθούν ηλεκτρικά εξαρτήματα, θα πρέπει να αντικατασταθούν με τον ίδιο ακριβώς τύπο και μοντέλο (ή όπως εναλλακτικά προτείνει η Signify). Η Signify δεν μπορεί να διαβεβαιώσει ότι μετατρέποντας σε εξαρτήματα άλλων κατασκευαστών, το προϊόν θα παραμείνει συμβατό με τους κανόνες και τους κανονισμούς. Η θέση της καλωδίωσης δεν πρέπει να αλλάξει. Εάν ένα εξωτερικό εύκαμπτο καλώδιο ή καλώδιο που παρέχεται με αυτό το φωτιστικό είναι κατεστραμμένο, θα πρέπει να αντικατασταθεί από ένα ειδικό καλώδιο ή καλώδιο που διατίθεται αποκλειστικά από τον κατασκευαστή ή τον αντιπρόσωπο σέρβις του. Η πηγή φωτός που περιέχεται σε αυτό το φωτιστικό πρέπει να αντικαθίσταται μόνο από τον κατασκευαστή ή τον αντιπρόσωπο σέρβις του ή από παρόμοιο εξειδικευμένο άτομο. Στην περίπτωση καλωδίου με μόνωση PVC, ο εγκαταστάτης πρέπει να διασφαλίσει ότι ολόκληρο το καλώδιο προστατεύεται από τις καιρικές συνθήκες, ιδιαίτερα από την υπερβόλια ακτινοβολία και τη βροχή, περιέχοντας το καλώδιο στο εσωτερικό του φωτιστικού και/ή του πόλου. Τα επιτοίχια ή ρυθμιζόμενα φωτιστικά που χρησιμοποιούν εξωτερικό εύκαμπτο καλώδιο μήκους μεγαλύτερου των 30εκ πρέπει να τοποθετούνται έξω από την έκταση του βραχίονα. Σε περίπτωση προϊόντων της ομάδας κινδύνου 2, το φωτιστικό θα πρέπει να τοποθετηθεί έτσι ώστε να μην αναμένεται παρατεταμένο βλέμμα μέσα στο φωτιστικό σε απόσταση, όπως υποδεικνύεται στις οδηγίες τοποθέτησης. Το φωτιστικό έχει βασική μόνωση μεταξύ αγωγών τροφοδοσίας χαμηλής τάσης και ελέγχου. Εάν το μπλοκ ακροδεκτών δεν περιλαμβάνεται, η εγκατάσταση πρέπει να γίνει από εξειδικευμένο άτομο. Αυτό το προϊόν περιέχει πηγή φωτός κατηγορίας ενεργειακής απόδοσης: δείτε τον πίνακα ή την ετικέτα.

NL Om een veilig gebruik van dit product gedurende de hele levensduur te garanderen, dient het opslaan, installeren, gebruiken, bedienen en onderhouden ervan exact te worden uitgevoerd in overeenstemming met de instructies in de handleiding bij dit product en/of andere door ons geleverde instructies. Niet opvolgen van deze instructies maakt uw garantie-aanspraken ongeldig. Bouten waarvan in de tekening het aanhaalkoppel is vermeld, dienen te worden vastgezet met behulp van een mommenteutel. Voorgeassembleerde bouten dienen opnieuw te worden aangehaald tot het vereiste koppel om maximale sterkte gedurende de hele levensduur te waarborgen. Voor Zhaga-D4i gecertificeerde armaturen mogen alleen Zhaga-D4i gecertificeerde control componenten worden gebruikt. Functionele compatibiliteit van twee Zhaga-D4i control componenten die in combinatie worden gebruikt, evenals een overbruggingsmogelijkheid van een eventuele LineSwitch functie die wordt gebruikt in een Zhaga-D4i armatuur, dient te worden vrijgegeven door de leverancier van het hoofd control component. Het niet opvolgen van deze adviezen geeft risico op schade waarvoor Signify geen enkele verantwoordelijkheid kan nemen. Indien elektrische componenten vervangen moeten worden, dient exact hetzelfde type/model gebruikt te worden (of zoals anderszins geadviseerd door Signify). Signify kan niet garanderen dat bij gebruik van componenten van andere fabrikanten het product blijft coldoen aan normen en regelgeving. De positie van de bedrading mag niet gewijzigd worden. Als een flexibele externe kabel of snoer met het armatuur wordt geleverd en beschadigd raakt, dient deze te worden vervangen door een speciale kabel of snoer van de fabrikant of zijn service agent. De lichtbron in deze armatuur mag alleen worden vervangen door de fabrikant of zijn serviceagent of een vergelijkbaar gekwalificeerd persoon. Bij een PVC geïsoleerde kabel dient de installateur te waarborgen dat de hele kabel beschermd is tegen weersomstandigheden en vooral tegen UV en regen, door de kabel binnen het armatuur en/of de mast te houden. Armaturen voor wandmontage of verstelbare armaturen met een externe flexibele kabel langer dan 30cm dienen buiten handbereik te worden geïnstalleerd. Risico groep 2 armaturen dienen zodanig te worden gepositioneerd dat langdurige inkijk in het armatuur vanaf een afstand zoals aangegeven in de handleiding niet te verwachten is. Het armatuur heeft een basisisolatie tussen de laagspanningsvoeding en de stuurgeleiders. Indien geen aansluitconnector aanwezig is, dient de aansluiting uitgevoerd te worden door een gekwalificeerd persoon. Dit product bevat een lichtbron met energie-efficiëntieklasse: zie tabel of etiket

SE Förvaring, installation, användning, drift och underhåll av produkterna måste utföras exakt enligt anvisningarna i monteringsanvisningen som medföljer produkten och/eller andra instruktioner som kan tillhandahållas av oss för att garantera säker användning av produkten under hela dess livslängd. Om instruktioner inte följs frångår man produktgarantin. Skruvar där vridmoment anges på ritningen måste dras åt med en kalibrerad skiftnyckel. Förmonterade skruvar måste dras åt igen med angivet vridmoment för att säkerställa högsta styrka under livslängden. För Zhaga-D4i-certifierade armaturer får endast Zhaga-D4i-certifierade styrenheter användas. Kompatibilitet mellan två Zhaga-D4i-styrenheter som ska användas tillsammans och möjlighet att åsidosätta alla LineSwitch-funktioner som används i en Zhaga-D4i-armatur kommer att släppas på marknaden av masterkomponentens/sensors leverantör. Att inte följa dessa anvisningar medför risk för skada och riskande överrensställelse som Signify inte tar något ansvar för. Om det är nödvändigt att byta ut elektriska komponenter, ska de bytas ut till samma typ och modell (eller enligt Signifys anvisningar). Signify kan inte garantera att produkten kommer att uppfylla gällande normer och föreskrifter om den byts ut mot komponenter från andra tillverkare. Ledningarnas placering får inte ändras. Om skada uppstår på en extern flexibel kabel eller sladd om detta levererats med armaturen, ska den ersättas med en speciell kabel eller sladd som endast är tillgängligt hos tillverkaren eller dennes serviceombud. Ljuskällan i denna armatur får endast bytas ut av tillverkaren eller dennes serviceombud eller en liknande kvalificerad person. För PVC-isolerad kabel måste installatören placera kabeln inuti armaturen och/eller stolpen för att se till att hela kabeln skyddas mot väderförhållanden, särskilt UV-strålning och regn. Vägmonterade eller justerbara armaturer som använder en extern flexibel kabel som är längre än 30 cm ska installeras utom räckhåll. När det gäller produkter i riskgrupp 2 ska armaturen placeras så att ingen förväntas under en längre tid stirra in i armaturen på det avstånd som anges i monteringsanvisningen. Armaturen har grundläggande isolering mellan lågspänningsmatning och styrelidare. Om kopplingsplint inte medföljer måste installationen utföras av behörig person. Denna produkt innehåller en ljuskälla av energieffektivitetsklass: se tabell eller etikett.

FI Tuotteiden asennuksessa, käytössä ja huollossa on noudatettava tarkoin tuotteen asennusohjeessa tai muissa toimittamissamme ohjemateriaaleissa annettuja ohjeita. Tämä varmistaa tuotteen turvallisen toiminnan koko sen käyttöajan ajan. Näiden ohjeiden noudattamatta jättäminen mitätöi kaikki oikeutesi takuukorvauksiin. Pultit, joille on asennusohjeessa ilmoitettu kiristystiukkuus, on kiristettävä kalibroidulla momenttiavaimella. Esiasennetut pultit on kiristettävä ilmoitettuun kiristystiukkuuteen koko käyttöajan mittaisen kestävyyden varmistamiseksi. Zhaga-D4i-sertifioituissa valaisimissa tulee käyttää vain Zhaga-D4i-/SR-sertifioituja ohjainlaitteita. Kahden käytettävän Zhaga-D4i-/SR-sertifioituiden ohjainlaitteen toimintojen yhteensopivuudesta sekä Zhaga-D4i-/SR-valaisimen kanssa käytettävän minkä tahansa linjakytkintöiminnon ohitusmahdollisuudesta vastaa ohjainlaitteen päättävärantotoimittaja. Mikäli tätä ohjetta ei noudateta, valaisin saattaa vaurioitua ja sen vaatimustenmukaisuus heiketä. Signify ei ole tästä millään tavalla vastuussa. Mikäli sähkökomponentteja on tarpeen vaihtaa, ne tulisi vaihtaa täysin samantyyppisiin ja -mallisiin (tai muihin Signifyn ohjeistamiin) komponentteihin. Signify ei voi taata, että tuote vastaa edelleen vaatimuksia ja säädöksiä, jos käytetään muiden valmistajien komponentteja. Johdotuksen paikkaa ei tule muuttaa. Jos valaisimen mukana toimitetaan ulkoinen, taipuisa kaapeli tai johto ja se vaurioituu, se tulee vaihtaa valmistajalta tai hänen valtuuttamaltaan huoltoyhtiöltä saatavaan kaapeliin/johtoon. Vain valmistaja tai tämän huoltoedustaja tai vastaava pätevä henkilö saa vaihtaa tämän valaisimen sisältämän valonlähteen. Mikäli kyseessä on PVC-eristetty kaapeli, asentajan tulee sijoittaa koko kaapeli valaisimen ja/tai pylvään sisään. Näin varmistetaan, että kaapeli on suojattu sääolosuhteita, erityisesti auringon säteilyä ja sadetta, vastaan. Seinään asennettavat tai säädettävät valaisimet, joissa on ulkoinen, taipuisa ja yli 30 cm pitkä kaapeli, tulee asentaa kosketusetäisyyden ulkopuolelle. Mikäli kyseessä on riskiryhmän 2 tuote, valaisin tulee asettaa niin, että valaisimen valonlähde ei osoita suoraan silmään pitkäkestoisesti asennusohjeessa mainitulta etäisyydeltä. Valaisimessa on peruseristys pienjännitesyötön ja ohjausjohtimien välillä. Mikäli mukana ei toimiteta riviiliitintä, vain ammattiasentaja saa suorittaa asennuksen. Tämä tuote sisältää energiatehokkuusluokan valonlähteen: katso taulukko tai etiketti

DK Opbevaring, installation, brug, betjening og vedligeholdelse af produkterne må kun udføres ifølge instruktionerne i monteringsvejledningen som kommer med produkt og/eller andre instruktioner givet af os for at garantere sikker brug af produktet i hele dets levetid. Hvis disse instruktioner ikke følges, bortfalder produktgarantien. Bolte/skruer med angivet spændingsmoment på tegningen skal spændes med en kalibreret momentnøgle. Færdigsamlede bolte/skruer skal efterspændes i henhold til det specificerede moment for at sikre maksimal fastgørelse i hele produktets levetid. For Zhaga-D4i certificerede armaturer må kun Zhaga-D4i certificerede styringsenheder anvendes. Kompatibiliteten mellem to Zhaga-D4i styringsenheder som skal anvendes i kombination og også skal kunne overstyre alle Line-Switch funktioner anvendt i et Zhaga-D4i certificeret armatur skal frigives af leverandøren af masterkomponenten/sensoren. Ved ikke at følge denne anbefaling kan/vil der være risiko for at gøre skade og at medføre ikke-kompatibilitet for hvilket Signify ikke kan gøres ansvarlig. Bliver det nødvendigt at udskifte komponenter, skal disse komponenter udskiftes til nøjagtigt samme type og model (eller alternativt efter Signifys anvisninger) Signify kan ikke garantere at udskiftning til komponenter fra andre leverandører, at armatur og komponenter vil forblive i overensstemmelse med gældende normer, regulativer og standarder. Positionen af ledningsføringen må ikke blive ændret. Hvis et fleksibelt kabel eller ledning som er leveret med dette armatur og er beskadiget, skal det udskiftes til et specielt kabel eller ledning som er eksklusivt tilgængeligt fra leverandøren eller dennes service-agent. Lyskilden i dette armatur må kun udskiftes af producenten eller dennes serviceagent eller en tilsvarende kvalificeret person. For PVC-isoleret kabel, installatøren skal sikre at hele kablet er beskyttet mod vejr-forhold specielt UV-stråling og regn/vand, ved at kablet er indvendigt i armaturet/masten. Vægmonterede eller justerbare armaturer som anvendes med et fleksibelt kabel længere end 30cm skal installeres udenfor rækkevidde. Fotobiologisk risikogruppe 2 - armaturer skal monteres så skade ved at stirre ind i armaturet ved en afstand angivet i monteringsanvisningen ikke vil opstå. Armaturet har grundlæggende isolering mellem lavspændingsforsyning og styrelidere. Hvis tilslutningsklemmer ikke er inkluderet, skal installationen udføres af en kvalificeret person. Dette produkt indeholder en lyskilde af energieffektivitetsklasse: se tabel eller etiket

- CZ** Skladování, instalace, používání, provoz a údržba produktů musí být prováděny přesně podle pokynů v montážním návodu k produktu a/nebo jiných pokynů, které mohou být vydány naší společností, abychom zaručili bezpečné používání produktu po celou dobu jeho životnosti. Nedodržení těchto pokynů zaniká nárok na záruku. Šrouby s vyznačením utahovacího momentu na výkresu je třeba utáhnout pomocí kalibrovaného momentového klíče. Předinstalované šrouby je třeba znovu utáhnout na požadovaný utahovací moment, aby byla zajištěna maximální pevnost po celou dobu životnosti. Pro svítidla s certifikací Zhaga-D4i se mohou použít pouze certifikovaná Zhaga-D4i ovládací zařízení. Funkční kompatibilitu dvou zařízení Zhaga-D4i, která mají být použita v kombinaci, stejně jako možnost přepsání jakékoli funkce, zveřejní dodavatel hlavního ovládacího zařízení (MASTER). Nedodržení tohoto doporučení může způsobit riziko poškození zařízení, za které společnost Signify nemůže převzít žádnou odpovědnost. Pokud je nutné vyměnit elektrické součásti, měly by být vyměněny za přesně stejný typ a model (nebo podle doporučení společnosti Signify). Signify nemůže zaručit, že při změně na komponenty jiných výrobců zůstane výrobek v souladu s normami a předpisy. Pozice kabeláže by se neměla změnit. Pokud je s tímto svítidlem dodán externí flexibilní napájecí kabel, který je poškozen, musí být nahrazen speciálním kabelem, který je k dispozici výhradně u výrobce nebo jeho servisního zástupce. Světelný zdroj obsažený v tomto svítidle smí vyměnit pouze výrobce nebo jeho servisní zástupce nebo podobně kvalifikovaná osoba. V případě kabelu s PVC izolací musí instalační technik zajistit, aby byl celý kabel chráněn před povětrnostními vlivy, zejména UV zářením a deštěm, tím, že kabel uloží uvnitř svítidla a/nebo sloupu. Nástěnná nebo nastavitelná svítidla napájená pomocí externího flexibilního kabelu, delšího než 30 cm, se instalují mimo dosah neoprávněné osoby. V případě výrobků rizikové skupiny 2, by svítidlo mělo být umístěno tak, aby se neočekávalo dlouhodobé dívání do svítidla ze vzdálenosti uvedené v montážním návodu. Svítidlo má základní izolaci mezi nízkonapětovým napájecím a ovládacím vodičem. Pokud svorkovnice není součástí dodávky, musí instalaci provést kvalifikovaná osoba. Tento výrobek obsahuje světelný zdroj třídy energetické účinnosti: viz tabulka nebo štítek.
- PL** Przechowywanie, instalacja, użytkowanie, obsługa i konserwacja produktów muszą być wykonywane dokładnie według instrukcji zawartych w instrukcji montażu dołączonej do produktu i/lub innych instrukcji dostarczonych przez nas, aby zagwarantować bezpieczne użytkowanie produktu przez cały okres jego użytkowania. Niezastosowanie się do tych instrukcji spowoduje utratę prawa do gwarancji. Wkręty oznaczone momentem obrotowym na rysunku należy dokręcać kalibrowanym kluczem dynamometrycznym. Wstępnie zmontowane wkręty należy ponownie dokręcić wymagany momentem obrotowym, aby zapewnić maksymalną wytrzymałość przez cały okres użytkowania. W przypadku oprav z certyfikatem Zhaga-D4i należy stosować wyłącznie urządzenia sterujące z certyfikatem Zhaga-D4i. Zgodność funkcjonalna dwóch urządzeń sterujących Zhaga-D4i, stosowanych łącznie lub w zastępstwie dowolnej funkcji przełącznika linii stosowanej w oprawie Zhaga-D4i musi być zapewniona przez dostawcę urządzenia nadrzędnego. Nieprzestrzeganie tych zaleceń jest równoznaczne z ryzykiem uszkodzenia i naruszeniem zasad użytkowania, za które Signify nie może ponosić żadnej odpowiedzialności. Jeśli konieczna jest wymiana komponentów elektrycznych, należy je wymienić na dokładnie ten sam typ i model (lub alternatywnie zalecony przez Signify). Signify nie może zapewnić, że po zastąpieniu komponentów innych producentów produkt pozostanie zgodny z normami i przepisami. Nie należy zmieniać położenia okablowania. Jeżeli do oprawy dołączony jest zewnętrzny elastyczny kabel lub przewód, który ulegnie uszkodzeniu, należy go wymienić na specjalny kabel lub przewód dostępny wyłącznie u producenta lub jego przedstawiciela serwisowego. Źródło światła zawarte w tej oprawie może wymieniać wyłącznie producent, jego przedstawiciel serwisowy lub osoba o podobnych kwalifikacjach. W przypadku kabla w izolacji PVC instalator musi zapewnić, że cały kabel będzie chroniony przed warunkami atmosferycznymi, zwłaszcza promieniowaniem UV i deszczem, poprzez umieszczenie kabla wewnątrz oprawy i/lub słupa. Oprawy ściennie lub nastawne podłączone za pomocą zewnętrznego elastycznego przewodu dłuższego niż 30 cm należy instalować poza zasięgiem ręki. W przypadku produktów z grupy ryzyka 2 oprawę należy ustawić w taki sposób, aby nie było możliwości długotrwałego wpatrywania się w oprawę z odległości wskazanej w instrukcji montażu. Oprawa posiada podstawową izolację pomiędzy przewodami zasilającymi niskiego napięcia i sterującymi. Jeżeli listwa zaciskowa nie jest dołączona do zestawu, instalację musi wykonać wykwalifikowana osoba. Ten produkt zawiera źródło światła o klasie efektywności energetycznej: patrz tabela lub etykieta.
- RO** Depozitarea, instalarea, utilizarea, operarea și întreținerea produselor trebuie efectuate exact în conformitate cu instrucțiunile din instrucțiunile de montare împreună cu produsul și/sau alte instrucțiuni care pot fi furnizate de noi pentru a garanta utilizarea în siguranță a produsului pe toată durata sa de viață. Nerespectarea acestor instrucțiuni va anula dreptul dumneavoastră la garanție. Șuruburile cu indicarea rezistenței cuplului pe desen trebuie strânse folosind o cheie dinamometrică calibrată. Șuruburile pre-asamblate trebuie strânse din nou la specificația de cuplu necesară pentru a asigura rezistența maximă pe toată durata de viață. Pentru corpurile de iluminat certificate Zhaga-D4i trebuie utilizate numai dispozitive de control certificate Zhaga-D4i. Compatibilitatea funcțională a două dispozitive de control Zhaga-D4i care urmează să fie utilizate în combinație, precum și posibilitatea de anulare a oricărei funcții de comutare de linie utilizată într-un corp de iluminat Zhaga-D4i, urmează să fie eliberate de furnizorul principal al dispozitivului de control. Nerespectarea acestui sfat poate avea cauză risc de daune și nerespectarea pentru care Signify nu își poate asuma nicio responsabilitate. Dacă este necesar să schimbați componentele electrice, acestea ar trebui schimbate cu exact același tip și model (sau conform recomandărilor de către Signify). Signify nu poate asigura că, prin schimbarea în componente ale altor producători, produsul va rămâne în conformitate cu normele și reglementările. Poziția cablajului nu trebuie schimbată. Dacă un cablu sau un cablu extern flexibil este furnizat împreună cu acest corp de iluminat și este deteriorat, acesta va fi înlocuit cu un cablu sau un cablu special disponibil exclusiv de la producător sau de la agentul său de service. Sursa de lumină conținută în acest corp de iluminat poate fi înlocuită numai de producător sau de agentul său de service sau de o persoană calificată similară. În cazul cablului izolat cu PVC, instalatorul trebuie să se asigure că întregul cablu este protejat împotriva condițiilor meteorologice, în special UV și ploaie, prin reținerea cablului în interiorul corpului de iluminat și/sau stâlp. Corpurile de iluminat montate pe perete sau reglabile care utilizează un cablu extern flexibil mai lung de 30 cm trebuie instalate în afara razei de acțiune a mainilor/bratelor. În cazul produselor din grupa de risc 2, corpul de iluminat trebuie poziționat astfel încât să nu fie posibilă o privire prelungită în sursa corpului de iluminat de la distanța indicată în instrucțiunile de montare. Corpul de iluminat are izolație de bază între conductorii de alimentare și de control de joasă tensiune. Dacă blocul de borne nu este inclus, instalarea trebuie efectuată de o persoană calificată. Acest produs conține o sursă de lumină din clasa de eficiență energetică: vezi tabel sau etichetă. .
- LV** Produktu uzglabāšana, uzstādīšana, lietošana, ekspluatācija un apkope jāveic precīzi saskaņā ar norādījumiem montāžas instrukcijā kopā ar produktu un/vai citām instrukcijām, ko varam sniegt, lai garantētu produkta drošu lietošanu visā tā kalpošanas laikā. Šo norādījumu neievērošana padarīs nederīgas jūsu tiesības uz garantiju. Skrūves ar norādi par griezes momenta stipriņu uz rasējuma ir jāpievelk, izmantojot kalibrētu griezes momenta uzgriežņu atslēgu. Iepriekš samontētas bulskrūves jāatgriež atpakaļ vajadzīgajā griezes momenta specifikācijā, lai nodrošinātu maksimālo stipriņu visā kalpošanas laikā. Attiecībā uz Zhaga-D4i sertificētiem gaismekļiem jāizmanto tikai Zhaga-D4i sertificētas vadības ierīces. Divu kombinācijā izmantojamo Zhaga-D4i vadības ierīču funkcionālā saderība, kā arī jebkuras līnijas slēdža funkcijas pārbaude, jāslēdz t.s. master vadības ierīču piegādātājam jāatbrīvo. Šī padoma neievērošanas gadījumā, var rasties/radīs kaitējuma un neatbilstības risku, par ko Signify nevar uzņemt nekādu atbildību. Ja nepieciešams, līnijas elektriskās komponentas, tie jāmaina pret vienu un to pašu tipu un modeli (vai, kā to alternatīvi iesaka Signify). Signify nevar garantēt, ka, samainot uz citu ražotāju sastāvdaļām, produkts paliks atbilstošs normām un noteikumiem. Vadu savienojumu pozīciju nedrīkst mainīt. Ja šim gaismeklim ir komplektā piegādātais ārējais elastīgais kabelis vai vads, tiek sabojāts, to nomaina pret speciālu kabeli vai vadu, kas pieejams tikai no ražotāja vai tā servisa aģenta. Šajā gaismeklī esošo gaismas avotu nomaina tikai ražotājs vai tā servisa aģents, vai līdzīga kvalificēta persona. Ja kabelis ir izolēts ar PVC, instalētājam jāpārbauda, ka kabelis ir pilnībā aizsargāts pret laika apstākļiem, jo īpaši UV un lietu, kabeli ievietojošajam gaismeklī un/vai stabā. Pie sienas piestiprināmi vai regulējami gaismekļi, kuros izmanto ārēju elastīgu kabeli, kas garāks par 30 cm, jāuzstāda ārpus rīkas. 2 Riska grupas produktu gadījumā gaismeklis jānovieto tā, lai nebūtu gaidāma ilgstoša lūkošanās gaismeklī no attāluma, kas norādīts montāžas instrukcijā. Gaismeklim ir pamatizolācija starp zemsprieguma padevi un vadības vadiem. Ja termināļa bloks nav iekļauts, uzstādīšana jāveic kvalificētai personai. Šis produkts satur sekojošās energoefektivitātes klases gaismas avotu: sk. tabulu vai etiķeti.

HU A termékek tárolását, telepítését, használatát, üzemeltetését és karbantartását pontosan a termékhez csatolt szerelési útmutatóban és / vagy az általunk biztosított egyéb utasításoknak megfelelően kell elvégezni, hogy garantáljuk a termék biztonságos használatát az élettartama alatt. Ezen utasítások be nem tartása érvényteleníti a jótállási jogát. A rajzon a nyomaték-erősséggel jelzett csavarokat meg kell húzni egy kalibrált nyomatékkel. Az előre összeszerelt csavarokat újra meg kell húzni a szükséges nyomaték specifikációhoz, hogy biztosítsák a maximális szilárdságot az élettartam során. A Zhaga-D4i/SR-tanúsítás alapú világítótestekkel csak Zhaga-D4i/SR-tanúsítás alkatrészek és érzékelők használhatók. Két funkcionális kompatibilis Zhaga-D4i/SR-tanúsítás alkatrész, érzékelő illetve Zhaga-D4i/SR-alapú világítótestbe beszerelt vezérelhető hálózataldali leválasztó kapcsoló csak akkor használható együtt, ha azok közös használatát a fő vezérlőelem (szenzor) gyártója jóváhagyta. Ezen tanácsok be nem tartása károkat és nem megfelelővé teszi az okozhat, amiért a Signify nem vállal felelősséget. Elektromos alkatrészeket cseréje esetén, pontosan az eredeti típusnak és modellnek megfelelő, vagy a Signify által javasolt alternatíva használata kötelező. Signify nem tudja garantálni, hogy más gyártók által gyártott alkatrészekre való áttérés esetén a termék megfelel az előírásoknak és szabványoknak. A vezeték helyzete nem változtatható meg. Amennyiben a lámpatesthez tartozó külső rugalmas kábel vagy vezeték sérül, azt kizárólag a gyártó vagy annak szerviz képviselője által kínált speciális kábelrel vagy vezetékkel kell pótolni. A lámpatestben lévő fényforrás csak a gyártó vagy szerviz képviselője, vagy hasonló képesítésű személy cserélheti ki. PVC szigetelésű kábelek esetén az installálónak gondoskodnia kell arról, hogy a kábel teljes hosszában védve legyen az időjárási hatások, mint az UV sugárzás és az eső ellen, úgy, hogy a kábel a lámpatestben és/vagy oszlopon belül helyezze el. A 30 cm-nél hosszabb külső rugalmas kábelrel ellátott falra szerelhető vagy állítható lámpatesteket úgy kell felszerelni, hogy azok ne legyenek közvetlenül elérhetőek. A 2-es kockázati csoportba sorolt termékek esetén a lámpatestet úgy kell elhelyezni, hogy az abba való hosszú ideig tartó nézés ne legyen lehetséges a szerelési útmutatóban meghatározott távolságból. A lámpatest alapvető szigeteléssel rendelkezik a kifeszültségű táp- és vezérlővezetékek között. Amennyiben a csatlakozóblokk nem része a terméknek, a telepítést csak képesített szakember végezheti. Ez a termék energiahatékonyasági osztályú fényforrás tartalmaz: lásd a táblázatot vagy a címkét.

BG Съхранението, инсталирането, използването, експлоатацията и поддръжката на продуктите трябва да се извършват точно в съответствие с инструкциите в инструкцията за монтаж на продукта и/или други инструкции, които могат да бъдат предоставени от нас, за да се гарантира безопасното използване на продукта през целия експлоатационен срок. Неспазването на тези инструкции ще анулира правото ви на гаранция. Болтовете с обозначение на силата на въртящия момент на чертежа трябва да бъдат затегнати с помощта на калибриран динамометричен ключ. Предварително сглобените болтове трябва да бъдат затегнати отново до изискваната спецификация на въртящия момент, за да се осигури максимална здравина през целия живот. За Zhaga-D4i сертифицирани осветителни тела трябва да се използват само Zhaga-D4i сертифицирани управляващи устройства. Функционалната съвместимост на две контролни устройства Zhaga-D4i, които ще се използват в комбинация, както и възможността за промяна на която и да е функция за управление, използвана в осветително тяло Zhaga-D4i, трябва да бъдат разрешени от доставчика на главното контролно устройство. Неспазването на този съвет може/ще доведе до риск от повреда и несъвместимост, за които Signify не поема отговорност. Ако е необходимо да се сменят електрически компоненти, те трябва да бъдат сменени с абсолютно същия тип и модел (или както алтернативно се препоръчва от Signify). Signify не може да гарантира, че при промяна на компоненти на други производители, продуктът ще остане в съответствие с нормите и разпоредбите. Начина на окабеляването не трябва да се променя. Ако външен гъвкав кабел е доставен с това осветително тяло и е повреден, той трябва да бъде заменен със специален кабел, доставен от производителя или негов сервизен агент. Източникът на светлина, съдържащ се в това осветително тяло, трябва да се заменя само от производителя или негов сервизен агент или лице с подобна квалификация. В случай на кабел с PVC изолация, монтажникът трябва да гарантира, че целият кабел е защитен от атмосферни условия, особено UV и дъжд, като държи кабела вътре в осветителното тяло и/или стълб. Монтирани на стена или регулируеми осветителни тела, използващи външен гъвкав кабел, по-дълъг от 30 cm, трябва да се монтират извън обсега на ръката на човек. В случай на продукти от рисковата група 2, осветителното тяло трябва да бъде разположено така, че да не се очаква продължително виждане в осветителното тяло на разстояние, както е посочено в инструкцията за монтаж. Осветителното тяло има основна изолация между хранящата проводник за ниско напрежение и управляващия проводник. Ако клеморедът не е част от комплекта, инсталирането трябва да се извърши от квалифицирано лице. Този продукт съдържа източник на светлина от клас на енергийна ефективност: вижте таблицата или етикета.

EE Toodete ladustamine, paigaldamine, kasutamine, käitamine ja hooldamine peab toimuma täpselt vastavalt tootega kaasas oleva paigaldusjuhendi ja/või muude meie poolt antud juhiste kohaselt, et tagada toote ohutu kasutamine kogu selle kasutusaja jooksul. Nende juhiste eiramine muudab teie garantiidiguse kehtetuks. Poldid, millel on joonisel märgitud pöördemomendi tugevus, tuleb pingutada kalibreeritud pöördemomendi võtmega. Eelnevalt kokku pandud poldid tuleb uuesti pingutada nõutava pöördemomendiga, et tagada maksimaalne tugevus kogu eluea jooksul. Zhaga-D4i sertifitseeritud valgustite puhul tuleb kasutada ainult Zhaga-D4i sertifitseeritud juhtimisvahendeid. Kahe koos kasutatava Zhaga-D4i juhtseadme funktsionaalse ühilduvuse, samuti Zhaga-D4i valgustis kasutatava mis tahes liinilülitusfunktsiooni ülekäiguvõimaluse peab avaldama peamise juhtseadme tarnija. Selle nõuande eiramine võib/võib põhjustada kahju ja mittevastavuse riski, mille eest Signify ei saa võtta mingit vastutust. Kui on vaja vahetada elektrilisi komponente, tuleb need vahetada täpselt sama tüüpi ja sama mudeliga (või vastavalt Signify soovistele). Signify ei saa garanteerida, et teiste tootjate komponentide vastu vahetades jääb toode normidele ja eeskirjadele vastavaks. Juhtmete asukohta ei tohi muuta. Kui selle valgustiga on kaasas painduv väliskaabel või -juhe, mis on kahjustatud, tuleb see asendada spetsiaalse kaabli või juhtmega, mis on saadaval ainult tootjalt või tema teenindusagentuurilt. Selles valgustis sisalduva valgusalilika võib välja vahetada ainult tootja või tema teenindusagent või samalaadse kvalifikatsiooniga isik. PVC-isoleeritud kaabli puhul peab paigaldaja tagama, et kogu kaabel on kaitstud ilmastikutingimuste, eriti UV-kiirguse ja vihma eest, paigutades kaabli valgusti ja/või posti sisse. Seinale paigaldatavad või reguleeritavad valgustid, mis kasutavad välist painduvat kaablit, mis on pikem kui 30 cm, tuleb paigaldada väljaspool kääulatust. Riskirühma 2 toodete puhul tuleb valgusti paigutada nii, et paigaldusjuhendis näidatud kauguselt ei ole oodata pikemaajalist valgustisse vaatamist. Valgustil on madalpinge toite- ja juhtjuhtmete vaheline põhiisolatsioon. Kui klemmplokk ei ole kaasas, peab paigaldamise teostama kvalifitseeritud isik. See toode sisaldab energiatõhususe klassi valgusalilikat: vt tabelit või etiketti.

LT Gaminius reikia laikyti, montuoti, naudoti, eksploatuoti ir prižiūrėti tiksliai laikantis montavimo instrukcijas kartu su gaminiu pateiktų nurodymų ir (arba) kitų mūsų pateiktų nurodymų, kad būtų užtikrintas saugus gaminio naudojimas visą jo naudojimo laiką. Jei nesilaikysite šių instrukcijų, neteksite teisės į garantiją. Varžtus, kurių brėžinyje nurodytas sukimo momento stiprumas, reikia priveržti kalibruotu dinamometriniu raktu. Iš anksto sumontuotus varžtus reikia dar kartą priveržti pagal reikiamą sukimo momento specifikaciją, kad būtų užtikrintas maksimalus stiprumas per visą eksploatavimo laiką. Sertifikuotiems „Zhaga-D4i“ šviestuvams galima naudoti tik „Zhaga-D4i“ sertifikuotus valdymo įtaisus. Dviejų kartu naudojamų „Zhaga-D4i“ valdymo įtaisų funkcinių suderinamumą, taip pat bet kurios „Zhaga-D4i“ šviestuve naudojamos linijos jungiklio (override) funkcijos panaikinimo galimybę turi užtikrinti pagrindinio valdymo įtaiso tiekėjas. Nesilaikant šio patarimo, gali kilti (kils) žalos ir neatitikties rizika, už kurią „Signify“ negali prisiimti jokios atsakomybės. Jei reikia pakeisti elektrinius komponentus, jie turi būti keičiami į lygiai tokio paties tipo ir modelio (arba kaip pataria „Signify“). „Signify“ negali užtikrinti, kad pakeitus gaminių kitų gamintojų komponentais, jis ir toliau atitiktis normas ir reglamentus. Negalima keisti laidų padėties. Jei su šiuo šviestuvu tiekiamas išorinis lankstus kabelis arba laidas yra pažeistas, jis turi būti pakeistas specialiu kabeliu arba laidu, kurį galima įsigyti tik iš gamintojo arba jo techninės priežiūros atstovo. Šiame šviestuve esantį šviesos šaltinį gali pakeisti tik gamintojas, jo aptarnavimo atstovas arba panašią kvalifikaciją turintis asmuo. Jei kabelis yra su PVC izoliacija, montuotojas turi užtikrinti, kad visas kabelis būtų apsaugotas nuo oro sąlygų, ypač nuo ultravioletinių spindulių ir lietaus, laikydamas kabelį šviestuvo ir (arba) stulpo viduje. Ant sienos montuojamus arba reguliuojamus šviestuvus, naudojančius ilgesnį nei 30 cm išorinį lankstųjį kabelį, reikia montuoti nepasiekiamoje vietoje. Jei tai yra 2 rizikos grupės gaminiai, šviestuvus turi būti pastatytas taip, kad nebūtų tikėtinas ilgalaikis žiūrėjimas į šviestuvą tokiu atstumu, kaip nurodyta montavimo instrukcijoje. Šviestuvus turi pagrindinę izoliaciją tarp žemos įtampos maitinimo ir valdymo laidininkų. Jei gnybtų blokas nepridėtas, montavimo darbus turi atlikti kvalifikuotas asmuo. Šiame gaminyje yra šviesos šaltinis, kurio energijos vartojimo efektyvumo klasė: žr. lentelę arba etiketę.

HR Skladištenje, instalacija, uporaba, rad i održavanje proizvoda moraju se izvoditi točno u skladu s uputama u uputama za montažu uz proizvod i/ili drugim dostavljenim uputama kako bismo zajamčili sigurnu uporabu proizvoda tijekom cijelog životnog vijeka. Nepridržavanje ovih uputa poništava vaše pravo na jamstvo. Vijake s naznačenom snagom momenta učvršćivanja na crtežu potrebno je zategnuti pomoću kalibriranog moment ključa. Unaprijed montirane vijake potrebno je ponovno zategnuti prema specifikaciji potrebnog momenta kako bi se osigurala maksimalna čvrstoća tijekom životnog vijeka. Za Zhaga-D4i certificirane svjetiljke smiju se koristiti samo Zhaga-D4i certificirani kontrolni uređaji. Funkcionalnu kompatibilnost dva Zhaga-D4i upravljačka uređaja koji će se koristiti u kombinaciji, kao i mogućnost prioritarnog upravljanja u odnosu na funkciju preklapanja pilot žilom u Zhaga-D4i rasvjetnom tijelu, ovisi o postavkama glavnog upravljačkog uređaja od strane njegovog dobavljača. Nepridržavanje uve upute može/će prouzročiti rizik štete ili nepravilnog funkcioniranja svjetiljki za koje Signify ne može preuzeti nikakvu odgovornost. Ako je potrebno zamijeniti električne komponente, treba ih zamijeniti istim tipom i modelom (ili prema savjetu Signifyja). Signify ne može jamčiti da će proizvod s komponentama zamijenjenim komponentama drugih proizvođača ostati u skladu s normama i propisima. Način ožičenja ne smije se mijenjati. Ako je vanjski savitljivi kabel ili kabel isporučen s ovom svjetiljkom i oštećen je, treba ga zamijeniti posebnim kabelom ili kabelom koji je dostupan isključivo od proizvođača ili njegovog servisnog agenta. Izvor svjetlosti koji se nalazi u ovoj svjetiljci smije zamijeniti samo proizvođač ili njegov serviser ili slična kvalificirana osoba. U slučaju kabela s PVC izolacijom, instalater mora osigurati da je cijeli kabel zaštićen od vremenskih uvjeta, posebno UV zraka i kiše, tako da se kabel drži unutar svjetiljke i/ili stupa. Zidne ili podesive svjetiljke koje koriste vanjski savitljivi kabel dulji od 30 cm moraju se postaviti izvan dohvata ruke. U slučaju proizvoda fotobiološke rizične skupine 2, svjetiljku treba postaviti tako da se ne očekuje dugotrajno gledanje u rasvjetno tijelo na udaljenosti kako je naznačeno u uputama za montažu. Svjetiljka ima osnovnu izolaciju između niskonaponskog napojnog i upravljačkog vodiča. Ako priključni blok nije uključen, instalaciju mora izvršiti kvalificirana osoba. Ovaj proizvod sadrži izvor svjetla klase energetske učinkovitosti: pogledajte tablicu ili naljepnicu

SL Skladištenje, namestitvev, uporaba, delovanje in vzdrževanje izdelkov je treba izvajati natančno v skladu z navodili za montažo in/ali druga navodila, ki jih lahko zagotovimo, da zagotovimo varno uporabo izdelka skozi celotno življenjsko dobo. Neupoštevanje teh navodil bo razveljavilo vašo pravico do garancije. Vijake z navedbo navora na risbi je treba zategniti s kalibriranim momentnim ključem. Vnaprej sestavljene vijake je treba ponovno zategniti do zahtevane specifikacije navora, da se zagotovi dovoljšna trdnost v življenjski dobi. Za svetilke s certifikatom Zhaga-D4i se smejo uporabljati samo krmilne naprave s certifikatom Zhaga-D4i. Funkcionalno združljivost dveh krmilnih naprav Zhaga-D4i, ki se uporabljata v kombinaciji, kot tudi možnost preglasitve katere koli funkcije krmilnega vodnika, ki se uporablja v svetilki Zhaga-D4i, mora izdati dobavitelj glavne krmilne naprave. Neupoštevanje tega nasveta lahko povzroči tveganje za škodo in neskladnost, za kar Signify ne prevzema nobene odgovornosti. Če je treba zamenjati električne komponente, jih je treba zamenjati s popolnoma enakim tipom in modelom (ali kot alternativno svetuje Signify). Signify ne more zagotoviti, da bo izdelek ob zamenjavi komponent drugih proizvajalcev ostal v skladu z normami in predpisi. Položaj napeljav se ne sme spreminjati. Če je zunanji gibljivi kabel ali kabel priložen tej svetilki in je poškodovan, ga je treba zamenjati s posebnim kablom ali kablom, ki je na voljo izključno pri proizvajalcu ali njegovem serviserju. Svetlobni vir v tej svetilki sme zamenjati samo proizvajalec ali njegov serviser ali podobno usposobljena oseba. V primeru kabla s PVC izolacijo mora inštalater zagotoviti, da je celoten kabel zaščiten pred vremenskimi vplivi, zlasti UV in dežjem, tako da je kabel v notranjosti svetilke in/ali droga. Stenske ali nastavljive svetilke z zunanjim gibljivim kablom, daljšim od 30 cm, je treba namestiti zunaj dosega roke. V primeru izdelkov skupine tveganja 2 mora biti svetilka nameščena tako, da ni pričakovati dolgotrajnega strmenja v svetilko z razdalje, kot je navedeno v navodilih za montažo. Svetilka ima osnovno izolacijo med niskonapetostnimi napajalnimi in krmilnimi vodniki. Če priključni blok ni vključen, mora namestitvev opraviti usposobljena oseba. Ta izdelek vsebuje svetlobni vir razreda energetske učinkovitosti: glejte tabelo ali oznako.

SK Uskladnenie, inštalácia, používanie, prevádzkovanie a údržba produktov je potrebné vykonať v presnom súlade s inštrukciami v montážnom návode pri produkte a/alebo inými inštrukciami, ktoré môžu byť nami poskytnuté pre zabezpečenie bezpečného užívania produktu počas celej životnosti. Nedodržanie týchto inštrukcií zneplatní nárok na záruku. Skrutky s naznačeným uťahovacím momentom na nákrese, musia byť utiahnuté kalibrováňým momentovým kľúčom. Predmontované skrutky musia byť znova utiahnuté špecifikovaným momentom pre zabezpečenie maximálnej sily v priebehu času. Pre Zhaga-D4i certifikované svetidlá môžu byť použité len Zhaga-D4i certifikované riadiace prvky. Funkčná kompatibilita dvoch Zhaga-D4i riadiacich prvkov použitých v kombinácii, ako aj možnosť potlačenia akejkoľvek funkcie line-switch používanej v Zhaga-D4i svetidlách musí byť uvoľnená hlavným ovládacím zariadením. Nedodržanie týchto rád môže spôsobiť riziko poškodenia za ktoré Signify nenesie žiadnu zodpovednosť. Ak je potrebné vymeniť elektrické komponenty, mali by byť vymenené za úplne rovnaký typ a model (alebo alternatívnu odporučenú Signify). Signify nemôže zaručiť, že výmenou za komponent od iného výrobcu, produkt ostane v súlade s normami a nariadeniami. Pozícia prekáblovania by sa nemala meniť. Ak externý ohybný kábel je súčasťou dodávky svetidla a poškodí sa, mal by byť vymený špeciálnym káblom exkluzívne dostupným u výrobcu alebo obchodného zástupcu. Svetelný zdroj obsiahnutý v tomto svetidle môže byť vymený iba výrobcu alebo jeho servisný zástupca alebo podobne kvalifikovaná osoba. V prípade PVC izolácie kábla, montážnik musí zabezpečiť, že celý kábel je chránený pred poveternostnými podmienkami, špeciálne pred UV žiarením a dažďom, umiestnením kábla do svetidla a/alebo do stĺpu. Nástenne alebo nastaviteľné svetidlá používajúce externý ohybný kábel dlhší ako 30cm majú byť namontované mimo dosahu rúk. V prípade rizikovej skupiny (RG2) svetidlo by nemalo byť umiestnené tak, aby dlhší pohľad do svetidla z diaľky, tak ako je naznačené v montážnom návode, nie je očakávané. Svetidlo má základnú izoláciu medzi nízkonapäťovým napájacím a ovládacím vodičom. Ak ukončovací blok nie je priložený, inštaláciu musí zabezpečiť kvalifikovaná osoba. Tento výrobok obsahuje svetelný zdroj triedy energetickej účinnosti: pozri tabuľku alebo štítok.

NO Oppbevaring, montering, bruk, drift og vedlikehold av produktene må utføres nøyaktig i samsvar med instruksjonene i monteringsanvisningen som medfølger produktet og/eller andre instruksjoner vi måtte gi for å garantere sikker bruk av produktet i hele dets levetid. Hvis instruksjonene ikke følges, bortfaller garantien. Bolter med angivelse av dreiemoment på tegningen må strammes med en kalibrert momentnøkkel. Ferdigmonterte bolter må strammes på nytt til påkrevd dreiemoment for å sikre maksimal styrke i hele produktets levetid. For Zhaga-D4i-sertifiserte armaturer skal bare Zhaga-D4i-sertifiserte komponenter/sensorer brukes. Funksjonell kompatibilitet av 2 Zhaga-D4i-sertifiserte komponenter/sensorer som kan brukes i kombinasjon, samt overstyringsmulighet for en hvilken som helst linjeskiftfunksjon som brukes i en Zhaga-D4i lysarmatur, skal frigjøres av hovedkomponent/sensorleverandør. Det å ikke følge disse anbefalingene kan/vil medføre risiko for skade og manglende overholdelse som Signify ikke kan ta ansvar for. Hvis det er nødvendig å bytte elektriske komponenter, skal de byttes til eksakt samme type og modell (eller et alternativ som er anbefalt av Signify). Hvis det byttes til komponenter fra andre produsenter, kan ikke Signify garantere at produktet vil forbli i samsvar med normer og forskrifter. Ledningenes posisjon må ikke endres. Hvis en ekstern fleksibel kabel eller ledning som følger med armaturen er ødelagt, må den erstattes av en spesiell kabel eller ledning eksklusivt tilgjengelig fra produsenten eller agenten. Lyskilden i denne armaturen skal kun skiftes ut av produsenten eller dennes servicerepresentant eller en tilsvarende kvalifisert person. I tilfeller med PVC-isolert kabel må installatøren sørge for at hele kablen er beskyttet mot værforhold, spesielt UV og regn, ved å holde kablen inne i armatur og/eller stolpe. Veggmontert eller justerbare armaturer som bruker ekstern fleksibel kabel lenger enn 30 cm må installeres utenfor rekkevidde. Ved risikogruppe 2 produkter bør armaturen plasseres slik at det ikke kan forventes langvarig stiring inn på armaturen fra avstand som antydte i monteringsanvisningen. Armatur har grunnleggende isolasjon mellom lavspenningsforsyning og styreledere. Hvis rekkeklemme ikke er inkludert må installasjonen utføres av en kvalifisert person. Dette produktet inneholder en lyskilde i energieffektivitetsklasse: se tabell eller etikett.

TR Ürünlerin saklanması, kurulumu, kullanımı, çalıştırılması ve bakımı, ürünün kullanım ömrü boyunca güvenli kullanımının sağlanması amacıyla tam olarak ürünle birlikte gelen kılavuza ve/veya tarafımızdan sağlanan diğer talimatlara uygun biçimde gerçekleştirilmelidir. Söz konusu talimatlara uyulmaması, ürünle ilgili garanti hakkını geçersiz kılar. Teknik çizimde yanında sıkıma torku değeri belirtilen civatalar kalibre edilmiş bir tork anahtar kullanılarak sıkılmalıdır. Önceden takılmış olarak gelen civataların da belirtilen tork değerine uygun biçimde yeniden sıkılması, kullanım ömrü boyunca maksimum dayanıklılığın sağlanması açısından önemlidir. Zhaga-D4i sertifikalı armatürler için sadece Zhaga-D4i sertifikalı kontrol cihazları kullanılmalıdır. Birlikte kullanılacak iki Zhaga-D4i kontrol cihazının işlevsel uyumluluğu ve Zhaga-D4i tabanlı aydınlatma armatüründe kullanılan herhangi bir line-switch işleminin geçersiz kılınma olasılığı, ana kontrol cihazı tedarikçisi tarafından sağlanacaktır. Bu tavsiyelere uyulmaması, Signify'ın herhangi bir sorumluluk kabul edemeyeceği hasar ve uyumsuzluk riskine neden olabilir/olacaktır. Elektrikli bileşenleri değiştirmek gerektiğinde, bu bileşenler tam olarak aynı tip ve modelle (veya alternatif olarak Signify tarafından tavsiye edildiği şekilde) değiştirilmelidir. Signify, diğer üreticilerin bileşenleri kullanılan ürünün standart ve yönetmeliklere uygun kalacağını garanti edemez. Kablolama konumu değiştirilmemelidir. Bu armatürle birlikte harici bir esnek kablo veya kordon verilirse ve hasar görürse, yalnızca üreticiden veya üreticinin servis acentesinden temin edilebilen özel bir kablo veya kordon ile değiştirilmelidir. Bu armatürde bulunan ışık kaynağı yalnızca üretici ya da üreticinin servis acentesi veya benzer kalifiye bir kişi tarafından değiştirilmelidir. PVC izoleli kablo olması durumunda, kurulumu yapan kimse, kabloyu armatür ve/veya direğin içinde tutarak tüm kablounun hava koşullarına, özellikle UV ve yağmura karşı korunmasını sağlamalıdır. 30 cm'den daha uzun harici esnek bir kablo kullanılan duvara monte veya ayarlanabilir armatürler, kolların erişiminin dışına monte edilmelidir. Risk grubu 2 ürünler söz konusu olduğunda, armatürün içine doğrudan uzun süreli bakışın, kurulum kılavuzunda belirtilen mesafede olması beklenmemektedir. Armatür, Alçak Gerilim beslemesi ve kontrol iletkenleri arasında temel izolasyona sahiptir. Terminal bloğu dahil değilse, kurulum kalifiye bir kişi tarafından yapılmalıdır. Bu ürün, enerji verimliliği sınıfına sahip bir ışık kaynağı içerir: tabloya veya etikete bakın.

RU Хранение, монтаж, эксплуатацию и обслуживание изделий необходимо осуществлять в соответствии с инструкциям, приведенными в инструкции монтажа, идущей в комплекте с изделием и/или другими инструкциями, которые могут быть предоставлены с нашей стороны для обеспечения безопасной эксплуатации изделий на протяжении всего их срока службы. Несоблюдение этих инструкций приведет к потере прав на гарантию. Болты, для которых на чертеже указан крутящий момент, необходимо затягивать калиброванным динамометрическим ключом. Для обеспечения максимальной прочности изделия в течение всего срока службы болты, завинченные в ходе предварительной сборки, необходимо подтянуть до указанного момента. Светильники, сертифицированные согласно стандарта Zhaga-D4i, могут использоваться только с устройствами контроля, у которых тоже имеется Zhaga-D4i сертификат. Функциональная совместимость двух Zhaga-D4i устройств управления, которые будут использоваться вместе, а также возможность переопределения какой либо функции Line-Switch, которая используется в сертифицированном Zhaga-D4i светильнике, определяется поставщиком основного устройства контроля. Несоблюдение этой рекомендации может/приведет к риску повреждения и несоответствия спецификации, за который Signify не несет никакой ответственности. В случае необходимости замены электрических компонентов, они должны быть заменены на точно такой же тип и модель (или альтернативные, предложенные компанией Signify). Signify не может гарантировать, что замена на компоненты других производителей позволит продукту продолжать соответствовать стандартам и нормам. Размещение и позиция проводов не должна быть изменена. Если внешний кабель или провод, поставляемый со светильником, поврежден, он должен быть заменен специальным кабелем или проводом доступным исключительно у производителя или его сервисного агента. Источник света, содержащийся в этом светильнике, должен быть заменен только производителем, его сервисным агентом или аналогичным квалифицированным лицом. В случае использования изолированного ПВХ кабеля, монтажная организация должна удостовериться что весь кабель защищен от воздействия погоды, особенно УФ и дождя, размещая кабель внутри светильника и/или опоры. Монтируемые на стену или направляемые светильники, в которых используется внешний кабель длиннее 30 см, должны быть установлены за пределами зоны доступа кронштейна. В случае изделий с группой риска 2, светильник должен быть установлен таким образом, чтобы продолжительный зрительный контакт со светящей частью светильника на расстоянии, указанном в инструкции монтажа был невозможен. Светильник имеет базовую изоляцию между проводами питания низкого напряжения и проводами управления. В случае, если клеммный блок не в комплекте, монтаж должен быть осуществлен квалифицированным персоналом. Данное изделие содержит источник света с классом энергоэффективности: см. таблицу или этикетку.

UA Зберігання, встановлення, використання та обслуговування продукції має проводитись у точній відповідності до вказівок приведених у монтажній інструкції, яка йде в комплекті з продукцією, та/або інших інструкціях, які можуть бути надані з нашої сторони для забезпечення безпечної експлуатації продукції на протязі всього її терміну служби. Недотримання цих інструкцій призведе до втрати права на гарантію. Болти, із зазначенням сили затягування на кресленні, необхідно затягувати каліброваним динамометричним ключем. Для забезпечення максимальної міцності на протязі всього терміну служби, болти, які були загвинчені під час попередньої зборки, мають бути підтягнуті до заданого значення моменту. Світильники сертіфіковані за стандартом Zhaga-D4i можуть використовуватись лише з пристроями контролю які також мають Zhaga-D4i сертифікат. Функціональна сумісність двох Zhaga-D4i пристроїв керування, які будуть використовуватись разом, а також можливість перевизначення будь-якої функції Line-Switch, що використовується в Zhaga-D4i світильнику, визначається постачальником основного пристрою контролю. Недотримання цієї поради може/спричинити ризик пошкодження та невідповідності специфікації, за які Signify не несе жодної відповідальності. У разі необхідності заміни електричних компонент, вони мають бути замінені на точно такий же тип і модель (або альтернативні запропоновані компанією Signify). Signify не може гарантувати, що при заміні на компоненти інших виробників продукція залишатиметься відповідною нормам і правилам. Розташування електропроводки не має змінюватись. Якщо зовнішній гнучкий кабель або шнур, який постачається з цим світильником, пошкоджений, його слід замінити спеціальним кабелем або шнуром, який доступний виключно у виробника або його сервісного агента. Джерело світла, яке міститься в цьому світильнику, має замінювати лише виробник, його агент з обслуговування або подібна кваліфікована особа. У разі використання кабелю з ПВХ-ізоляцією, монтажна організація повинна переконаатись, що весь кабель захищено від погодних умов, особливо від ультрафіолетового випромінювання та дощу, шляхом розміщення кабелю всередині світильника та/або опоры. Настінні або направлені світильники, які використовують зовнішній гнучкий кабель довжиною понад 30 см, слід установлювати поза межами доступу кронштейна. У випадку продуктів групи ризику 2, світильник слід розташувати так, щоб тривалий зоровий контакт з яскравою частиною світильника, розміщеного на відстані вказаній в монтажній інструкції, був унеможливлений. Світильник має базову ізоляцію між низьковольтними провідниками живлення та проводами керування. Якщо клемний блок не входить до комплекту, установку має виконувати кваліфікована особа. Цей продукт містить джерело світла класу енергоефективності: див. таблицю або етикетку.

BA Skladiščenje, namestitve, uporaba, delovanje in vzdrževanje izdelkov je treba izvajati natančno v skladu z navodili za montažo in/ali druga navodila, ki jih lahko zagotovimo, da zagotovimo varno uporabo izdelka skozi celotno življenjsko dobo. Neupoštevanje teh navodil bo razveljavilo vaše pravico do garancije. Vijake z navedbo navora na risbi je treba zategniti s kalibriranim momentnim ključem. Vnaprej postavljene vijake je treba ponovno zategniti do zahtevane specifikacije navora, da se zagotovi dovoljšna trdnost v življenjski dobi. Za svetilke s certifikatom Zhaga-D4i se smejo uporabljati samo krmilne naprave s certifikatom Zhaga-D4i. Funkcionalno združljivost dveh krmilnih naprav Zhaga-D4i, ki se uporabljata v kombinaciji, kot tudi možnost preglasitve katere koli funkcije krmilnega vodnika, ki se uporablja v svetilki Zhaga-D4i, mora izdati dobavitelj glavne krmilne naprave. Neupoštevanje tega nasveta lahko povzroči tveganje za škodo in neskladnost, za kar Signify ne prevzema nobene odgovornosti. Če je treba zamenjati električne komponente, jih je treba zamenjati s popolnoma enakim tipom in modelom (ali kot alternativno svetuje Signify). Signify ne more zagotoviti, da bo izdelek ob zamenjavi komponent drugih proizvajalcev ostal v skladu z normami in predpisi. Položaj napeljave se ne sme spreminjati. Če je zunanji gibljivi kabel ali kabel priložen tej svetilki in je poškodovan, ga je treba zamenjati s posebnim kablom ali kablom, ki je na voljo izključno pri proizvajalcu ali njegovem serviserju. Svetlobni vir v tej svetilki sme zamenjati samo proizvajalec ali njegov serviser ali podobno usposobljena oseba. V primeru kabla s PVC izolacijo mora inštalater zagotoviti, da je celoten kabel zaščiten pred vremenskimi vplivi, zlasti UV in dežjem, tako da je kabel v notranjosti svetilke in/ali droga. Stenske ali nastavljive svetilke z zunanjim gibljivim kablom, daljšim od 30 cm, je treba namestiti zunaj dosega roke. V primeru izdelkov skupine tveganja 2 mora biti svetilka nameščena tako, da ni pričakovati dolgotrajnega strmenja v svetilko z razdalje, kot je navedeno v navodilih za montažo. Svetilka ima osnovno izolacijo med nizkonapetostnimi napajalnimi in krmilnimi vodniki. Če priključni blok ni vključen, mora namestitev opraviti usposobljena oseba. Ta izdelek vsebuje svetlobni vir razreda energijske učinkovitosti: glejte tabelo ali oznako.

Annex I: Simplified EU Declaration of Conformity

Hereby, declares that the radio equipment type is in compliance with **Directive 2014/53/EU**.
The full text of the EU declaration of conformity is available at the following internet address:

<http://www.signify.com>

"Signify":

- GB** hereby, declares that the radio equipment type is in compliance with Directive 2014/53/EU. The full text of the EU declaration of conformity is available at the following internet address:
- DE** hiermit, dass der Funkanlagentyp der Richtlinie 2014/53/EU entspricht. Der vollständige Text der EU-Konformitätserklärung ist unter folgender Internetadresse verfügbar:
- FR** le soussigné déclare que l'équipement radioélectrique du type est conforme à la Directive 2014/53/EU. Le texte complet de la déclaration UE de conformité est disponible à l'adresse internet suivante:
- IT** il fabbricante, dichiara che il tipo di apparecchiatura radio è conforme alla Direttiva 2014/53/EU. Il testo completo della dichiarazione di conformità UE è disponibile al seguente indirizzo Internet:
- ES** por la presente, declara que el tipo de equipo radioeléctrico es conforme con la Directiva 2014/53/EU. El texto completo de la declaración UE de conformidad está disponible en la dirección de Internet siguiente:
- PT** o abaixo assinado declara que o tipo de equipamento de rádio está em conformidade com a Diretiva 2014/53/EU. O texto integral da declaração UE de conformidade está disponível no seguinte endereço de Internet:
- GR** με το παρόν δηλώνουμε ότι ο τύπος ραδιοεξοπλισμού συμμορφώνεται με την οδηγία 2014/53/EU. Το πλήρες κείμενο της δήλωσης συμμόρφωσης της ΕΕ διατίθεται στην ακόλουθη διεύθυνση στο διαδίκτυο:
- NL** hierbij verklaar ik, dat het type radioapparatuur conform is met Richtlijn 2014/53/EU. De volledige tekst van de EU-conformiteitsverklaring kan worden geraadpleegd op het volgende internetadres:
- SE** härmed försäkrar att denna typ av radioutrustning överensstämmer med Direktiv 2014/53/EU. Den fullständiga texten till EU-försäkran om överensstämmelse finns på följande webbadress:
- FI** vahvistaa, että valaisimessa oleva radiolaite on EU-direktiivin 2014/53/EU mukainen. Vaatimustenmukaisuustodistus on luettavissa verkkosivuillamme:
- DK** hermed erklærer, at radioudstyrstypen er i overensstemmelse med Direktiv 2014/53/EU. EU-overensstemmelseserklæringens fulde tekst kan findes på følgende internetadresse:
- CZ** tímto prohlašuje, že typ rádiového zařízení je v souladu se Směrnicí 2014/53/EU. Uplné znění EU prohlášení o shodě je k dispozici na této internetové adrese:
- PL** niniejszym oświadczam, że typ urządzenia radiowego jest zgodny z dyrektywą 2014/53/EU. Pełny tekst deklaracji zgodności UE jest dostępny pod następującym adresem internetowym:

"Signify":

- RO** prin prezenta, declară că tipul de echipament radio inclus în aparatul de iluminat este în conformitate cu Directiva 2014/53/EU. Textul integral al declarației de conformitate UE este disponibil la următoarea adresă de internet:
- LV** ar šo paziņo, ka gaismeklī iekļautais radioiekārtu tips atbilst Direktīvai 2014/53/EU. Pilns ES atbilstības deklarācijas teksts ir pieejams šādā tīmekļa vietnē:
- HU** igazolja, hogy a típusú rádióberendezés megfelel a 2014/53/EU irányelvnek. Az EU-megfelelőségi nyilatkozat teljes szövege elérhető a következő internetes címen:
- BG** с настоящото декларира, че типът радиооборудване, включено в осветителното тяло, е в съответствие с Директива 2014/53/EU. Пълният текст на ЕС декларацията за съответствие е достъпен на следния интернет адрес:
- EE** käesolevaga kinnitab, et valgusti raadioseadmete tüüp vastab Direktiivile 2014/53/EU. ELi vastavusdeklaratsiooni täistekst on kättesaadav järgmisel internetiaadressil:
- LT** šiuo dokumentu pareiškia, kad į šviestuvą įmontuotos radijo įrangos tipas atitinka Direktyvą 2014/53/EU. Visą ES atitikties deklaracijos tekstą galima rasti šiuo interneto adresu:
- HR** ovime izjavljuje da je vrsta radijske opreme uključena u rasvjetno tijelo u skladu s Direktivom 2014/53/EU. Potpuni tekst EU izjave o sukladnosti dostupan je na sljedećoj internet adresi:
- SL** potrjuje, da je tip radijske opreme skladen z Direktivo 2014/53/EU. Celotno besedilo izjave EU o skladnosti je na voljo na naslednjem spletnem naslovu:
- SK** týmto vyhlasuje, že typ rádiového zariadenia zahrnutý do svetidla je v súlade so Smernicou 2014/53/EU. Uplné znenie vyhlásenia o zhode EU je k dispozícii na tejto internetovej adrese:
- NO** erklærer herved at den type radioutstyr inkludert i denne armaturen er i samsvar med Direktiv 2014/53/EU. Den fullstendige teksten til EU-samsvarserklæringen er tilgjengelig på følgende:
- TR** burada bulunan, radyo ekipmanı tipinin, 2014/53/EU Yönergesi ile uyumlu olduğunu beyan eder. AB uygunluk beyanının tam metnini aşağıdaki internet adresinden ulaşılabilir:
- RU** настоящим декларирует, что тип радиооборудования соответствует Директиве 2014/53/EU. Полный текст декларации о соответствии ЕС доступен по ссылке:
- UK** наступним декларує, що тип радіобладнання відповідає Директиві 2014/53/EU. Повний текст декларації про відповідність вимогам ЄС доступний за посиланням:
- BA** ovim se izjavljuje da je tip radio opreme u skladu sa Direktivom 2014/53/EU. Kompletan tekst deklaracije o usaglasenosti EU dostupan je na sledećoj internet adresi:



© 2021-2026 Signify Holding

All rights reserved. The information provided herein is subject to change, without notice. Signify does not give any representation or warranty as to the accuracy or completeness of the information included herein and shall not be liable for any action in reliance thereon. The information presented in this document is not intended as any commercial offer and does not form part of any quotation or contract, unless otherwise agreed by Signify. All trademarks are owned by Signify Holding or their respective owners.

Signify Holding
The Netherlands