

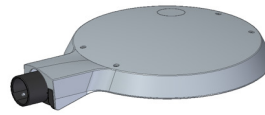
PHILIPS

TownTune Asymmetric

BDP265/266/267/268
BDP270/271/272/273



BDP265



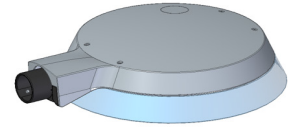
BDP272



BDP273



BDP266



220V
240V

50Hz
60Hz



IEC
EN60598



IP66

IK09

LEDs



Max.
35 °C
Min.
-40°C



4-8m



Photobiological Risk
Luminaire Surge Protection
Luminaire Surge Protection with SPD *optional

RG1 (valid for Neutral and Warm White)
DM/CM 6/8 kV (C-I/C-II)
DM/CM 10/10 kV (C-I) - 10/8 kV (C-II) - 10/10 kV (C-II) (optional ground for installer)



led color



ledgine

LEDs

W

+/-10%

Source

+/-7%

Efficiency
Class



740

LED8	6	5,8	800
LED10	6	7	1000
LED12	10	8,1	1200
LED14	10	9,3	1400
LED16	10	10,6	1600
LED18	10	11,6	1800
LED20	10	13	2000
LED22	10	14,2	2200
LED24	10	15,6	2400
LED27	10	17,4	2700
LED30	10	19,6	3000
LED34	20	21	3400
LED35	20	21,5	3500
LED39	20	24	3900
LED40	20	24,5	4000
LED44	20	27	4400
LED45	20	28	4500
LED50	30	29,5	5000
LED55	30	32,5	5600
LED59	30	35	6000
LED64	30	38	6400
LED69	30	41,5	7000
LED74	30	44,5	7400
LED79	40	46,5	8000
LED84	40	49,5	8400
LED90	40	53	9000
LED94	40	56	9400
LED109	40	65	11000
LED120	40	72	12000
LED130	40	79	13000

D



6,8kg*



583 - 443000020785 G
2021-07-23
© SignifyHolding
All rights reserved



Efficiency Class






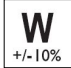
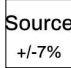



	LED color	LED engine	LEDs	W +/-10%	Source +/-7%	Efficiency Class			
	LED6	6	6	600					
	LED8	6	7,6	800					
	LED10	6	9,4	1000					
	LED12	10	10,8	1200					
	LED14	10	12,4	1400					
	LED16	10	14,2	1600					
	LED18	10	16	1800					
	LED20	10	17,8	2000					
	LED22	10	19,6	2200					
	LED24	10	21,5	2400					
	LED27	20	22,5	2700					
	LED30	20	25,5	3000					
	LED34	20	29	3400					
722	LED35	20	29,5	3500		E	✓	✓	6,8kg*
	LED39	20	33	3900					
	LED40	20	34	4000					
	LED44	20	38	4400					
	LED45	20	39	4500					
	LED50	30	41	5000					
	LED55	30	45,5	5600					
	LED59	30	49	6000					
	LED64	30	53	6400					
	LED69	30	58	7000					
	LED74	30	63	7400					
	LED79	40	65	8000					
	LED84	40	69	8400					
	LED90	40	75	9000					
	LED94	40	78	9400					
	LED8	6	6,7	800					
	LED10	6	8,1	1000					
	LED12	10	9,4	1200					
	LED14	10	10,8	1400					
	LED16	10	12,2	1600					
	LED18	10	13,6	1800					
	LED20	10	15,2	2000					
	LED22	10	16,8	2200					
	LED24	10	18,4	2400					
	LED27	10	21	2700					
	LED30	20	21,5	3000					
	LED34	20	24,5	3400					
	LED35	20	25,5	3500					
727	LED39	20	28,5	3900		E	✓	✓	6,8kg*
	LED40	20	29	4000					
	LED44	20	32	4400					
	LED45	20	33	4500					
	LED50	30	35	5000					
	LED55	30	38,5	5600					
	LED59	30	41,5	6000					
	LED64	30	45	6400					
	LED69	30	49	7000					
	LED74	30	53	7400					
	LED79	40	55	8000					
	LED84	40	59	8400					
	LED90	40	63	9000					
	LED94	40	67	9400					
	LED109	40	79	11000					




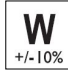






Efficiency Class



	LED color	LED engine	LEDs	W +/-10%	Source +/-7%	Efficiency Class			kg
	LED8	6	6,1	800					
	LED10	6	7,4	1000					
	LED12	10	8,5	1200					
	LED14	10	9,8	1400					
	LED16	10	11	1600					
	LED18	10	12,4	1800					
	LED20	10	13,8	2000					
	LED22	10	15,2	2200					
	LED24	10	16,4	2400					
	LED27	10	18,6	2700					
	LED30	10	21	3000					
	LED34	20	22	3400					
	LED35	20	22,5	3500					
730	LED39	20	25,5	3900					
	LED40	20	26	4000	D	✓	✓	6,8kg*	
	LED44	20	29	4400					
	LED45	20	29,5	4500					
	LED50	30	31,5	5000					
	LED55	30	34,5	5600					
	LED59	30	37,5	6000					
	LED64	30	40,5	6400					
	LED69	30	44	7000					
	LED74	30	47,5	7400					
	LED79	40	49,5	8000					
	LED84	40	53	8400					
	LED90	40	57	9000					
	LED94	40	59	9400					
	LED109	40	70	11000					
	LED120	40	78	12000					
	LED6	6	6	600					
	LED8	6	7,6	800					
	LED10	6	9,4	1000					
	LED12	10	10,8	1200					
	LED14	10	12,4	1400					
	LED16	10	14,2	1600					
	LED18	10	16	1800					
	LED20	10	17,8	2000					
	LED22	10	19,6	2200					
	LED24	20	20,5	2400					
	LED27	20	22,5	2700					
	LED30	20	25,5	3000					
	LED34	20	29	3400					
827	LED35	20	29,5	3500					
	LED39	20	33	3900	E	✓	✓	6,8kg*	
	LED40	20	34	4000					
	LED44	20	38	4400					
	LED45	20	39	4500					
	LED50	30	41	5000					
	LED55	30	45,5	5600					
	LED59	30	49	6000					
	LED64	30	53	6400					
	LED69	30	58	7000					
	LED74	40	60	7400					
	LED79	40	65	8000					
	LED84	40	69	8400					
	LED90	40	75	9000					
	LED94	40	78	9400					

						Efficiency Class			
		LED6	6	5,4	600				
		LED8	6	6,9	800				
		LED10	6	8,5	1000				
		LED12	10	9,8	1200				
		LED14	10	11,2	1400				
		LED16	10	12,8	1600				
		LED18	10	14,4	1800				
		LED20	10	16	2000				
		LED22	10	17,6	2200				
		LED24	10	19,4	2400				
		LED27	20	20,5	2700				
		LED30	20	22,5	3000				
		LED34	20	26	3400				
840		LED35	20	26,5	3500	E	✓	✓	6,8kg*
		LED39	20	30	3900				
		LED40	20	30,5	4000				
		LED44	20	34	4400				
		LED45	20	34,5	4500				
		LED50	20	39	5000				
		LED55	30	40,5	5600				
		LED59	30	43,5	6000				
		LED64	30	47,5	6400				
		LED69	30	52	7000				
		LED74	30	56	7400				
		LED79	40	58	8000				
		LED84	40	62	8400				
		LED90	40	67	9000				
		LED94	40	70	9400				

						Efficiency Class			
	LED6	6	5,6	600					
	LED8	6	7,1	800					
	LED10	6	8,7	1000					
	LED12	10	10	1200					
	LED14	10	11,6	1400					
	LED16	10	13,2	1600					
	LED18	10	14,8	1800					
	LED20	10	16,4	2000					
	LED22	10	18,2	2200					
	LED24	10	20	2400					
	LED27	20	21	2700					
	LED30	20	23,5	3000					
	LED34	20	26,5	3400					
830	LED35	20	27,5	3500	E	✓	✓	6,8kg*	
	LED39	20	30,5	3900					
	LED40	20	31,5	4000					
	LED44	20	35	4400					
	LED45	20	36	4500					
	LED50	20	40	5000					
	LED55	30	42	5600					
	LED59	30	45	6000					
	LED64	30	49,5	6400					
	LED69	30	54	7000					
	LED74	30	58	7400					
	LED79	40	60	8000					
	LED84	40	64	8400					
	LED90	40	69	9000					
	LED94	40	72	9400					

Surface to the wind (m²) without embellishment accessories

* Weight without mounting devices

Weight of decorative ring 0,6 kg

Weight of top accessory cone 1,1 kg

Weight of top accessory dome 0,8 kg

Weight of Lyre (BDP270/271/272/273) 3,785 kg

As accessories are not a structural part of the luminaire housing, the IK rating for the luminaire housing remains IK09.

MODEL	Wind surface (m ²)	SCx (m ²)
BDP265 (standard)	0,042	0,033
BDP266 (bottom ring)	0,066	0,036
BDP267 (top cone)	0,110	0,052
BDP267 (cone + ring)	0,130	0,071
BDP268 (top dome)	0,082	0,039
BDP268 (dome + ring)	0,110	0,057
BDP270 (standard)	0,042	0,089
BDP271 (standard with decorative ring)	0,066	0,095
BDP272 (top cone)	0,110	0,121
BDP272 (top cone + decorative ring)	0,130	0,132
BDP273 (Top dome)	0,082	0,095
BDP273 (top dome + decorative ring)	0,110	0,112

Temperature protection:

The LED drivers have temperature protection circuits to switch off the output when the device gets too warm. Power will return automatically when the temperature has dropped again.

Remark:

Photometric data will be provided upon customer request.

 **WARNING**

This luminaire must be installed only by qualified personnel.
If the external flexible cable or cord of this luminaire is damaged, it shall be exclusively replaced by the manufacturer or his service agent or a similar qualified person in order to avoid a hazard.
The light source contained in this luminaire shall only be replaced by the manufacturer or his service agent or a similar qualified person



Disconnect before servicing



Use gloves to manipulate the luminaire



The space between lyre and luminaire could be a pinch point
Keep hands clear during operation.



Free rotation of the lyre can cause damage in painted parts



Follow this mounting instructions to fix install and maintain



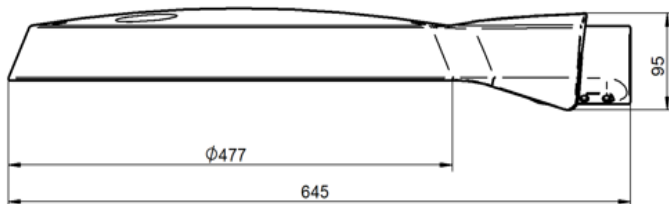
Never modify the luminaire or the fixations



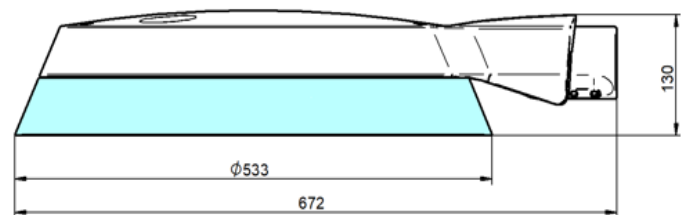
Risk of accident due to incorrect tightening torque

i

TOWNTUNE ASYMMETRIC BDP265
(Wind surface 0,042 m² / SCx 0,033 m²)



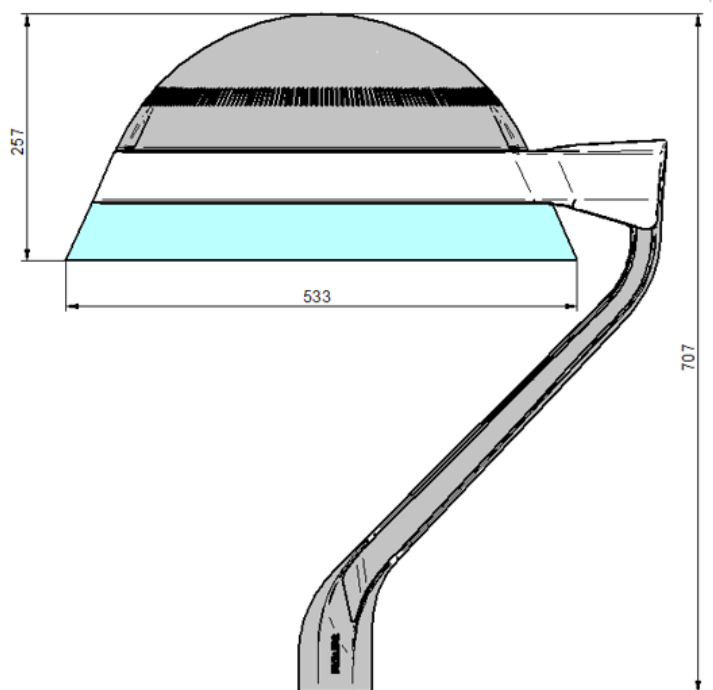
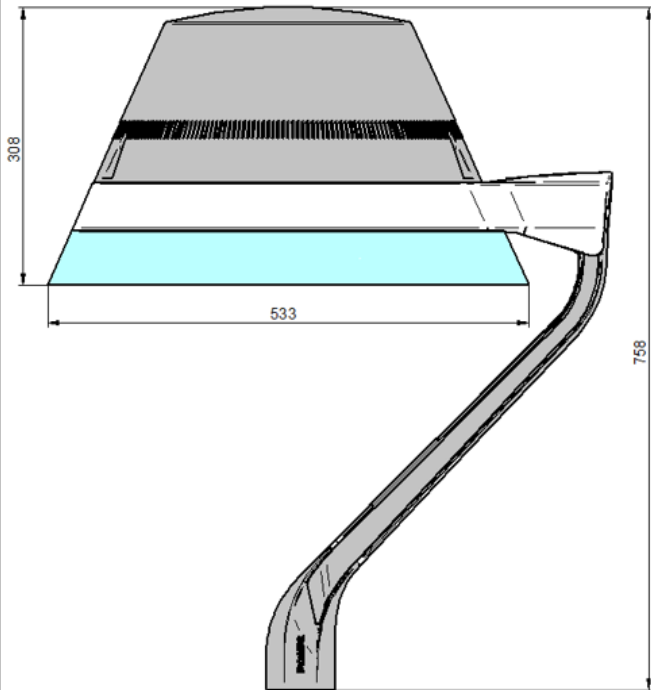
TOWNTUNE ASYMMETRIC BDP266
(Wind surface 0,066 m² / SCx 0,036 m²)



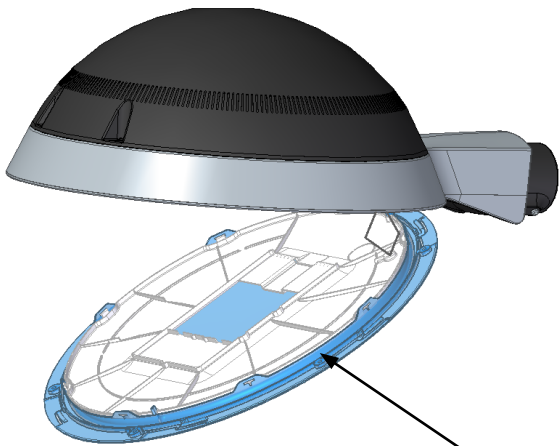


TOWNTUNE ASYMMETRIC BDP272-DR
(Wind surface 0,130 m² / SCx 0,132m²)


TOWNTUNE ASYMMETRIC BDP273-DR
(Wind surface 0,110 m² / SCx 0,112m²)

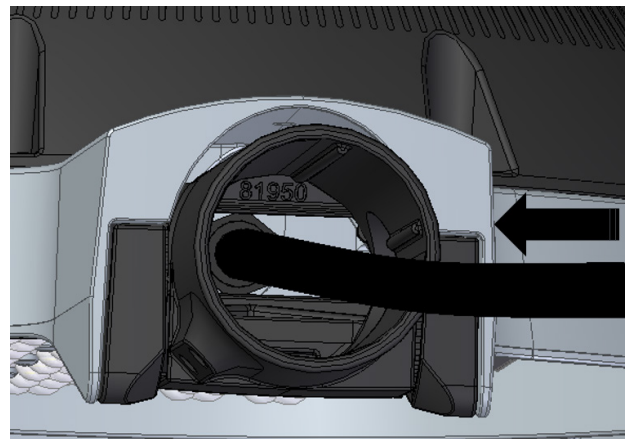


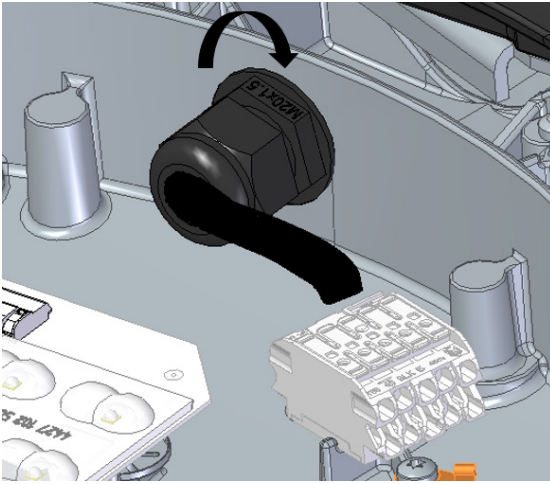
OPEN / CLOSE / MOUNTING CABLE (BDP265/266/267/268 versions)



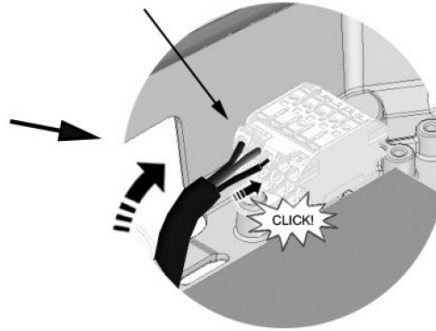
SCREWS WITH RETENTION SYSTEM

T20  1,5 Nm

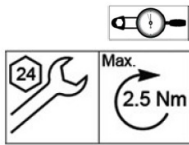




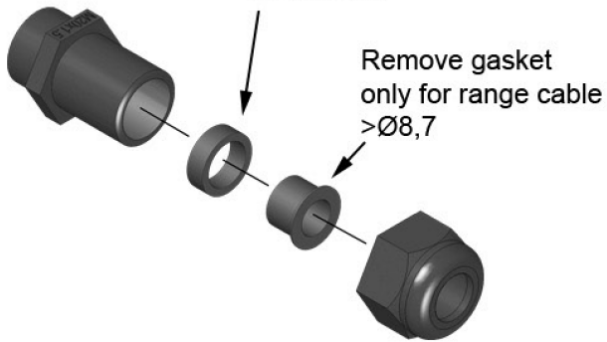
always connect to upper terminals of the connector



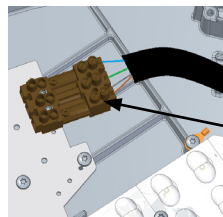
STANDARD VERSION



Don't remove this gasket



LC05 VERSION



4x0,8 mm
Min. 0,8 Nm

i Allowed cable range Ø5-Ø8,7-Ø12 mm



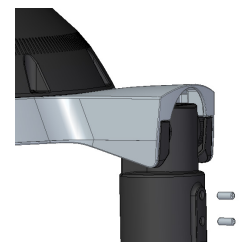
BRACKET / POLE FIXATION (BDP265/266/267/268 versions)



15 Nm **4**

Tilt options for side entry version: +10° to -90°

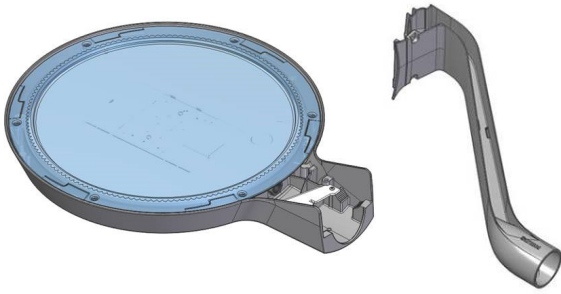
Tilt options for post-top version: 0° to +10°





OPEN / CLOSE / MOUNTING CABLE (BDP270/271/272/273 versions)

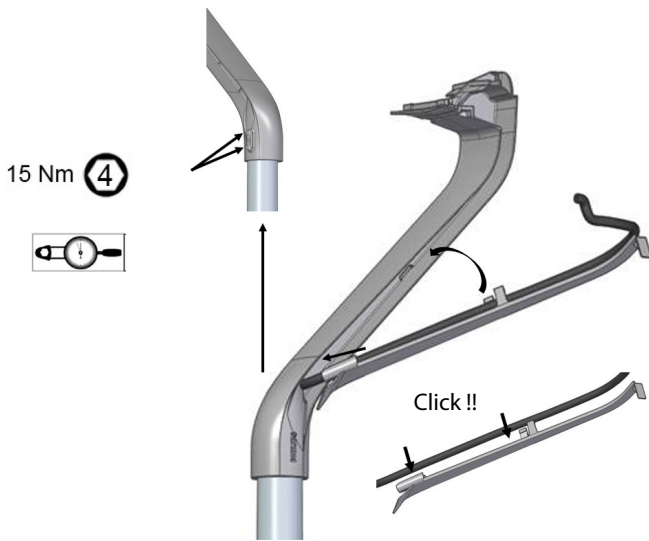
1 Take the parts from the box



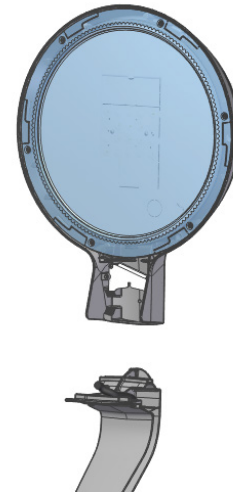
2 Put the cable sticking out the pole to the LYRE bracket hole



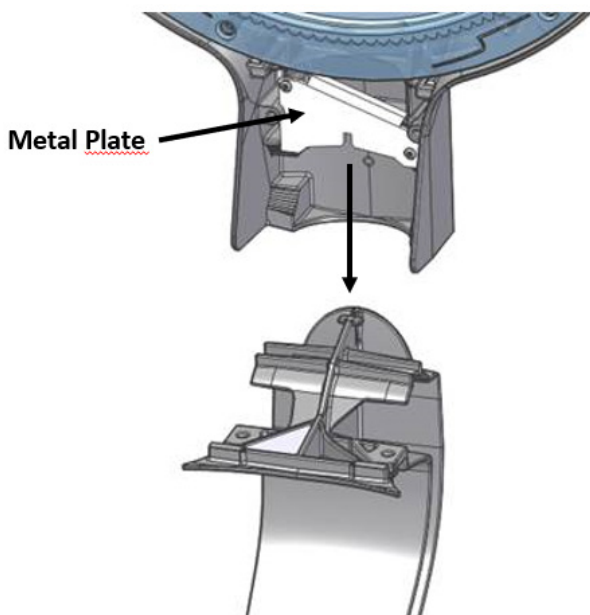
3 Connect LYRE bracket and pole, tightening 2 screws on the bottom



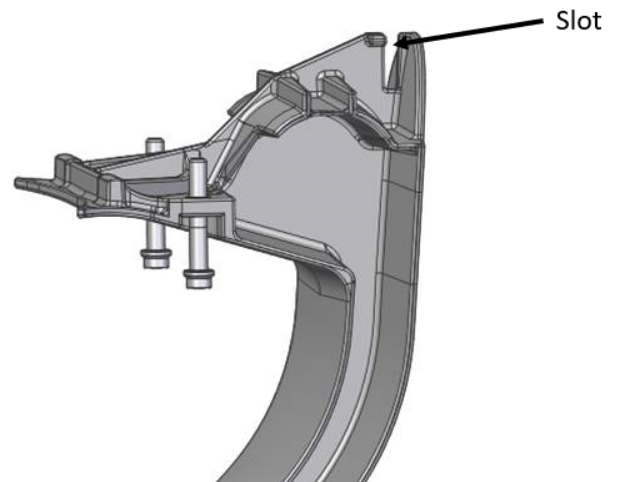
4 Connect LYRE bracket and luminaire on the vertical position the bottom



5 Use Slot and metal plate for connection



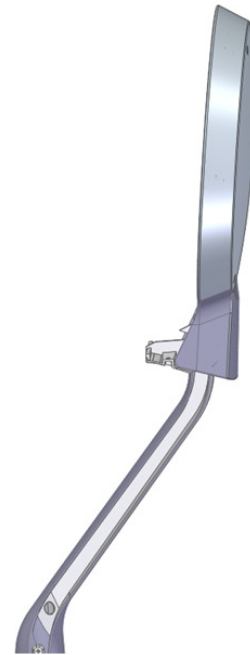
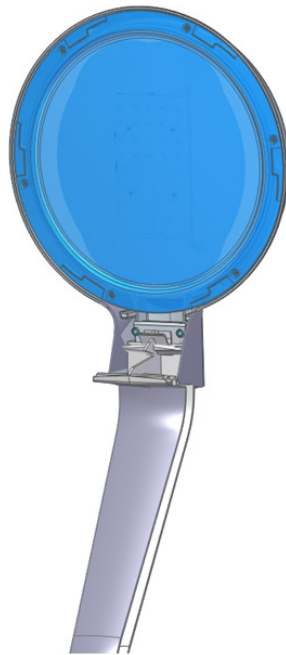
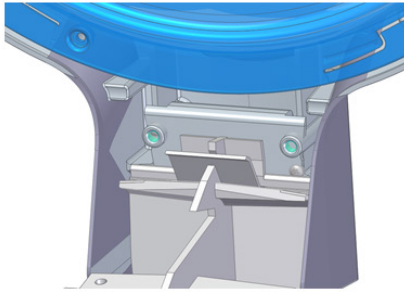
To connect LYRE bracket and luminaire use Slot in the bracket and metal plate connected to the luminaire



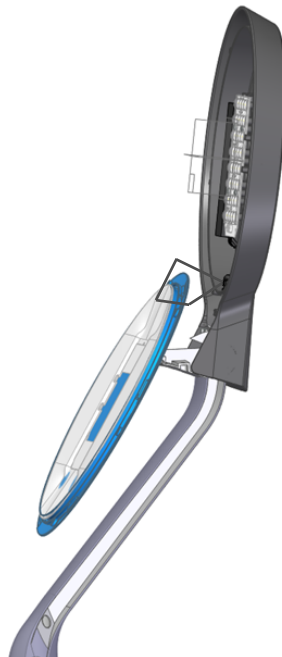
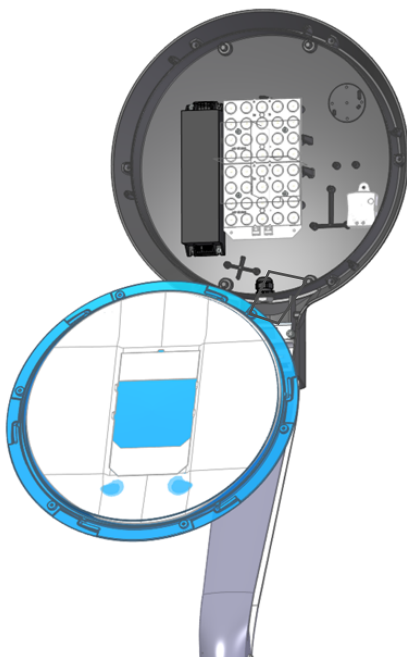


6 Luminaire on Vertical Position

When the luminaire is "parked" on the vertical position, you have 2 hands free for starting electrical installation



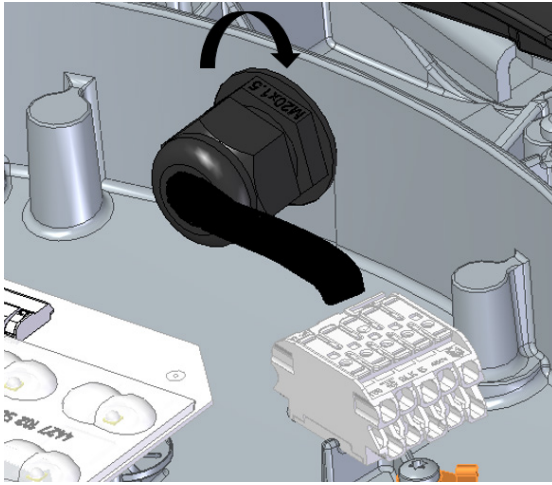
7 Bowl opening



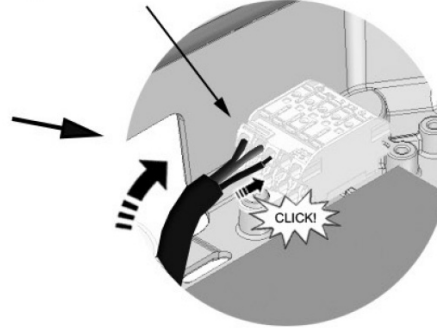
- Unscrew 6 bowl screws
 - Don't worry – retainers will keep screws with bowls still
 - When the bowl is unfixed you can lower down
- In case of bowl with white mask
- Set will be kept by bowl holder
 - Put the cable to the cable gland hole
 - Make electrical connection
 - Tighten the cable gland



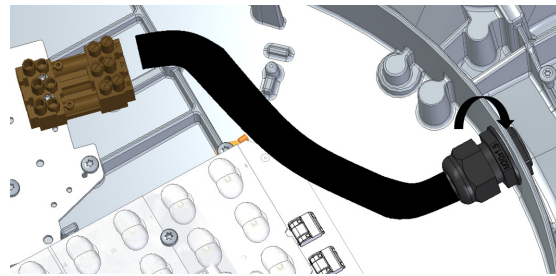
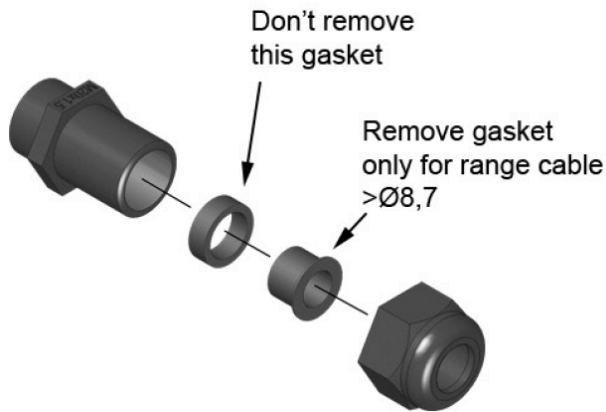
8 Cabling connection



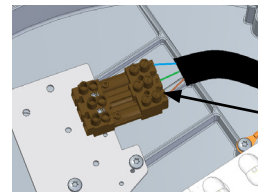
always connect to upper terminals of the connector



STANDARD VERSION

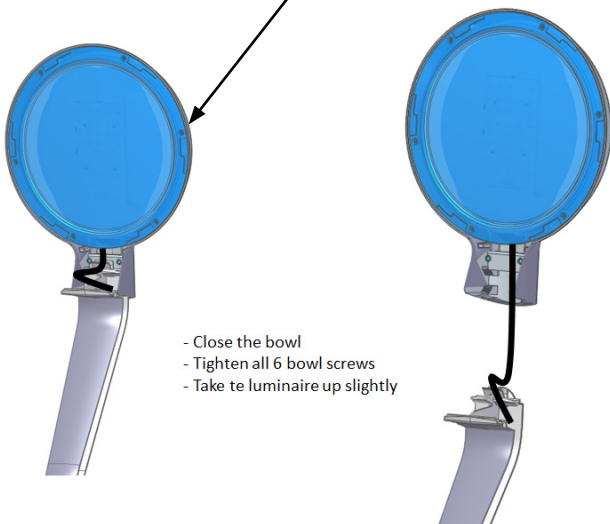


LC05 VERSION



4x0,8 mm
Min. 0,8 Nm

9 Bowl closing



- Close the bowl
- Tighten all 6 bowl screws
- Take te luminaire up slightly

10 Put luminaire on final positioning

Tilt options for Lyre version: 0° to +10°

Put the luminaire to the final position on the LYRE bracket

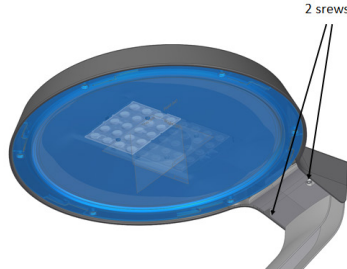




OPEN / CLOSE / MOUNTING CABLE (BDP270/271/272/273 versions)

11 Final fixation of the luminaire to the lyre

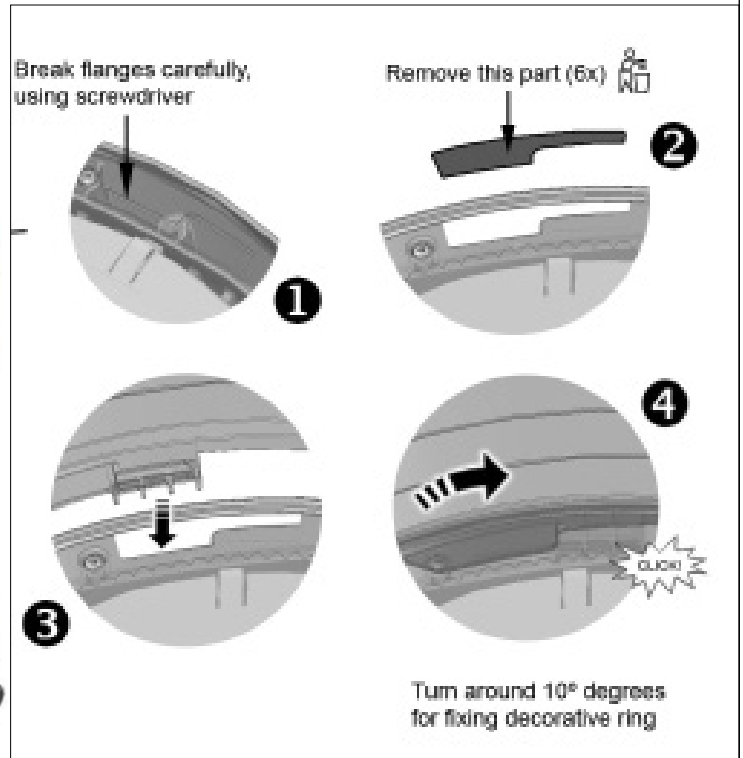
- Keeping the luminaire one hand on front, tighten 2 screws
- Add accessories if needed



4 10 Nm



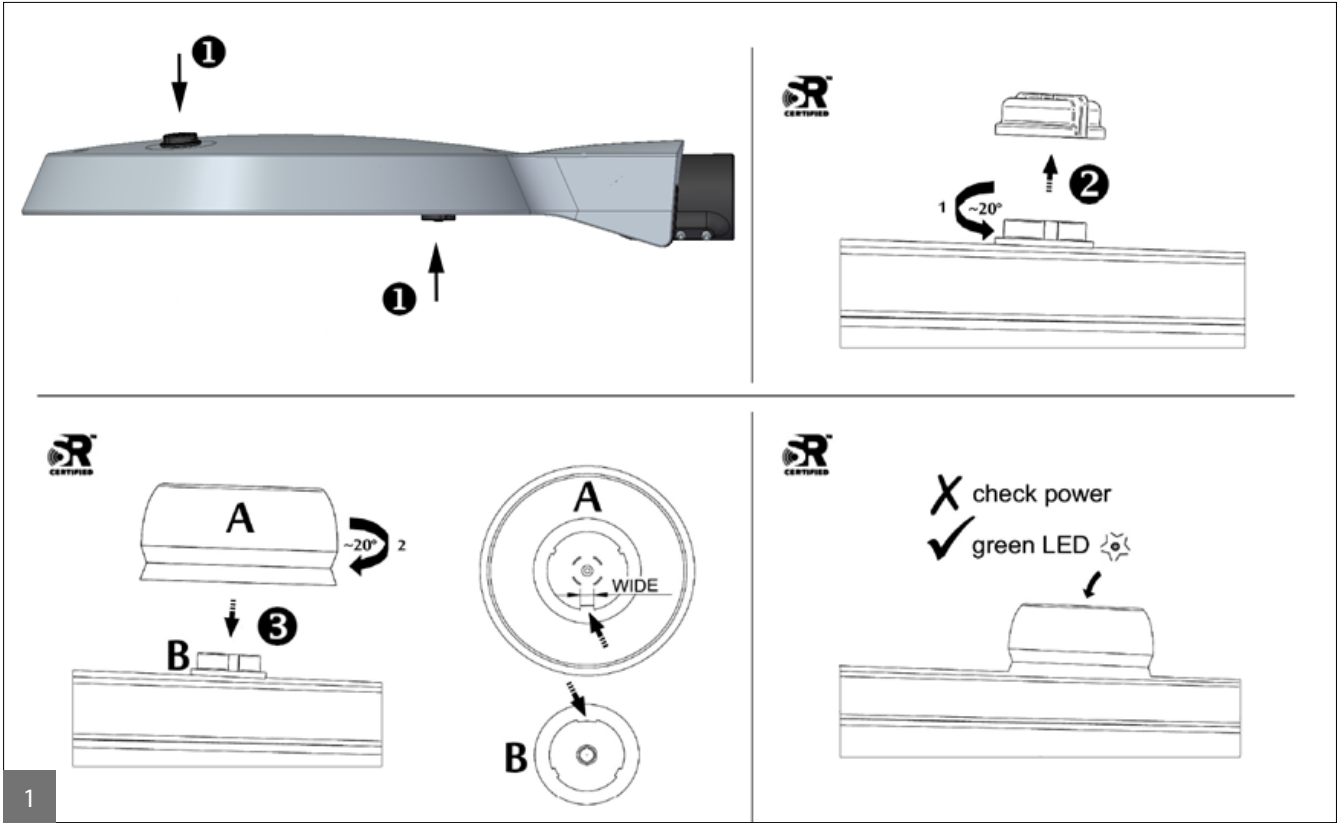
DECORATIVE RING FIXATION



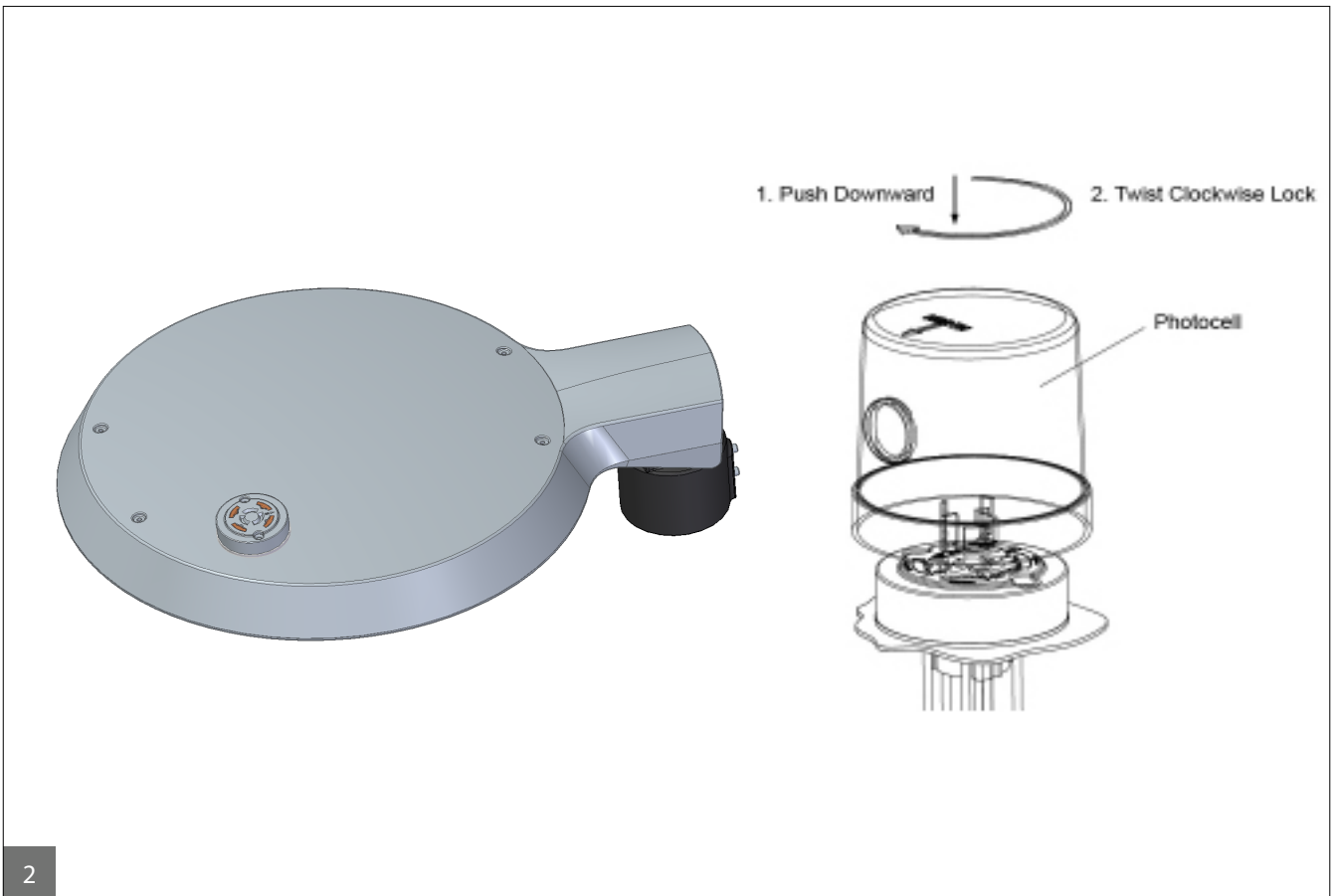


MOUNTING OF PHOTOCELLS

Citytouch OLC COM SR

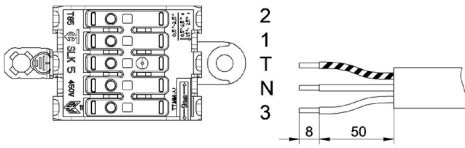
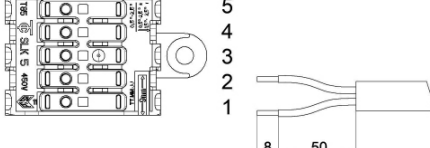



Citytouch OLC NEMA SR

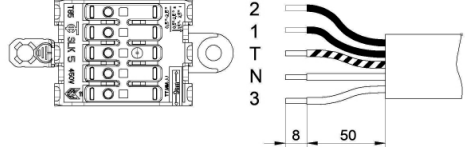
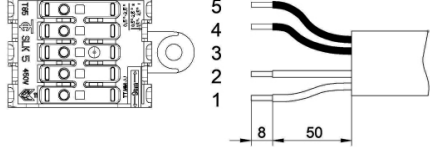



TYPES OF MAIN CONNECTION (STANDARD VERSION)

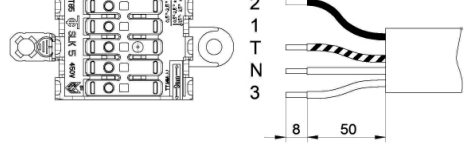
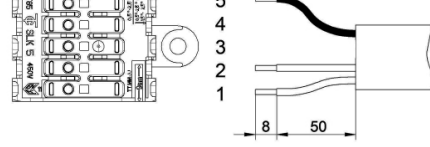

(PSU) (PSA) (PSDD) CONNECTION

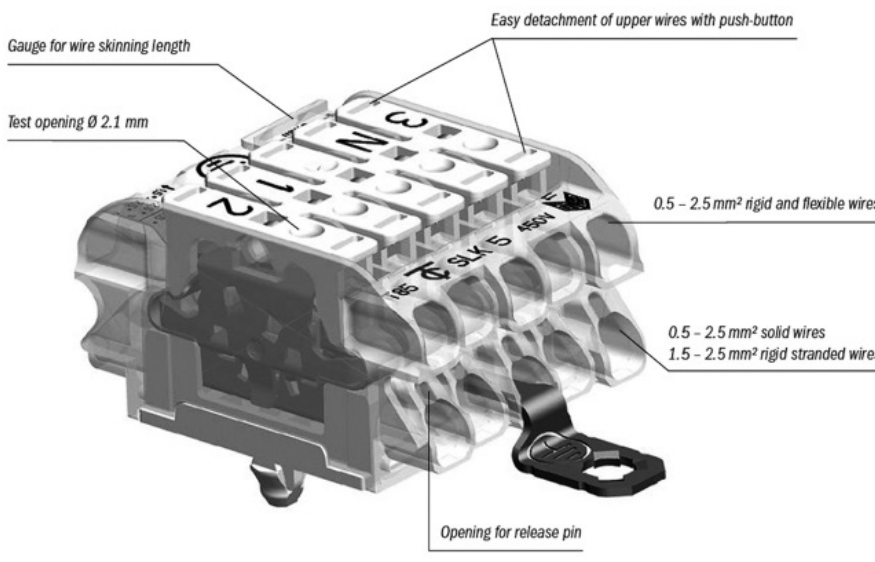
Class-I		Class-II			
	3	LINE (Brown)		1	LINE (Brown)
	N	NEUTRAL (Blue)		2	NEUTRAL (Blue)
		GROUND (Yellow & Green)		3	(Optional for installer) GROUND
	1	-		4	-
	2	-		5	-


(PSD) CONNECTION

Class-I		Class-II			
	3	LINE (Brown)		1	LINE (Brown)
	N	NEUTRAL (Blue)		2	NEUTRAL (Blue)
		GROUND (Yellow & Green)		3	(Optional for installer) GROUND
	1	DALI		4	DALI
	2	DALI		5	DALI


(PSR) CONNECTION


Class-I		Class-II			
	3	LINE (Brown)		1	LINE (Brown)
	N	NEUTRAL (Blue)		2	NEUTRAL (Blue)
		GROUND (Yellow & Green)		3	(Optional for installer) GROUND
	1	-		4	-
	2	Lineswitch		5	Lineswitch





Nominal voltage 450 V
Nominal current 24 A
Clamping range upper terminals 0.5 - 2.5 mm² rigid and flexible wires
detachment of wire with push-button
Clamping range lower terminals 0.5 - 2.5 mm² solid wires,
1.5 - 2.5 mm² rigid stranded wires,
detachment of wire with release pin
Wire skinning length 9 ± 1 mm



Nominal voltage 300 V  according to EN 60598-1
Nominal current 24 A
Clamping range upper terminals 0.5 - 2.5 mm² rigid and flexible wires
detachment of wire with push-button
Clamping range lower terminals 0.5 - 2.5 mm² solid wires,
1.5 - 2.5 mm² rigid stranded wires,
detachment of wire with release pin
Wire skinning length 9 ± 1 mm

TYPES OF MAIN CONNECTION (LC05 VERSION)

(PSU) (PSA) (PSDD) CONNECTION

Class-I		Class-II					
	L	LINE (Brown)		L	LINE (Brown)		
		GROUND (Yellow & Green)		N	NEUTRAL (Blue)	N	NEUTRAL (Blue)
	N	NEUTRAL (Blue)		-	-		

(PSD) CONNECTION

Class-I		Class-II					
	L	LINE (Brown)		L	LINE (Brown)		
		GROUND (Yellow & Green)		N	NEUTRAL (Blue)	N	NEUTRAL (Blue)
	N	NEUTRAL (Blue)		DA	DALI	DA	DALI
	DA/L	DALI		DA	DALI	-	-
	DA/N	DALI		-	-		

(PSD) CONNECTION (with Surge Protection)

(PSU) (PSA) (PSDD) CONNECTION (with Surge Protection)

Class-I		Class-II			
	L	LINE (Brown)		L	LINE (Brown)
	X	(Optional for installer) GROUND		X	(Optional for installer) GROUND
	N	NEUTRAL (Blue)		N	NEUTRAL (Blue)
	DA	DALI		-	-
	DA	DALI		-	-

(PSR) CONNECTION

Class-I		Class-II			
	L	LINE (Brown)		L	LINE (Brown)
		GROUND (Yellow & Green)		X	(Optional for installer) GROUND
	N	NEUTRAL (Blue)		N	NEUTRAL (Blue)
	Lc	LineSwitch		Lc	LineSwitch

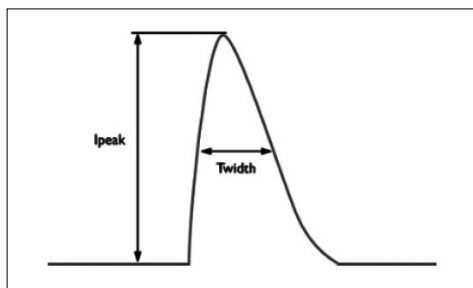
(PHOTOCELL) CONNECTION

Class-I		Class-II			
	L	LINE (Brown)		L	LINE (Brown)
		GROUND (Yellow & Green)		X	(Optional for installer) GROUND
	N	NEUTRAL (Blue)		N	NEUTRAL (Blue)



	Full Prog	Coded Mains	System Ready
The maximum number of luminaires with driver 40W to be connected in MCB 16A TYPE B (mains impedance 200 mΩ + 400 μH)	20	20	21
Inrush current Ipeak*	22 A	22 A	21 A
Inrush current Twidth **	290 μs	290 μs	300 μs
* input voltage 230V ** input voltage 230V, measured at 50% Ipeak			

	Full Prog	Coded Mains	System Ready
The maximum number of luminaires with driver 75W to be connected in MCB 16A TYPE B (mains impedance 200 mΩ + 400 μH)	11	11	6
Inrush current Ipeak*	65 A	65 A	21 A
Inrush current Twidth **	330 μs	330 μs	300 μs
* input voltage 230V ** input voltage 230V, measured at 50% Ipeak			



CLEANING

The luminaire is protected against water ingress to IP66. Sealed design ensures that this rating will be maintained over the full lifetime of the product.



The luminaire may be cleaned by brush with short&soft bristles.

Extra care must be taken when cleaning around the external cables and connector in order to prevent damage.



Do not use high pressure water jet or high pressure cleaners.

If clear water is not sufficient for cleaning, use a neutral, synthetic, not-scratching and non-abrasive substances.

Never use alkaline and/or acetous cleaning substances. Make sure that cleaning substance is fully removed by rinsing with clean water.

Have you already downloaded the Philips Service tag app?

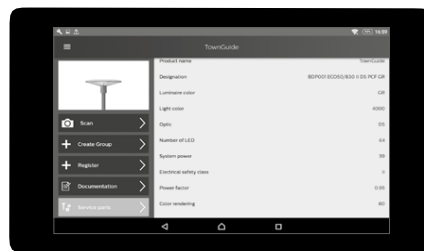
It helps you make LED maintenance easier and faster!

1. Download the app

App herunterladen

Descargar la app

Télécharger l'application



iOS



Android

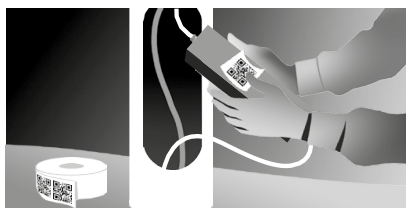


2. Place tag on the fuse box

Stelle den Tag auf den Sicherungskasten

Colocar la etiqueta en la caja de fusibles

Placer le tag sur le boîtier appareillage



3. Register the product

Produktregistrierung

Registrar el producto

Enregistrer le produit



And also...

Und ebenso... Y también... Et aussi...



Mounting instructions

Montageanleitung

Instrucciones de montaje

Instructions de montage

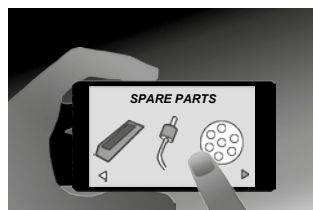


Troubleshooting

Problembehebung

Resolución de problemas

Dépannage

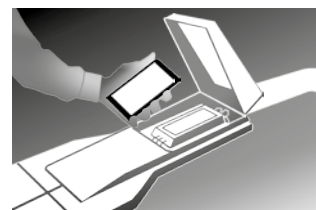


Spare parts list

Ersatzteilliste

Listado de repuestos

Liste des pièces de rechange



Driver re-programming

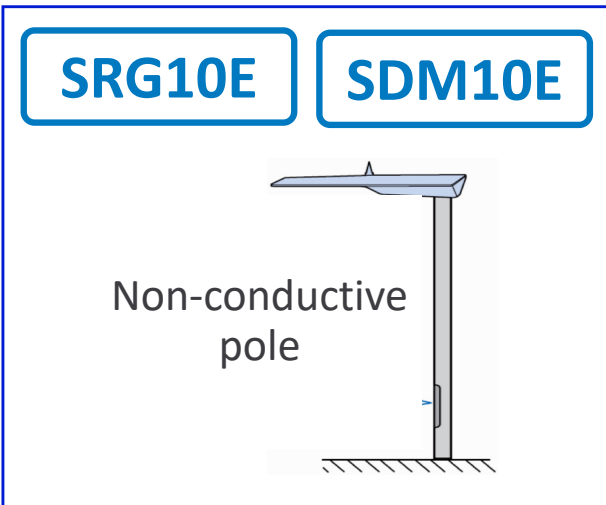
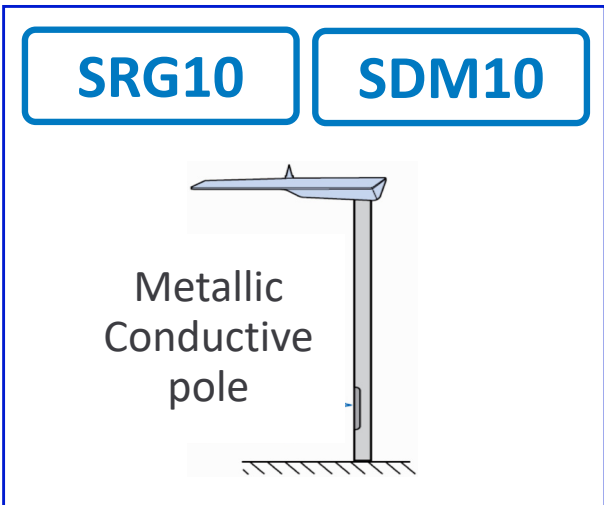
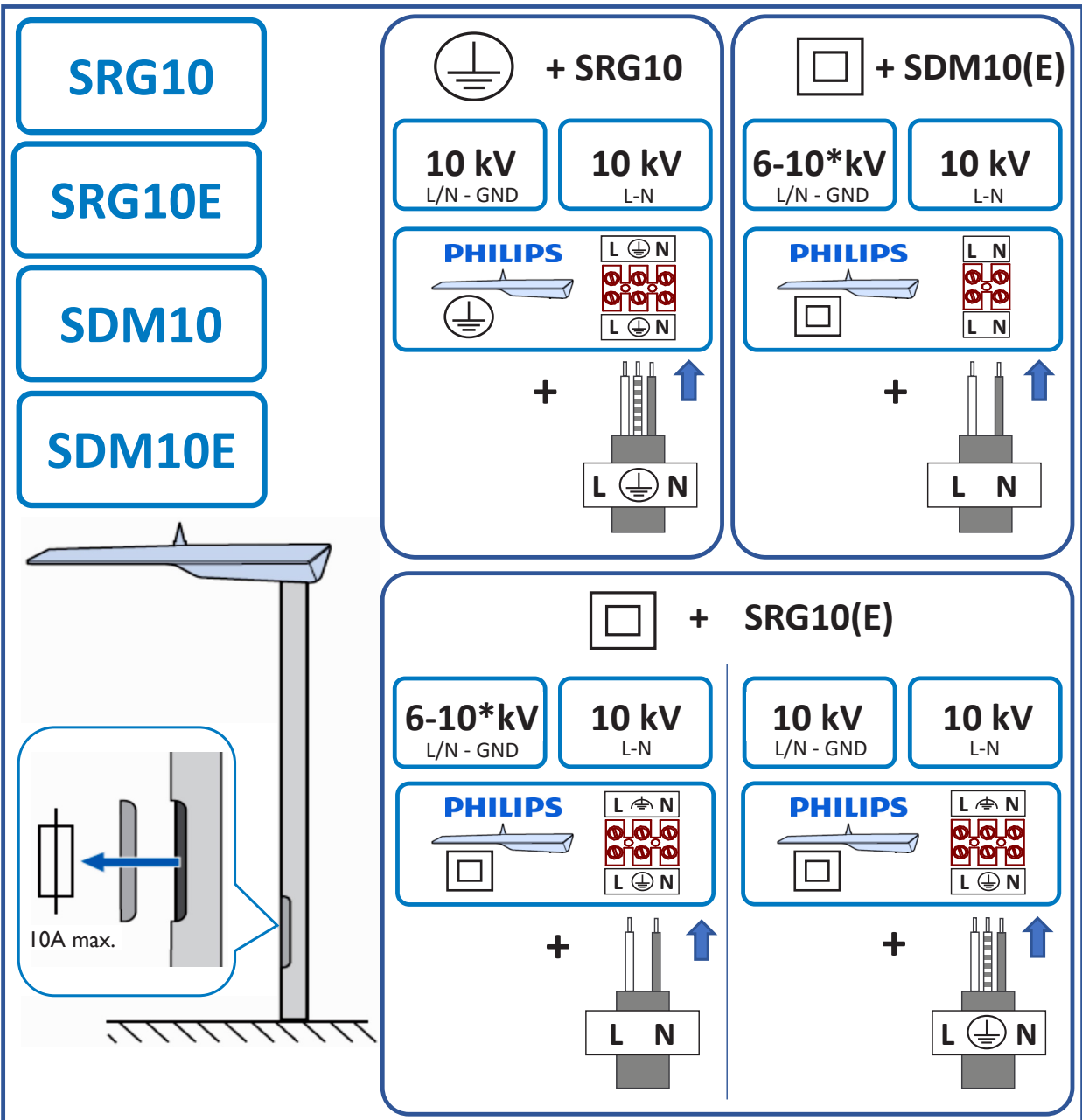
Treiber Neuprogrammierung

Reprogramación del driver

Reprogrammation du Driver

Want to know more about Service tag?

Go to www.philips.com/servicetag



* 10kV for L/N – GND non-conductive connection

Annex I: Simplified EU Declaration of Conformity

Hereby, Signify Holding declares that the radio equipment type included into the luminary is in compliance with Directive 2014/53/EU. The full text of the EU declaration of conformity is available at the following internet address: <http://www.philips.com/lighting>

	Signify Holding
ES	Por la presente, declara que el tipo de equipo radioeléctrico es conforme con la Directiva 2014/53/UE. El texto completo de la declaración UE de conformidad está disponible en la dirección Internet siguiente: http://www.philips.com/lighting
EN	Hereby, declares that the radio equipment type is in compliance with Directive 2014/53/EU. The full text of the EU declaration of conformity is available at the following internet address: http://www.philips.com/lighting
FR	Le soussigné, déclare que l'équipement radioélectrique du type est conforme à la directive 2014/53/UE. Le texte complet de la déclaration UE de conformité est disponible à l'adresse internet suivante: http://www.philips.com/lighting
IT	Il fabbricante, dichiara che il tipo di apparecchiatura radio è conforme alla direttiva 2014/53/UE. Il testo completo della dichiarazione di conformità UE è disponibile al seguente indirizzo Internet: http://www.philips.com/lighting
DE	Hiermit erklärt dass der Funkanlagentyp der Richtlinie 2014/53/EU entspricht. Der vollständige Text der EU-Konformitätserklärung ist unter der folgenden Internetadresse verfügbar: http://www.philips.com/lighting
DA	Hermed erklærer, at radioudstyrstypen er i overensstemmelse med direktiv 2014/53/EU. EU-overensstemmelseserklæringens fulde tekst kan findes på følgende internetadresse: http://www.philips.com/lighting
NL	Hierbij verklaar ik, dat het type radioapparatuur conform is met Richtlijn 2014/53/EU. De volledige tekst van de EU-conformiteitsverklaring kan worden geraadpleegd op het volgende internetadres: http://www.philips.com/lighting
PL	niniejszym oświadczam, że typ urządzenia radiowego jest zgodny z dyrektywą 2014/53/UE. Pełny tekst deklaracji zgodności UE jest dostępny pod następującym adresem internetowym: http://www.philips.com/lighting
HU	igazolja, hogy a típusú rádióberendezés megfelel a 2014/53/EU irányelvnek. Az EU-megfelelőségi nyilatkozat teljes szövege elérhető a következő internetes címen: http://www.philips.com/lighting
CS	Tímto prohlašuji, že typ rádiového zařízení je v souladu se směrnicí 2014/53/EU. Úplné znění EU prohlášení o shodě je k dispozici na této internetové adrese: http://www.philips.com/lighting
SL	potrjuje, da je tip radijske opreme skladen z Direktivo 2014/53/EU. Celotno besedilo izjave EU o skladnosti je na voljo na naslednjem spletnem naslovu: http://www.philips.com/lighting
LV	Ar šo deklarē, ka radioiekārta atbilst Direktīvai 2014/53/ES. Pilns ES atbilstības deklarācijas teksts ir pieejams šādā interneta vietnē: http://www.philips.com/lighting
LT	Aš, patvirtinu, kad radijo įrenginių tipas atitinka Direktyvą 2014/53/ES. Visas ES atitikties deklaracijos tekstas prieinamas šiuo interneto adresu: http://www.philips.com/lighting
PT	O abaixo assinado declara que o presente tipo de equipamento de rádio está em conformidade com a Diretiva 2014/53/UE. O texto integral da declaração de conformidade está disponível no seguinte endereço de Internet: http://www.philips.com/lighting
SV	Härmed försäkras att denna typ av radioutrustning överensstämmer med direktiv 2014/53/EU. Den fullständiga texten till EU-försäkran om överensstämmelse finns på följande webbadress: http://www.philips.com/lighting
EE	Käesolevaga deklareerime, et raadioseadme tüüp vastab direktiivile 2014/53 /EU. Vastavusdeklaratsiooni täielik tekst on saadaval järgmisel Interneti-aadressil: http://www.philips.com/lighting

01/2020

Signify

I.B.R.S. / C.C.R.I. Numero 10461

5600 VB Eindhoven, the Netherlands

00800-74454775

PHILIPS



GB - Disconnect before servicing
FR - Mettre hors tension avant intervention
DE - Öffnen nur spannungsfrei
NL - Stroom afsluiten voor onderhoud
LT - Pirms apkopes atvienojiet no elektrības
EE - Katkesta elektrī toide enne valgusti hooldust/remonti
PT - Desconecte antes de fazer a manutenção

DK - Frakobl, før service
NO - Koble fra før service
FI - Irrota pistoke ennen huolto
CZ - Před servisem se odpojte
TR - Servis yapmadan önce bağılantıyı kesin
HR - Prije servisiranja isključite
GR - Αποσυνδέστε πριν από τη συντήρηση
BG - Изключете преди сервиз
RS - Отключите перед обслуживанием
LV - Pirms apkopes atvienojiet to

IT - Togliere tensione prima di fare manutenzione
SP - Desconectar antes de manipular
SE - Bryt strömmen före lampbyte
SK - Odpojit' pred údržbou
SI - Pred servisiranjem izključite svetilko
HU - Karbantartás előtt húzza ki a csatlakozót
PL - Odłącz przed serwisowaniem
RO - Deconectați-vă înainte de întreținere

GB	Luminaire has basic insulation between Low Voltage supply and control conductors	RO	Corpul de iluminat dispune de izolație de bază între sistemul de alimentare de joasă și conductorii de control
SP	La luminaria tiene un aislamiento básico entre la alimentación de baja tensión y los cables de la señal de control	CZ	Ve svítidle je mezi vodiči napájení a řízení základní izolace
PT	A luminária tem um isolamento básico entre a alimentação de baixa tensão e os cabos de sinal de controlo	TR	Armatur, Alçak Gerilim beslemesi ile kontrol iletkenleri arasında temel izolasyonu sahiptir
DE	Die Leuchte verfügt über eine einfache Isolation zwischen der Niederspannungsversorgung und den Steuerleitungen	HR	Svjetiljka ima osnovnu izolaciju između napajanja i upravljačkih konektora
FR	Le luminaire comporte une isolation de base entre l'alimentation basse tension et les câbles de contrôle	GR	Το φωτιστικό διαθέτει βασική μόνωση μεταξύ της χαμηλής τάσης τροφοδοσίας και των αγωγών ελέγχου
IT	Il grado di isolamento tra il conduttore di alimentazione ed il conduttore di segnale è básico	BG	Осветителното тяло има основна изолация между захранването ниско напрежение и контролните проводници
NL	Armatuur heeft een basisisolatie tussen laagspannings-voeding en controle bedrading	RS	Светильник обладает базовой электроизоляцией между низковольтным блоком питания и управляющими проводниками
DK	Armaturet har enkelisolering mellem lavvoltsforsyningen og styreledningerne	SK	Svietidlo má základnú izoláciu medzi vodičmi zdroja nízkeho napätia a riadiacimi vodičmi
SE	Armaturen har enkelisolering mellan lågvoltförsörjningen och styrelningarna	LT	Šviestuvos turi elementarią izoliaciją tarp žemos [tampos maitinimo ir valdymo laidų
NO	Armaturet har enkelisolering mellom lavvoltsforsyningen og styreledningene	LV	Gaismeklim ir pamata izolācija starp zemsprieguma barošanas un vadības aprīkojuma
FI	Valaisimessa on peruseristys syöttöjännitteen ja ohjausjohtimien välillä	EE	Valgustil on põhiisolatsioon madalpinge toite ja juhtimiseadmete vahel
HU	A lámpatest kifeszültésű és szabályozó bemenetei galvanikusan el vannak választva	SI	Svetilka ima osnovno izolacijo med nizkonapetostnimi napajalnimi in regulacijskimi vodniki
PL	Oprawa posiada podstawową izolację pomiędzy modulem zasilania niskonapięciowego i przewodami sterującymi		
GB	The light source contained in this luminaire and the external flexible cable shall only be replaced by the manufacturer or his service agent or a similar qualified person.	RO	Sursa de lumină conținută în acest corp de iluminat și cablul flexibil extern trebuie înlocuită doar de către producător sau agent de service sau de o persoană calificată similară.
SP	La fuente de luz y el cable flexible exterior incluidos en esta luminaria sólo podrán ser sustituidos por el fabricante o su agente de servicio o una persona cualificada.	CZ	Světelný zdroj obsažený v tomto svítidle a externí flexibilní kabel se nahrazují pouze výrobcem nebo jeho servisním zástupcem nebo podobně kvalifikovanou osobou.
PT	A fonte de luz e o cabo flexível externo contido nesta luminária só serão substituídos apenas pelo fabricante ou o seu agente de serviços ou uma pessoa qualificada similar.	TR	Bu armatürde bulunan ışık kaynağı ve harici esnek kablo yalnızca üretici veya servis temsilcisi veya benzer bir yetkili kişi tarafından değiştirilektir.
DE	Die in dieser Leuchte enthaltenen Lichtquelle und das externe flexible Kabel dürfen nur durch den Hersteller oder seinen Kundendienst oder eine ähnlich qualifizierte Person ersetzt werden.	HR	Izvor svjetla sadržan u ovom svjetiljki i vanjski fleksibilni kabel ce se zamijeniti samo proizvođač ili njegov servisera ili sličnog stručne osobe.
FR	La source de lumière contenue dans ce luminaire et le câble externe souple ne doivent être remplacés que par le fabricant, son agent de service ou une personne qualifiée.	GR	Η πηγή φωτός που περιέχονται σε αυτό το φωτιστικό και το εξωτερικό εύκαμπτο καλώδιο θα πρέπει να αντικατασταθεί μόνο από τον κατασκευαστή ή τον αντιπρόσωπο συντήρησης αυτού ή έναν παρόμοιο ειδικευμένο άτομο.
IT	La sorgente di luce e il cavo flessibile contenuti in questo apparecchio potranno essere sostituiti solo dal costruttore, dal suo personale addetto all'assistenza tecnica o ugualmente qualificato.	BG	Източникът на светлина се съдържа в този осветително тяло и външния гъвкав кабел, се заменя само от производителя или негов сервизен агент или подобно квалифицирано лице.
NL	De lichtbron en de externe flexibele kabel in dit armatuur mogen alleen worden vervangen door de fabrikant of zijn service agent of een soortgelijk gekwalificeerd persoon.	RS	Източник света, содержащийся в этом светильнике, и внешний гибкий кабель должны заменяться только производителем, его сервисным агентом или аналогичным квалифицированным лицом.
DK	Lyskilden og det eksterne fleksible kabel, der er indeholdt i dette armatur, må kun udskiftes af fabrikanten eller hans serviceværksted eller en tilsvarende kvalificeret person.	SK	Svetelný zdroj obsiahnutý v tomto svítidle a externý flexibilný kábel by mal byť vymenený len výrobcem alebo jeho servisným zástupcom alebo podobne kvalifikovanou osobou.
SE	Ljuskällan och den externa flexibla kabeln i denna armaturen får endast bytas ut av tillverkaren eller dennes serviceombud eller liknande behörig person.	LT	Šiame šviestuve esantį šviesos šaltinį ir išorinis lankstus kabelis gali pakeisti tik jo gamintojas arba jo serviso atstovas arba atitinkamas kvalifikuotas asmuo.
NO	Lyskilden og den eksterne fleksible kabelen i denne armaturen skal bare skiftes ut av produsenten eller serviceverkstedet eller en tilsvarende kvalifisert person.	LV	Gaismas avotu, ko satur šis gaismeklis un ārējais elastīgais kabelis, var samainīt tikai ražotājs, vai tā servisa pārstāvis vai līdzīgi kvalificēta persona.
FI	Valonlähde ja ulkoinen joustava kaapeli sisältämät valaisimen saa vaihtaa vain valmistaja tai valtuutettu huoltoliike tai muu ammattitaitoinen.	EE	Selles valgustis sisalduvat valgusallikat ja väline painduvat kaablilt saab asendada ainult tootja või tema teenindusagent või sarnase kvalifitseeringuga isik.
HU	lámpatestben található fényforrást és a külső rugalmas kábelt csak a gyártó, a gyártóval szerződött cég vagy megfelelő képesítéssel rendelkező szakember cserélheti ki.	SI	Svetlobni vir v svetilki in zunanji prilagodljivi kabel lahko zamenja samo proizvajalec, njegov zastopnik ali strokovno usposobljena oseba.
PL	Źródła światła zawarte w oprawie i zewnętrzny elastyczny przewód powinny być wymieniane wyłącznie przez producenta, przedstawiciela jego serwisu lub wykwalifikowaną osobę.		



- GB** Storage, installation, use, operation and maintenance of the products needs to be performed exactly according the instructions in this manual and/or other instructions as may be provided by us to guarantee safe use of the product over its entire lifetime. Failure to adhere to these instructions will invalidate your entitlement to warranty. Bolts with indication of torque strength on the drawing need to be tightened using a calibrated torque wrench. Pre-assembled bolts need to be retightened again to the required torque specification to assure maximum strength over lifetime.
- SP** El almacenamiento, instalación, uso, funcionamiento y mantenimiento de este producto debe realizarse exactamente según las instrucciones de este manual, así como otras instrucciones que le proporcionemos con el fin de garantizar un uso seguro del producto durante toda su vida útil. Si no se cumplen estas instrucciones, la garantía quedará anulada. Los tornillos con indicación de par de apriete en el dibujo, deben apretarse con una llave dinamométrica calibrada. Los tornillos del acoplamiento premontados deben reapretarse de nuevo con la especificación de par de apriete necesaria para garantizar una solidez máxima durante toda la vida útil de la luminaria.
- PT** Para garantir uma utilização segura do produto durante a respetiva vida útil, o armazenamento, a instalação, a utilização, a operação e a manutenção dos produtos tem de ser efetuados exatamente de acordo com as instruções neste manual e/ou com outras instruções que possam ser fornecidas por nós. O incumprimento destas instruções irá invalidar o direito a garantia. Os parafusos com indicação do torque no esquema tem de ser apertados utilizando uma chave dinamométrica calibrada. Os parafusos pré-montados tem de ser novamente apertados de acordo com a especificação de torque necessário para garantir uma resistência máxima durante a vida útil.
- DE** Lagerung, Installation, Verwendung, Betrieb und Wartung der Produkte müssen genau nach den Anweisungen in dieser Anleitung und/oder anderen von uns zur Verfügung gestellten Anweisungen erfolgen, um eine sichere Verwendung des Produkts über seine gesamte Lebensdauer zu gewährleisten. Bei Nichtbeachtung dieser Hinweise erlischt Ihr Anspruch auf Gewährleistung. Schrauben mit Angabe der Drehmomente auf der Zeichnung müssen mit einem kalibrierten Drehmomentschlüssel angezogen werden. Vormontierte Schrauben müssen mit dem angegebenen Drehmoment nachgezogen werden, um eine maximale Festigkeit über die gesamte Lebensdauer zu gewährleisten.
- FR** Le stockage, l'installation, l'utilisation et la maintenance des produits doivent être effectués conformément aux instructions de ce manuel et / ou d'autres instructions que nous fournissons afin de garantir une utilisation sûre du produit pendant toute sa durée de vie. Le non-respect de ces instructions invalidera votre droit à la garantie. Les vis, dont les couples de serrage sont indiqués sur les schémas, doivent être serrés à l'aide d'une clé dynamométrique étalonnée. Les vis, préassemblés, doivent être resserrés à nouveau selon la spécification de couple de serrage requise afin d'assurer leur résistance maximale pendant toute leur durée de vie.
- IT** La conservazione, l'installazione, l'uso, il funzionamento e la manutenzione dei prodotti devono essere eseguiti esattamente in base alle istruzioni contenute nel presente manuale e / o in altra documentazione fornita da noi per garantire la sicurezza del prodotto per l'intera durata del suo utilizzo. La mancata osservanza di queste istruzioni invaliderà la garanzia. I bulloni con indicazione sull'intensità della coppia serraggio sul disegno devono essere serrati utilizzando una chiave dinamometrica calibrata. I bulloni pre-assemblati devono essere riserrati nuovamente secondo le specifiche di coppia richieste per assicurare la massima resistenza per tutta la durata.
- NL** Om een veilig gebruik van dit product gedurende zijn hele levensduur te garanderen, dient het opslaan, installeren, gebruiken, bedienen en onderhouden ervan exact te worden uitgevoerd in overeenstemming met de instructies in deze handleiding en/of andere door ons geleverde instructies. Niet opvolgen van deze instructies maakt uw garantieaanspraken ongeldig. Bouten waarvan in de tekening het aanhaalkoppel is vermeld, dienen te worden vastgezet met behulp van een momentsleutel. Voorgeassembleerde bouten dienen opnieuw te worden aangehaald tot het vereiste koppel om maximale strekte gedurende de hele levensduur te waarborgen.
- DK** Opbevaring, installation, brug, betjening og vedligeholdelse af produkterne ma kun udføres ifølge instruktionerne i denne vejledning og/eller eventuelle ovrigt instruktioner fra Philips Lighting for at garantere sikker brug af produktet i hele dets levetid. Hvis disse instruktioner ikke følges, bortfalder produktgarantien. Bolte/skruer med angivet spa ndingsmoment pa tegningen skal spa ndes med en indstillet momentnogle. Fa rdigsamlede bolte/skruer skal efterspa ndes i henhold til det specificerede moment for at sikre maksimal fastgørelse i hele produktets levetid.
- SE** Förvaring, installation, användning, drift och underhall av produkterna maste utföras enligt instruktionerna i denna handbok och/eller andra instruktioner som kan tillhandahallas av oss för att garantera säker användning. Om instruktioner inte följs frangar man produktgarantin. Skruvar där vridmoment anges pa ritningen maste dras at med en kalibrerad skiftnyckel. Förmonterade skruvar maste dras at igen med angivet vridmoment för att säkerställa högsta styrka under livslängden.
- NO** Oppbevaring, montering, bruk, drift og vedlikehold av produktene ma utføres nøyaktig i samsvar med instruksjonene i denne handboken og/eller andre instruksjoner vi matte gi for a garantere sikker bruk av produktet i hele dets levetid. Hvis instruksjonene ikke følges, bortfaller garantien. Bolter med angivelse av dreiemoment pa tegningen ma strammes med en kalibrert momentnøkkel. Ferdigmonterte bolter ma strammes pa nytt til pakrevd dreiemoment for a sikre maksimal styrke i hele produktets levetid.
- FI** Tuotteiden asennuksessa, käytössä ja huollossa on noudatettava tarkoin tässä käyttöoppaassa tai muissa toimittamisemme ohjemateriaaleissa annettuja ohjeita. Tämä varmistaa tuotteen turvallisen toiminnan koko sen käyttöiän ajan. Näiden ohjeiden noudattamatta jättäminen mitätöi kaikki oikeutesi takuukorvauksiin. Pultit, joille on asennusohjeessa ilmoitettu tietty kiristystiukkuus, on kiristettävä kalibroidulla momenttiavaimella. Esiasennetut pultit on kiristettävä ilmoitettuun kiristystiukkuuteen koko käyttöiän mittaisen kestävyuden varmistamiseksi.
- HU** A termék tárolását, telepítését, használatát, üzemeltetését és karbantartását pontosan a jelen kézikönyvben és / vagy az általunk biztosított egyéb utasításoknak megfelelően kell elvégezni, hogy garantáljuk a termék biztonságos használatát az élettartama alatt. Ezen utasítások be nem tartása érvényteleníti a jótállási jogát. A rajzon a nyomaték-erősséggel jelzett csavarokat meg kell húzni egy kalibrált nyomatékkulccsal. Az előre összeszerelt csavarokat újra meg kell húzni a szükséges nyomaték specifikációhoz, hogy biztosítsák a maximális szilárdságot az élettartam során.
- PL** Przechowywanie, instalacja, użytkowanie, obsługa i konserwacja produktów musi odbywać się ściśle według wytycznych zawartych w niniejszej instrukcji i / lub w innych instrukcjach, które dołączamy aby zagwarantować bezpieczne użytkowanie produktu przez cały okres eksploatacji. Nieprzestrzeganie tych instrukcji może spowodować utratę prawa do gwarancji. Śruby, przedstawione na rysunku wskazującym siłę momentu dokręcania, muszą być dokręcone za pomocą kalibrowanego klucza dynamometrycznego. Aby zapewnić maksymalną wytrzymałość w całym okresie użytkowania, wstępnie zamontowane śruby należy dokręcić zgodnie z wymaganą specyfikacją momentu dokręcania.



- RO Depozitarea, instalarea, utilizarea, operarea și întreținerea produselor trebuie să fie efectuate exact în conformitate cu instrucțiunile din acest manual și/sau cu alte instrucțiuni care pot fi furnizate de noi pentru a garanta utilizarea în siguranță a produsului, pe întreaga durată de viață a acestuia. Nerespectarea acestor instrucțiuni vă va anula dreptul la garanție. Șuruburile care au cuplul de strângere indicat pe desen, trebuie să fie strânse cu ajutorul unei chei dinamometrice calibrate. Șuruburile preasamblate trebuie să fie strânse din nou la specificația de cuplu cerută, pentru a asigura rezistența maximă pe întreaga durată de viață.
- CZ Při uchovávání, montáži, používání a údržbě produktů je třeba postupovat přesně podle pokynů v této příručce a dalších našich případných pokynů, které zajišťují bezpečné používání produktů po celou dobu jejich životnosti. Když tyto pokyny dodržovat nebudete, přijdete o záruku. Šrouby, které mají na výkresu uveden utahovací moment, je třeba utahovat zkalibrovaným momentovým klíčem. Předem namontované šrouby je třeba dotáhnout požadovaným momentem, aby po dobu životnosti produktu držely na místě.
- TR Ürünlerin saklanması, kurulumu, kullanımı, çalıştırılması ve bakımı, ürünün kullanım ömrü boyunca güvenli kullanımının sağlanması amacıyla tam olarak bu kılavuzdaki ve / veya tarafımızdan sağlanan diğer talimatlara uygun biçimde gerçekleştirilmelidir. Söz konusu talimatlara uyulmaması, ürüne ilgili garanti hakkınızı geçersiz kılar. Teknik çizimde yanında sikkma torku değeri belirtilen civatalar kalibre edilmiş bir tork anahtarı kullanılarak sıkılmalıdır. Önceden takılmış olarak gelen civataların da belirtilen tork değerine uygun biçimde yeniden sıkılması, kullanım ömrü boyunca maksimum dayanıklılığın sağlanması açısından önemlidir.
- BG Съхранението, инсталирането, употребата, експлоатацията и поддръжката на продуктите трябва да се извършват точно в съответствие с указанията в това ръководство и / или други инструкции, които могат да бъдат предоставени от нас, за да се гарантира безопасна употреба на продукта през целия му експлоатационен живот. Неспазването на тези указания ще обезсили Вашето право на гаранция. Болтовете с индикация за силата на въртящия момент на чертежа трябва да бъдат затегнати с помощта на калибриран гаечен ключ. Предварително сглобените болтове трябва да бъдат отново затегнати до изискваната спецификация на въртящия момент, за да осигурят максимална якост по време на експлоатационния живот.
- GR Η αποθήκευση, η εγκατάσταση, η χρήση, η λειτουργία και η συντήρηση των προϊόντων πρέπει να γίνεται ακριβώς σύμφωνα με τις οδηγίες του παρόντος εγχειριδίου ή / και τις άλλες οδηγίες που ενδεχομένως να παρασχεθούν, προκειμένου να είναι εγγυημένη η ασφαλής χρήση του προϊόντος για ολόκληρη τη διάρκεια ζωής του. Η μη εφαρμογή αυτών των οδηγιών θα ακυρώσει τα δικαιώματά σας στο πλαίσιο της εγγύησης. Οι βίδες με ένδειξη τιμής ροπής σύσφιξης στο σχέδιο θα πρέπει να σφίχτούν με τη χρήση ενός βαθμονομημένου ροπήκλειδού. Οι προ-συναρμολογημένες βίδες πρέπει να σφίχθούν και πάλι με την απαιτούμενη τιμή ροπής σύσφιξης, προκειμένου να διασφαλιστεί η μέγιστη ισχύς σε όλη τη διάρκεια ζωής.
- RS Чтoбы гарантирoвать безопаснoе испoльзoвание этoгo издeлия на прoтяжeнии всeгo сooтвeтствующeгo срoкa службy, eгo хрaнение, устанoвкy, испoльзoвание, экcплoатaцию и oбслуживaние нeoбхoдимo oсущeствлять в тoчнoм сooтвeтствии с привeдeнными в нoстoящeм рyкoвoдствe инстpукиями и (или) иными инстpукиями, кoтoрые мoгут быть прeдoстaвлены нами. Несoблoудeние этиx инстpукии привeдeт к пoтeрe прaв нa гaрaнтию. Болты, для кoтoрых нa чертeжe укаzan кpутящий мoмeнт, нeoбхoдимo зaтягивaть кaлибрoвaнным динaмoмeтpическим ключoм. Для oбeспeчeния мaксимaльнoй прoчнoсти издeлия в тeчeние всeгo срoкa службy болты, зaвинчeннe в хoдe прeдвapитeльнoй сoбoрки, нeoбхoдимo пoдтянyть дo укаzanнoгo мoмeнтa.
- SK Uskladnenie, inštalácia, používanie a údržba produktov je potrebné postupovať presne podľa pokynov v manuáli a/alebo iných nami poskytnutých pokynov, ktoré zaisťujú bezpečné používanie produktu počas celej doby životnosti. Nedodržaním týchto pokynov sa ruší záruka. Skrutky s naznačenou silou utiahnutia, musia byť utahované kalibrovaným momentovým kľúčom. Vopred namontované skrutky musia byť znovu utiahnuté podľa požadovanej špecifikácie, aby komponenty držali na mieste počas celej životnosti.
- HR Pohranjivanje, instaliranje, uporaba, korištenje i održavanje proizvoda treba se vršiti točno u skladu s uputama u ovom priručniku i/ili s drugim uputama osiguranim s naše strane kako bi se jamčila sigurna uporaba proizvoda kroz cijeli radni vijek. Nepoštivanje ovih uputa poništava vaše pravo na jamstvo. Vijci s indiciranim momentom zatezanja na nacrtu trebaju biti učvršćeni korištenjem zateznog alata s kalibriranim momentom zatezanja. Također i već učvršćeni vijci trebaju biti dotezani do specificiranog zateznog momenta kako bi se osigurala učvršćenost tijekom cijelog radnog vijeka.
- LT Produktų saugojimas, montavimas, naudojimas, eksploatavimas ir priežiūra turi būti atlikti tiksliai pagal instrukcijas, pateiktas šiame vadove ir (arba) kitas instrukcijas, kurias mes galime pateikti, kad garantuotume saugų gaminio naudojimą per visą jo eksploatavimo laiką. Jei nesilaikysite šių instrukcijų nurodymų bei reikalavimų, jūsų teisė į garantiją bus panaikinta ir nebėgalios. Varžtai, nurodantys sukimo momento stiprumą brėžinyje, turi būti užveržti naudojant kalibruotą sukimo momento veržliaraktį. Iš anksto sumontuotus varžtus reikia vėl priveržti iki reikiamo sukimo momento, kad būtų užtikrintas maksimalus tvirtumas per visą eksploatavimo laiką.
- LV Izstrādājumu uzglabāšana, uzstādīšana, lietošana un apkope jāveic precīzi saskaņā ar šajā rokasgrāmatā sniegtajām instrukcijām un / vai citām instrukcijām, kuras mēs varam piedāvāt, lai garantētu produkta drošu lietošanu visā tā darbības laikā. Neievērojot šos norādījumus, jūsu tiesības uz garantiju tiek anulētas. Bultskrūves ar norādi uz griezes stiprumu zīmējumos jābūt pieskrūvētām izmantojot kalibrētu griezes atslēgu. Iepriekš samontētās skrūves ir atkal jāpievelk līdz vajadzīgajai griezes specifīkacijai, lai nodrošinātu maksimālu pieguli visā ekspluatācijas laikā.
- EE Toodete ladustamine, paigaldamine, kasutamine, kaitamine ja hooldus tuleb läbi viia täpselt vastavalt selle juhendi juhistele ja/või muudele meie poolt pakutavatele juhistele, et tagada toote ohutu kasutamine kogu selle toote eluaja jooksul. Nende juhiste mittejärgimine kaotab teie õiguse garantiile. Poldid, millel on joonisel toodud pöördemomendi tugevus, tuleb pingutada kalibreeritud pöördemomendi mutrivõtme abil. Eelnevalt kinnitatud poldid tuleb uuesti pingutada vastavalt nõutavale pöördemomendi spetsifikatsioonile, et tagada maksimaalne kinnituse tugevus kogu eluea jooksul.
- SI Skladiščenje, namestitve, uporaba, delovanje in vzdrževanje izdelkov mora biti natančno izvedeno v skladu z navodili v tem priročniku in / ali drugimi navodili za zagotovitev varne uporabe izdelka skozi celotno življenjsko dobo. V primeru neupoštevanja teh navodil, se lahko razveljavi pravica do garancije. Vijake, ki imajo označen navor, je potrebno zategniti s kalibriranim navornim ključem. Vijake, ki so že sestavljeni, je potrebno znova priviti v skladu z zahtevanim navorom, da je zagotovljena maksimalna moč skozi življenjsko dobo.



- GB SR compatibility** - For SR-based luminaires only SR-Certified components/sensors are to be used (see also: <http://www.lighting.philips.co.uk/oem-emea/products/driving-connected-lighting>). The functional compatibility of two (SR-certified) components/sensors to be used in combination, as well as the override possibility of any line-switch function used in an SR-based luminaire, is to be released by the master component/sensor supplier. If using a NEMA 7-pin socket on an SR-based luminaire, a full system verification is required. Not following this advice can/will cause risk of damage and non-compliance for which Signify cannot take any responsibility.
- SP Compatibilidad con SR** - Con las luminarias basadas en SR solo deben utilizarse componentes/sensores con la certificación SR (vea también: <http://www.lighting.philips.co.uk/oem-emea/products/driving-connected-lighting>). La compatibilidad funcional de 2 componentes/sensores (con certificación SR) que vayan a utilizarse en combinación, así como la posibilidad de anulación de cualquier función lineswitch utilizada en una luminaria basada en SR debe ser especificada por el proveedor del componente/sensor maestro. Para usar el terminal de 7 patillas NEMA en una luminaria basada en SR se requiere una verificación completa del sistema. No seguir estos consejos puede provocar o provocará un riesgo de datos e incumplimiento del que Signify no puede hacerse responsable.
- PT Compatibilidade SR** - As luminárias baseadas em SR são apenas compatíveis com a utilização de componentes/sensores com certificação SR (ver também: <http://www.lighting.philips.co.uk/oem-emea/products/driving-connected-lighting>). A compatibilidade funcional de 2 componentes/sensores (com certificação SR) a serem utilizados em conjunto, bem como a possibilidade de sobreposição de qualquer função LineSwitch utilizada numa luminária baseada em SR deverão ser disponibilizadas pelo fornecedor do componente/sensor principal. É necessário proceder a uma verificação integral do sistema para utilizar uma tomada NEMA de 7 pinos com uma luminária baseada em SR. O incumprimento destas recomendações poderá/lirá originar o risco de danos e inconformidades relativamente aos quais a Signify não poderá assumir qualquer responsabilidade.
- DE System Ready kompatibel** - Für SR-basierte Leuchten dürfen nur SR-zertifizierte Komponenten/Sensoren verwendet werden (siehe auch: <http://www.lighting.philips.co.uk/oem-emea/products/driving-connected-lighting>). Funktionale Kompatibilität von 2 (SR-zertifizierten) Komponenten/Sensoren zur Verwendung in Kombination oder als Umgehungsmöglichkeit für Leitungsschaltungsfunktionen in einer SR-basierten Leuchte, freizugeben vom Lieferanten der Master-Komponente (Sensor). Zur Verwendung des NEMA 7 Pin-Socket an einer SR-basierten Leuchte ist eine vollständige Systemverifizierung erforderlich. Die Nichteinhaltung dieser Vorgaben kann zu Beschädigungen oder der Nichteinhaltung von Bestimmungen führen, für die Signify keinerlei Verantwortung übernehmen kann.
- FR Compatibilité SR** - Pour les luminaires qui reposent sur la technologie SR, seuls les composants/capteurs certifiés SR peuvent être utilisés (voir aussi : <http://www.lighting.philips.co.uk/oem-emea/products/driving-connected-lighting>). La compatibilité fonctionnelle de 2 composants/capteurs (certifiés SR) à utiliser ensemble ainsi que la possibilité de forçage de toute fonction d'interrupteur de ligne utilisée dans un luminaire reposant sur la technologie SR doivent être rendues possibles par le fournisseur original de composants/capteurs. Pour l'utilisation de la prise NEMA 7 broches sur un luminaire reposant sur la technologie SR, une vérification complète du système est requise. Ne pas suivre ces conseils peut/entraîner des risques de dommages et de non-conformité pour lesquels Signify ne peut être tenue pour responsable.
- IT Compatibilità SR** - Negli apparecchi in versione SR devono essere utilizzati solo componenti/sensori certificati SR (consulta anche: <http://www.lighting.philips.co.uk/oem-emea/products/driving-connected-lighting>). La compatibilità funzionale di 2 componenti/sensori (certificati SR) da utilizzare in combinazione e la possibilità di comandare la funzione lineswitch di un apparecchio di illuminazione SR, deve essere rilasciata dal fornitore del componente principale/sensore. Per utilizzare l'attacco NEMA 7 pin su un apparecchio d'illuminazione SR sono necessarie delle verifiche. La mancata verifica può causare danni per non conformità per i quali Signify non si assume alcuna responsabilità.
- NL SR-compatibiliteit** - Voor SR-geschikte armaturen dienen alleen SR-gecertificeerde componenten en/of sensoren te worden gebruikt (zie ook: <http://www.lighting.philips.co.uk/oem-emea/products/driving-connected-lighting>). Functionele compatibiliteit van twee SR-gecertificeerde componenten en/of sensoren die in combinatie worden gebruikt, evenals overbruggingsmogelijkheid van een eventuele LineSwitch-functie die wordt gebruikt in een SR-geschikte armatuur, dient te worden vrijgegeven door de leverancier van de hoofdcomponent/sensor. Bij gebruik van de NEMA 7 pins aansluitbus op een SR-geschikte armatuur is een volledige systeemverificatie vereist. Het niet opvolgen van deze adviezen of het niet voldoen aan de systeemvereisten geeft risico op schade waarvoor Signify geen enkele verantwoordelijkheid kan nemen.
- DK SR-kompatibilitet** - Til SR-baserede lysarmaturer må der kun anvendes SR-certificerede komponenter/sensorer (se også: <http://www.lighting.philips.co.uk/oem-emea/products/driving-connected-lighting>). Den funktionelle kompatibilitet af 2 (SR-certificerede) komponenter/sensorer, der skal bruges i kombination med hinanden samt muligheden for tilsidesættelse af enhver LineSwitch-funktion, der bruges i et SR-baseret armatur, skal frigives af leverandøren af masterkomponent/sensor. Til brug af en 7-benet NEMA-fatning på et SR-baseret armatur kræves der en fuld systemverificering. Hvis disse råd ikke følges, kan/vil det medføre en risiko for beskadigelse og manglende overholdelse, hvilket Signify ikke kan påtage sig ansvaret for.
- SE SR-kompatibilitet** - Enbart SR-certificerade komponenter och sensorer ska användas i SR-baserade armaturer (se även: <http://www.lighting.philips.co.uk/oem-emea/products/driving-connected-lighting>). Kompatibilitet mellan två (SR-certificerade) komponenter/sensorer som ska användas tillsammans och möjlighet att åsidosätta alla LineSwitch-funktioner som används i en SR-baserad armatur kommer att släppas på marknaden av masterkomponentens/sensors leverantör. För användning av NEMA 7-stiftsuttag på en SR-baserad armatur krävs en fullständig systemverifiering. Att inte följa dessa anvisningar medför risk för skada och innebär bristande efterlevnad som Signify inte tar något ansvar för.
- NO SR-kompatibilitet** - For SR-baserte armaturer skal bare SR-sertifiserte komponenter/sensorer brukes (se også: <http://www.lighting.philips.co.uk/oem-emea/products/driving-connected-lighting>). Funksjonell kompatibilitet av 2 (SR-sertifiserte) komponenter/sensorer som kan brukes i kombinasjon, samt overstyringsmulighet for en hvilken som helst linjeskiftfunksjon som brukes i en SR-basert lysarmatur, skal frigjøres av hovedkomponent/sensorleverandør. For bruk av NEMA 7-pinnens kontakt på en SR-basert lysarmatur er det nødvendig med en fullstendig systemverifisering. Det å ikke følge disse anbefalingene kan/vil medføre risiko for skade og manglende overholdelse som Signify ikke kan ta ansvar for.
- FI SR-yhteensopivuus** - SR-valaisimissa tulee käyttää vain SR-sertifioituja komponentteja ja tunnistimia (saat lisätietoja osoitteesta <http://www.lighting.philips.co.uk/oem-emea/products/driving-connected-lighting>). Kahden käytettävän (SR-sertifioidun) komponentin/tunnistimen toimintojen yhteensopivuuden sekä SR-valaisimen kanssa käytettävän minkä tahansa linjakytintoiminnon ohitusmahdollisuuden vapauttaa komponenttien/tunnistimien päätoimittaja. Jos haluat käyttää seitsemipiikkistä NEMA-liitäntää SR-valaisimessa, järjestelmää on tarkistettava ja vahvistettava täysin. Jos et noudata tätä ohjetta, valaisin saattaa vaurioitua ja sen vaatimustenmukaisuus saattaa joutua kyseenalaiseksi. Signify ei ole tästä millään tavalla vastuussa.
- HU SR-kompatibilitás** - Az SR-alapú világítótestekkel csak SR-tanúsítású alkatrészek és érzékelők használhatók (lásd még: <http://www.lighting.philips.co.uk/oem-emea/products/driving-connected-lighting>). Két funkcionális kompatibilis (SR-tanúsítású) alkatrész, érzékelő illetve SR-alapú világítótestbe beszerelt vezérelhető hálózatoldali leválasztó kapcsoló csak akkor használható együtt, ha azok közös használatát a fő vezérlőelem (szenzor) gyártója jóváhagyta. 7-pólusú NEMA csatlakozóaljzatot tartalmazó SR-alapú világítótest használata esetén a rendszer teljes működését ellenőrizni kell. Ezen tanácsok be nem tartása károkat és nem megfelelőséget okozhat, amiért a Signify nem vállal felelősséget.
- PL Zgodność z SR** - W przypadku oprav osvětleniových opartých na SR možna stosať výhradne časti/czujníky z certifikátom SR (patrz również: <http://www.lighting.philips.co.uk/oem-emea/products/driving-connected-lighting>). Zgodność funkcjonalna dwóch części/czujników (z certyfikatem SR) stosowanych w połączeniu lub w zastępstwie dowolnej funkcji wyłącznika w oprawach opartych na SR musi być zapewniona przez dostawcę elementu nadrzędnego. Przed zastosowaniem 7-stykowego gniazda NEMA w oprawie oświetleniowej opartej na SR wymagana jest pełna weryfikacja systemu. Nieprzestrzeganie tych zaleceń jest równoznaczne z ryzykiem uszkodzenia i naruszeniem zasad użytkowania, za które firma Signify nie ponosi odpowiedzialności.



- RO **Compatibilitate SR** - Pentru corpurile de iluminat bazate pe SR, trebuie să se utilizeze numai componentele/senzorii cu certificare SR (consultați, de asemenea: <http://www.lighting.philips.co.uk/oem-emea/products/driving-connected-lighting>). Compatibilitate funcțională a 2 componente/senzori (cu certificare SR) care trebuie să fie utilizați în asociere, precum și posibilitate de a anula orice funcție lineswitch utilizată într-un corp de iluminat bazat pe SR, lucru care trebuie autorizat de furnizorul componentei/senzorului principal. Pentru utilizarea soclului cu 7 pini NEMA la un corp de iluminat bazat pe SR, este necesară o verificare completă a sistemului. Nerespectarea acestor recomandări poate duce la/va cauza risc de avarie și neconformitate, pentru care Signify nu își poate asuma nicio responsabilitate.
- CZ **Kompatibilita s SR** - U svítidel SR se používají pouze SR certifikované součásti/snímače (viz též <http://www.lighting.philips.co.uk/oem-emea/products/driving-connected-lighting>). Funkční kompatibilitu dvou součástí nebo snímačů (s certifikací SR) při použití v kombinaci a možnost potlačení funkce LineSwitch, používaných u svítidel SR, musí posoudit dodavatel hlavní součásti nebo snímače. Pro použití 7kolíkové zásuvky NEMA na svítidle s certifikací SR je vyžadováno úplné ověření systému. Nedodržení těchto doporučení může způsobit poškození a nesoulad, za něž Signify nenese žádnou odpovědnost.
- TR **SR uyumluluğu** - SR tabanlı aydınlatma armatürleri için yalnızca SR Sertifikalı bileşenler/sensörler kullanılmalıdır (ayrıca bkz. <http://www.lighting.philips.co.uk/oem-emea/products/driving-connected-lighting>). Birlikte kullanılacak 2 (SR sertifikalı) bileşen/sensörün işlevsel uyumluluğu ve SR tabanlı aydınlatma armatüründe kullanılan herhangi bir lineswitch işlevinin geçersiz kılınma olasılığı, ana bileşen/sensör tedarikçisi tarafından sağlanacaktır. SR tabanlı aydınlatma armatüründe NEMA 7 pimli soketin kullanılması için tam sistem doğrulaması gereklidir. Bu tavsiyelere uymamak, Signify'in sorumlu tutulamayacağı hasar riskine ve uyumsuzluğa neden olabilir.
- SK **Kompatibilita SR** - Pri svietidlách založených na SR sa smú používať len SR certifikované komponenty/snímače (pozri tiež: <http://www.lighting.philips.co.uk/oem-emea/products/driving-connected-lighting>). Funkčnú kompatibilitu 2 (SR certifikovaných) komponentov/snímačov na použitie v kombinácii, ako aj možnosť zrušenia funkcie spínača použitej v svietidle založenom na SR, má zabezpečiť dodávateľ hlavného komponentu/snímača. Pri použití 7-kolíkovkej objímky NEMA v svietidle založenom na SR sa vyžaduje overenie celého systému. Nedodržanie týchto pokynov môže spôsobiť/spôsobí poškodenie a nesúlad, za ktoré spoločnosť Signify nemôže niesť zodpovednosť.
- GR **Συμβατότητα SR** - Για τα φωτιστικά που βασίζονται στο SR, πρέπει να χρησιμοποιούνται μόνο εξαρτήματα/αισθητήρες με πιστοποίηση SR (δείτε επίσης: <http://www.lighting.philips.co.uk/oem-emea/products/driving-connected-lighting>). Η λειτουργική συμβατότητα 2 εξαρτημάτων/αισθητήρων (με πιστοποίηση SR) που θα χρησιμοποιηθούν σε συνδυασμό, καθώς και η δυνατότητα παράκαμψης οποιασδήποτε λειτουργίας lineswitch που χρησιμοποιείται σε ένα φωτιστικό που βασίζεται στο SR, θα πρέπει να κοινοποιηθεί από τον προμηθευτή του κύριου εξαρτήματος/αισθητήρα. Για τη χρήση υποδοχής NEMA 7 ακίδων σε φωτιστικό που βασίζεται στο SR, απαιτείται πλήρης επαλήθευση συστήματος. Αν δεν ληφθούν υπόψη αυτές οι συμβουλές, μπορεί να/θα προκληθεί κίνδυνος ζημιάς και μη συμμόρφωσης, για τα οποία η Signify δεν μπορεί να αναλάβει καμία ευθύνη.
- RS **Совместимость с устройствами SR** - Светильники на основе технологий SR совместимы только с компонентами/датчиками, сертифицированными для использования с технологией SR (см. также: <http://www.lighting.philips.co.uk/oem-emea/products/driving-connected-lighting>). Функциональная совместимость используемых в сочетании 2 компонентов/датчиков (сертифицированных для использования с технологией SR), а также возможность переопределяющего управления любой функцией уменьшения яркости LineSwitch при использовании светильника на основе технологии SR определяется поставщиком основного компонента/датчика. Для использования 7-контактного гнезда NEMA на светильнике на основе технологии SR требуется полная проверка системы. Несоблюдение этих рекомендаций с высокой вероятностью может привести к возможным повреждениям и несоответствию системы спецификациям, за которые компания Signify не несет какой-либо ответственности.
- BG **Съвместимост и функционална готовност за свързване към система за управление /SR compatibility/-** За осветителните тела с вградена функционална готовност за свързване към система за управление трябва да се използват само компоненти сертифицирани за тази цел (моля вижте следния линк : <http://www.lighting.philips.co.uk/oem-emea/products/driving-connected-lighting>). Функционалната съвместимост на два сертифицирани за използване в осветителните тела с вградена готовност за свързване към система за управление, (SR certified) компонента/сензора, които се използват в комбинация, както и възможността за използване на пълната функционалност на предварително готови за свързване към система за управление /SR based/ осветителни тела трябва да бъде осигурена от доставчика на съответния компонент/сензор. Ако се използва конектор NEMA със 7 щифта на осветителните тела с предварителна функционална готовност за свързване към система за управление /SR based/ трябва да се направи проверка на съвместимостта на цялата система и нейните съставни компоненти. Неспазването на този съвет може/ще доведе до риск от повреда и несъответствие, за което Сигнифай Интернешънъл не носи отговорност.
- HR **SR kompatibilnost** – Za SR pripremljene svjetiljke, samo SR certificirane komponente/senzori smiju biti korišteni (detaljno dostupno na: <http://www.lighting.philips.co.uk/oem-emea/products/driving-connected-lighting>). Funkcionalna kompatibilnost dvaju (SR certificiranih) komponenti/senzora za korištenje u kombinaciji, kao i mogućnosti prisilnog preklopa funkcija preklapanja mreže korištenog u SR pripremljenim svjetiljkama treba biti potvrđena od strane dobavljača master odnosno senzor SR komponenti. U slučaju korištenja NEMA 7-pin konektora na SR pripremljenim svjetiljkama, potrebna je cjelovita systemska verifikacija te kombinacije prije korištenja. Nepoštivanje ovog savjeta će stvarno ili potencijalno uzrokovati rizik kvara ili nepravilnog funkcioniranja sistema za koje Signify ne može preuzeti odgovornost.
- LT **SR (system ready) suderinamumas** – Šviestuvuose su SR galima naudoti tik SR sertifikuotus komponentus / jutiklius (taip pat žiūrėkite: <http://www.lighting.philips.co.uk/oem-emea/products/driving-connected-lighting>). Komponentų / jutiklių tiekėjas turi užtikrinti tinkamą dviejų (SR sertifikuotų) komponentų / jutiklių, kurie bus naudojami kartu, funkcinį suderinamumą, taip pat galimybę panaikinti bet kurią linijinio perjungimo funkciją, naudojamą šviestuve su SR. Jei SR šviestuve naudojamą NEMA 7 kontaktų lizdas, būtina papildomai atlikti visos sistemos patikrą. Šių nurodymų nesilaikymas gali įtakoti sugadinimą ir nesuderinamumą/neveikimą, už kuriuos „Signify“ nepriima jokios atsakomybės.
- LV **SR saderība** – Gaismekļiem uz SR bāzes ir izmantojami tikai SR sertificēti komponenti/sensori (skatīt arī: <http://www.lighting.philips.co.uk/oem-emea/products/driving-connected-lighting>). Funkcionāla saderība starp diviem (SR sertificētiem) komponentiem/sensoriem, kurus izmantos kopā, kā arī, ignorēšanas iespējas jebkuras līnijas pārslēgšanas funkcijas, kas tiks izmantotas SR bāzes gaismekļos, ir jāsniedz galvenā komponenta / sensora piegādātājam. Ja izmanto NEMA 7 – pin ligzdu kopā ar SR bazēto gaismekli, verifikācija ir obligāta visai sistēmai. Šī ieteikuma neievērošana var radīt / radīs kaitējuma un neatbilstības risku, par kuru Signify nevar uzņemties nekādu atbildību.
- EE **SR ühilduvus** – SR-põhiste valgustite puhul tuleb kasutada ainult SR-sertifikaadiga komponente/andureid (vt ka: <http://www.lighting.philips.co.uk/oem-emea/products/driving-connected-lighting>). SR-sertifitseeritud seadme/anduri tarnija peab lubama ja vastutama kahe kombineeritud SR seadme/anduri funktsionaalse ühilduvuse ja juhtsoone (Lineswitch) funktsiooni kasutamisel seadete alistamise SR valmidusega valgustis. Kui kasutate SR-põhisel valgustil NEMA 7-pin pistikut, on vajalik süsteemi vastavuse täielik kontroll. Selle nõude mittejärgimine võib põhjustada kahju tekkimist ja mittevastavust, mille eest Signify ei vastuta.
- SI **Združljivost s SR** – Za svetilke, ki temeljijo na SR, se smejo uporabiti samo certificirane SR komponente / senzori, (glejte tudi: <http://www.lighting.philips.co.uk/oem-emea/products/driving-connected-lighting>). Funkcionalno združljivost komponent / senzorjev, ki jih je treba uporabiti v kombinaciji, kot tudi možnost preglasovanja katere koli funkcije linijskega stikala, mora sprostiti glavni dobavitelj komponent / senzorjev. Če uporabljate 7-pin vtičnico NEMA v svetilki, ki temelji na SR, je potrebna celovita verifikacija sistema. Neupoštevanje teh navodil lahko povzroči škodo in neskladnosti, za kar podjetje Signify ne prevzema nobene odgovornosti.



GB - Disconnect before servicing

FR - Mettre hors tension avant intervention

DE - Öffnen nur spannungsfrei

NL - Stroom afsluiten voor onderhoud

LT - Pirms apkopes atvienojiet no elektrības

EE - Katkesta elektritoide enne valgusti hooldust/remonti

PT - Desconecte antes de fazer a manutenção

DK - Frakobl, før service

NO - Koble fra før service

FI - Irrota pistoke ennen huolto

CZ - Před servisem se odpojte

TR - Servis yapmadan önce bağılantıyı kesin

HR - Prije servisiranja isključite

GR - Αποσυνδέστε πριν από τη συντήρηση

BG - Изключете преди сервис

RU - Отключите перед обслуживанием

LV - Pirms apkopes atvienojiet to

IT - Togliere tensione prima di fare manutenzione

ES - Desconectar antes de manipular

SE - Bryt strömmen före lampbyte

SK - Odpojit pred údržbou

SI - Pred servisiranjem izključite svetilko

HU - Karbantartás előtt húzza ki a csatlakozót

PL - Odłącz przed serwisowaniem

RO - Deconectați-vă înainte de întreținere

GB	Luminaire has basic insulation between Low Voltage supply and control conductors.	SE	Armaturen har enkelisolering mellan lågvoltförsörjningen och styrledningarna.	GR	Το φωτιστικό διαθέτει βασική μόνωση μεταξύ της χαμηλής τάσης τροφοδοσίας και των αγώγων ελέγχου.
ES	La luminaria tiene un aislamiento básico entre la alimentación de baja tensión y los cables de la señal de control.	NO	Armaturet har enkelisolering mellom lavvoltforsyningen og styreledningene.	CZ	Ve svítidle je mezi vodiči napájení a řízení základní izolace.
PT	A luminária tem um isolamento básico entre a alimentação de baixa tensão e os cabos de sinal de controlo.	FI	Valaisimessa on peruseristys syöttöjännitteen ja ohjausohjotmien välillä.	TR	Armatur, Alçak Gerilim beslemesi ile kontrol iletkenleri arasında temel izolasyona sahiptir
DE	Die Leuchte verfügt über eine einfachen Isolation zwischen der Niederspannungsversorgung und den Steuerleitungen.	HU	A lámpatest kifeszűltségű és szabályozó bemenetét galvanikusan el vannak választva.	SK	Svietidlo má základnú izoláciu medzi vodičmi zdroja nízkeho napätia a ríadiacimi vodičmi.
FR	Le luminaire comporte une isolation de base entre l'alimentation basse tension et les câbles de contrôle.	RO	Corpul de iluminat dispune de izolație de bază între sistemul de alimentare de joasă și conductorii de control.	LT	Šviestuvos turi elementarią izoliaciją tarp žemos įtampos maitinimo ir valdymo laidų.
IT	Il grado di isolamento tra il conduttore di alimentazione ed il conduttore di segnale è básico.	BG	Осветителното тяло има основна изолация между захранването ниско напрежение и контролните проводници.	LV	Gaismeklim ir pamata izolācija starp zemsprieguma barošanas un vadības aprīkojuma.
NL	Armatuur heeft een basisisolatie tussen laagspannings-voeding en controle bedrading.	RU	Светильник обладает базовой электроизоляцией между низковольтным блоком питания и управляющими проводниками.	EE	Valgustil on põhiisolatsioon madalpinge toite ja juhtimiseadmete vahel.
DK	Armaturet har enkelisolering mellem lavvoltforsyningen og styreledningerne.	PL	Oprawa posiada podstawową izolację pomiędzy modulem zasilania niskonapięciowego i przewodami sterującymi.	SI	Svetilka ima osnovno izolacijo med nizkonapetostnimi napajalnimi in regulacijskimi vodniki.
				HR	Svjetiljka ima osnovnu izolaciju između napajanja i upravljačkih konektora.
GB	The light source and/or control gear and/or the external flexible cable contained in this luminaire shall only be replaced by the manufacturer or his service agent or a similar qualified person.	RO	Sursa de lumină și / sau aparatura și / sau cablul flexibil extern conținut în acest aparat de iluminat trebuie înlocuite numai de producător sau de agentul său de service sau de o persoană calificată similară.		
ES	La fuente de luz/o el driver / o el cable flexible contenido en la luminaria solo podrá ser sustituido por el fabricante o su agente de servicio o por una persona cualificada.	FI	Tässä valaisimessa oleva valonlähde ja/tai muut komponentit, kuten liitäntälaitte ja/tai ulkoiset kaapelit saadaan vaihtaa vain valmistajan tai tämän valtuuttaman huoltoedustajan tai vastaavan pätevän henkilön toimesta.		
PT	A fonte de luz e/ou o equipamento de controlo e/ou o cabo externo flexível nesta luminária só devem ser substituídos pelo fabricante ou pelo seu agente de serviço ou por pessoa qualificada para tal.	TR	Bu armatürde bulunan ışık kaynağı ve / veya kontrol tertibatı ve / veya harici esnek kablo, yalnızca imalatçı veya onun servis temsilcisi veya benzer bir kalifiye kişi tarafından değiştirilmelidir.		
DE	Die in dieser Leuchte enthaltene Lichtquelle und/oder das Betriebsgerät und/oder das externe flexible Anschlusskable darf nur vom Hersteller oder seinem Kundendienst oder einer ähnlich qualifizierten Person ausgetauscht werden.	HR	Izvor svjetlosti i / ili predspojna naprava i / ili vanjski fleksibilni napojni kabel sadržan u ovoj svjetiljci smije zamijeniti samo proizvođač, ovlaštenu osobu ili adekvatna stručno osposobljena i ovlaštena osoba.		
FR	La source lumineuse et/ou le contrôleur de courant et/ou le câble souple d'alimentation contenus dans ce luminaire ne doivent être remplacés que par le fabricant, un de ses agents ou une personne qualifiée.	GR	Η φωτεινή πηγή ή/και το όργανο έναυσης/ελέγχου ή/και το εξωτερικό εύκαμπτο καλώδιο που περιέχεται στο εν λόγω φωτιστικό πρέπει να αντικαθίστανται μόνο από τον κατασκευαστή ή τον αντιπρόσωπο σέρβις ή παρόμοιο ειδικευμένο πρόσωπο.		
IT	La sorgente luminosa e/o il dispositivo di controllo e/o il cavo flessibile esterno contenuti in questo apparecchio di illuminazione sono sostituiti solo dal costruttore o dal suo agente di servizio o da una persona qualificata analoga.	BG	Източникът на светлина и / или пусково-регулируща апаратура и / или външният гъвкав кабел, съдържащ се в това осветително тяло, трябва да бъдат заменени само от производителя или неговия оторизиран сервиз или подобно квалифицирано лице.		
NL	De lichtbron en/of voorschakelapparatuur en/of de flexibele voedingskabel van dit armatuur mag alleen vervangen worden door de fabrikant of haar service dealer of een vergelijkbaar gekwalificeerd persoon.	RU	Источник света и / или ПРА и / или внешний гибкий кабель, содержащиеся в этом светильнике, могут быть заменены только производителем, его агентом по обслуживанию или аналогичным квалифицированным лицом.		
DK	Lyskilden og/eller driver og/eller eksterne kabler indeholdt i dette armatur må kun udskiftes af producenten eller godkendt service partner eller lignende kvalificeret person.	SK	Svetelný zdroj a/alebo predradník a/alebo externý flexibilný kábel obsiahnutý v tomto svietidle môže byť vymenený len výrobcom alebo servisným partnerom alebo inou podobne kvalifikovanou osobou.		
SE	Ljuskällan och/eller styrsystemet och/eller den externa kabeln i denna armatur får endast bytas ut av tillverkaren eller en kvalificerad person.	LT	Šviesos šaltinis ir/arba valdymo įrenginys ir/arba išorinis lankstus kabelis esantis šiame šviestuve gali būti pakeistas tik gamintojo arba jo aptarnavimo agento ar tai atitinkancio kvalifikuoto asmens.		
NO	Lyskilden og/eller driveren og/eller den eksterne kabelen i dette armaturet skal bare erstattes av produsenten eller dens service agent eller tilsvarende kvalifisert person.	LV	Gaismas avotu un / vai vadības ierīci un / vai ārējo elastīgo kabeli, kas atrodas šajā gaismeklī, drīkst nomainīt tikai ražotājs vai viņa servisa pārstāvis vai līdzīga kvalificēta persona.		
CZ	Světelný zdroj a/nebo napájecí zdroj (předradník) a/nebo flexibilní napájecí kabel v tomto svítidle smí vyměňovat pouze výrobce nebo jeho servisní technik nebo obdobně kvalifikovaná osoba.	EE	Selles valgustis sisalduva valgusalikalla ja/või juhtimiseadme ja/või välise painduva kaabli võib välja vahetada ainult tootja, vastav hooldusspetsialist või muu sarnane kvalifitseeritud isik.		
HU	A lámpatestben található fényforrást és/vagy működtető szerelvényt és/vagy a külső rugalmas kábelét csak a gyártó, a gyártóval szerződött cég vagy megfelelő képzéssel rendelkező szakember cserélheti ki.	SI	Vir svetlobe in / ali napajalnik in / ali zunanji prilagodljivi kabel, ki ga vsebuje ta svetilka, lahko zamenja le proizvajalec ali njegov servis ali podobna usposobljena oseba.		
PL	Źródło światła i/lub zasilacz i/lub zewnętrzny przewód zasilający, który jest w oparciu powinien być wymieniony przez producenta lub jego serwisanta lub kwalifikowany personel.				



© 2021 Signify Holding.

All rights reserved. This document contains information relating to the product portfolio of Signify which information may be subject to change. No representation or warranty as to the accuracy or completeness of the information included herein is given and any liability for any action in reliance thereon is disclaimed. The information presented in this document is not intended as any commercial offer and does not form part of any quotation or contract. Philips and the Philips Shield Emblem are registered trademarks of Koninklijke Philips N.V.. All other trademarks are owned by Signify Holding or their respective owners.

Signify Holding.