

# ALKCO

## UV-C

### Strip

#### 1 or 2 lamp T8 Philips TUV



The ALKCO UV-C strip utilizes Philips UV-C technology to continuously treat the air to reduce airborne pathogens.\* UV-C can play an important role in a broad range of applications such as schools, offices, industry, (food) retail and museums.

Project: \_\_\_\_\_  
 Location: \_\_\_\_\_  
 Cat.No: \_\_\_\_\_  
 Type: \_\_\_\_\_  
 Lamps: \_\_\_\_\_ Qty: \_\_\_\_\_  
 Notes: \_\_\_\_\_

### Ordering guide

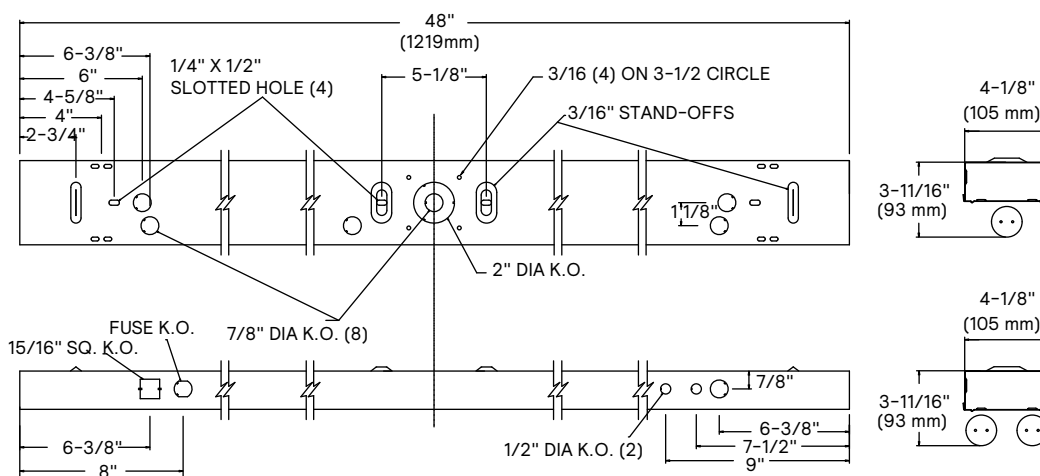
Example: UST236-UNV-1/2-EB

Family	Lamp Quantity	Lamp Type/Wattage	Voltage	Ballast	Options
<b>UST</b>		<b>36</b> -	<b>UNV</b> -	<b>1/2-EB</b> -	
UST UV-C strip	1 One lamp 2 Two lamp	36 36W T8 Philips TUV	UNV Universal voltage 120-277V	1/2-EB One 2 lamp electronic ballast	<b>blank</b> White external housing <b>BK</b> Black external housing

### General Notes

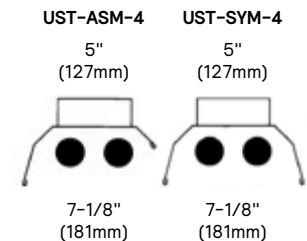
- All options factory installed.
- All accessories are field installed.
- Lamps are included with luminaire but shipped separately.

### Dimensions



### Accessories (order separately)

- **UST-ASM-4** 4' asymmetric reflector
- **UST-SYM-4** 4' symmetric reflector
- **CG-4** 4' wire guard for strip without reflector
- **HHH5-VHOOK** 54" chain & V hooks
- **TH-1** Sliding hanger, flush mounting



### Mounting height

No specified mounting restrictions, used in unoccupied space.

\* Alkco's wall mount and ceiling mount upper air UV-C luminaires were tested for SARS-CoV-2 in Innovative Bioanalysis Lab. The wall-mounted luminaire achieved 99.9% reduction in 10 minutes and the ceiling mount luminaire achieved 92.6% reduction in 20 minutes. The luminaires were also tested for Escherichia coli in Intertek Lab. Both luminaires achieved 99.9% reduction in 45 minutes.



# UST UV-C strip

1 or 2 lamp T8 Philips TUV

## Controls System

For proper UL certified permanent installations, a controls system must be used with Alkco UV-C strips. As an example, the system would consist of a control panel with optional components including checkpoint switches, door switches, warning lights, emergency stop switches, and motion detectors. See UV controls specification sheets for details.



UV-C lamp



Warning light



Area emergency stop



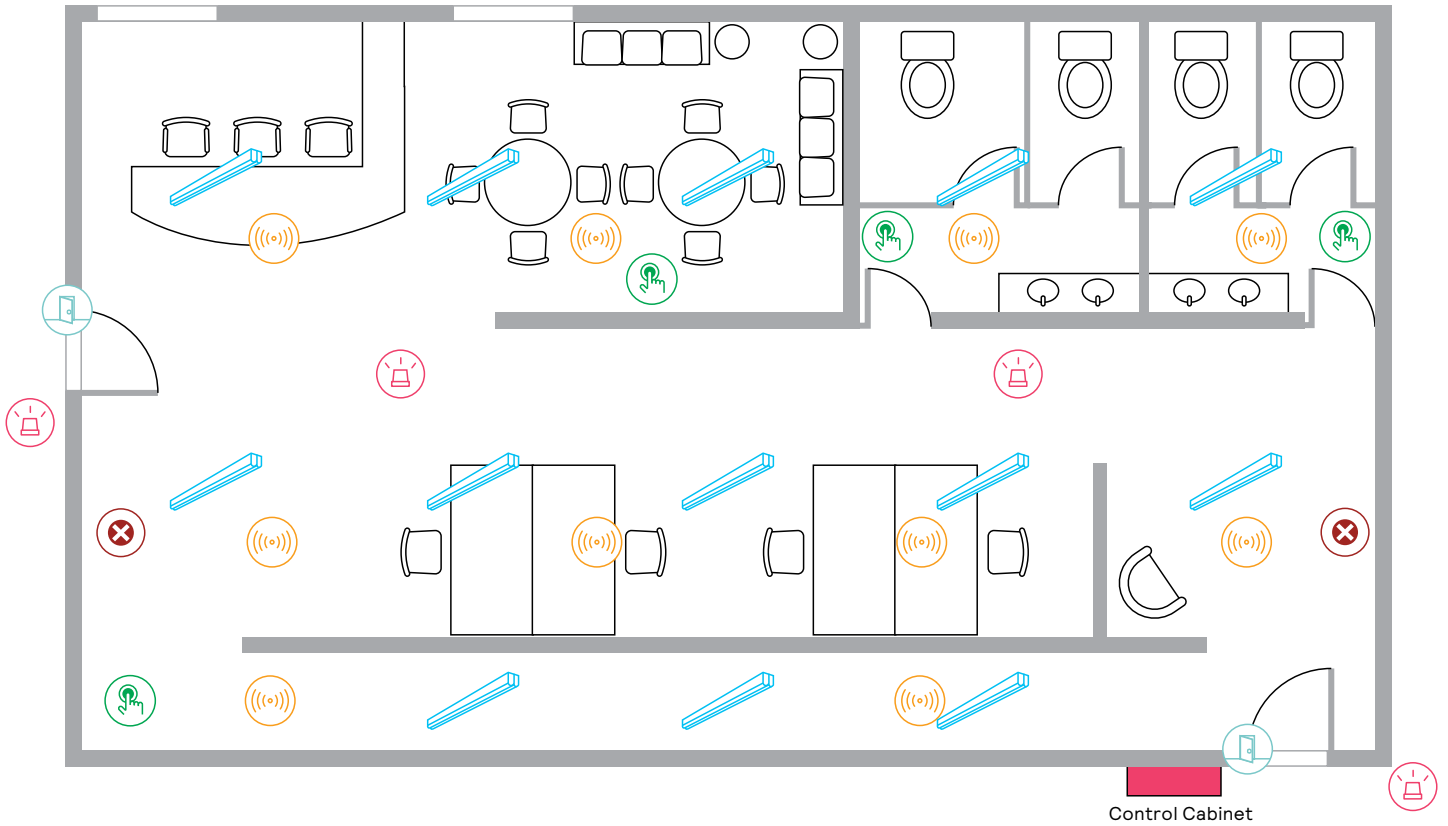
Checkpoint



Door switch



Motion sensor



# UST UV-C strip

## 1 or 2 lamp T8 Philips TUV

### UV-C

- This UV-C product is intended to be used for the treatment of air except for in medical locations.
- Philips TUV T8 lamps produce a peak output at 253.7nm.

### Construction/Finish

- Multiple knockouts for convenient installation.
- Heavy duty channel of code gauge die formed steel.
- High reflectance white baked enamel finish.
- Quarter turn latch secures channel cover for easy wireway access.
- Lamps are included with luminaire but shipped separately.

### Disclaimer

Signify and its group of companies do not promise or warrant that the use of the products will protect or prevent any user from infection and/or contamination with any viruses, bacteria, protozoa, fungi, illness or disease. The products are not approved for, are not intended and must not be used as medical devices. In addition to and without limitation of any exclusions or limitations of liability of Signify and its group of companies as set forth in any agreement for the sale, distribution or otherwise making available of the products, Signify shall have no responsibility or liability whatsoever for any claim or damage that may arise from or relate to any use of the Products outside of their intended use or contrary to their installation and operation instructions, each as described in the Documentation.

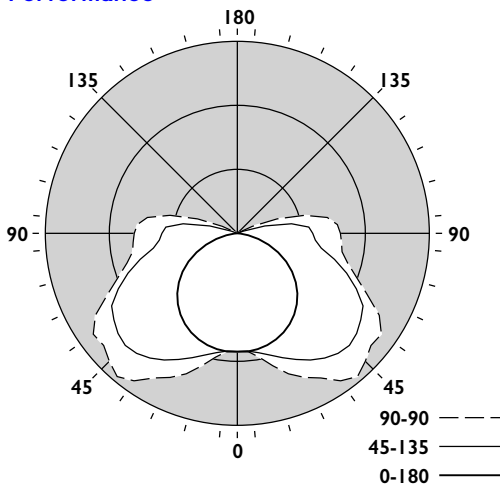
### Warnings and Cautions

- This UV-C product is not approved and/or certified as a medical device.
- This UV-C product cannot be used to treat the surfaces of medical devices (such as medical devices in a room, surgical masks and/or surgical respirators). The device cannot be used in medical settings. The device cannot be used for treatment of human skin.
- UV-C radiation can damage the human eye and can cause severe sunburn-like reaction to human skin.
- UV-C can have adverse affects on organics such as plants and animals.
- UV-C radiation may damage or discolor materials such as plastics and rubber, among others.
- UV-C products should be installed and maintained by a trained technician following installation instructions and user manual.
- This UV-C product must be combined with a UL certified controls system for use in permanent installs. See page 2 for controls system example.

### Warranty

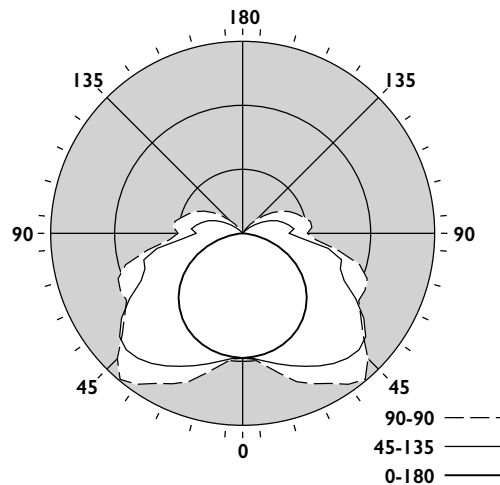
- 1 year limited warranty ([signify.com/warranties](http://signify.com/warranties))

### Performance



#### UST136-UNV-1/2-EB (1 Lamp)

Lamp Type	36W T8 TUV
Input Watts	38.0
Irradiance (mW)	14160.1



#### UST236-UNV-1/2-EB (2 Lamp)

Lamp Type	36W T8 TUV
Input Watts	92.4
Irradiance (mW)	32598.6



© 2021 Signify Holding. All rights reserved. The information provided herein is subject to change, without notice. Signify does not give any representation or warranty as to the accuracy or completeness of the information included herein and shall not be liable for any action in reliance thereon. The information presented in this document is not intended as any commercial offer and does not form part of any quotation or contract, unless otherwise agreed by Signify.

Signify North America Corporation  
200 Franklin Square Drive,  
Somerset, NJ 08873  
Telephone 855-486-2216

Signify Canada Ltd.  
281 Hillmount Road,  
Markham, ON, Canada L6C 2S3  
Telephone 800-668-9008

All trademarks are owned by Signify Holding or their respective owners.