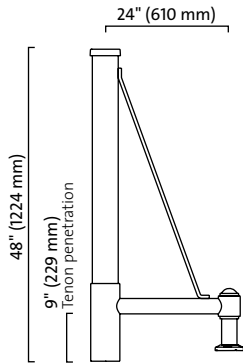


PC / CN1 / CN1S / OM > MEDIUM REACH BRACKETS

PC

EPA: 2.35 sq.ft. Weight: 20.0 lbs. (9.1 kg)



Specifications:

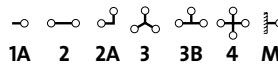
The PC mounting arm features a 2 3/8" (60 mm) round extruded-aluminum arm welded to the central pole adaptor.

The mounting arm includes an extruded-aluminum decorative rod welded to the central pole adaptor and to the arm.

The luminaire adaptor will accept a luminaire equipped with Lumeç's four-bolt mounting system.

The aluminum central pole adaptor slip-fits 9" (229 mm) over a 4" (102 mm), 5" (127 mm) or 5 9/16" (141 mm) O.D. pole or tenon.

Configurations



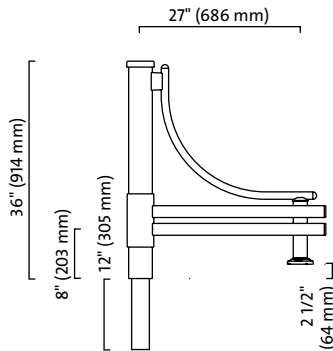
Mid-pole Configurations

> with pole option MPL



CN1

EPA: 2.62 sq.ft. Weight: 23.0 lbs. (10.4 kg)



Specifications:

The CN1 mounting arm features two 2" by 3" (51 x 76 mm) rectangular extruded-aluminum arms welded to the central pole adaptor.

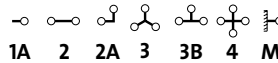
The mounting arm includes a cast-aluminum decorative curved section welded to the central pole adaptor and the arm.

The luminaire adaptor will accept a luminaire equipped with Lumeç's four-bolt mounting system.

The central pole adaptor slip-fits 12" (305 mm) into a 4" (102 mm), 5" (127 mm) or 5 9/16" (141 mm) O.D. pole or tenon.

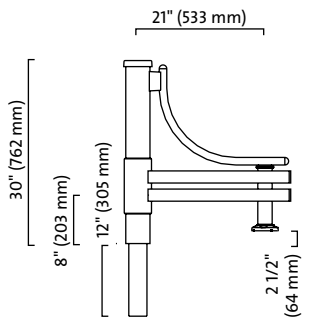
> The CN1 is available with the OV option that can accommodate up to two 175W ballasts.
> For pole supplied by others, we strongly recommend the OV option.

Configurations



CN1S

EPA: 2.58 sq.ft. Weight: 20.0 lbs. (9.1 kg)



Specifications:

The CN1S mounting arm features two 2" by 3" (51 x 76 mm) rectangular extruded-aluminum arms welded to the central pole adaptor.

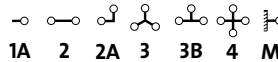
The mounting arm includes a cast-aluminum decorative curved section welded to the central pole adaptor and the arm.

The luminaire adaptor will accept a luminaire equipped with Lumeç's four-bolt mounting system.

The central pole adaptor slip-fits 12" (305 mm) into a 4" (102 mm), 5" (127 mm) or 5 9/16" (141 mm) O.D. pole or tenon.

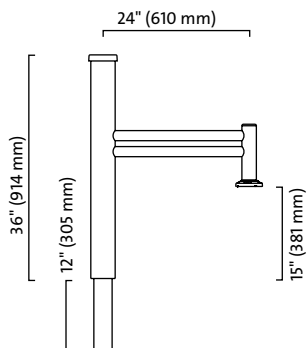
> The CN1S is available with the OV option that can accommodate up to one 175W ballasts.
> For pole supplied by others, we strongly recommend the OV option.

Configurations



OM

EPA: 1.84 sq.ft. Weight: 12.0 lbs. (5.4 kg)



Specifications:

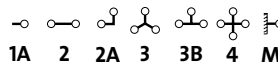
The OM mounting arm features two straight 1 5/8" O.D. (41 mm) arms welded to the central pole adaptor and an extruded-aluminum luminaire adaptor.

The luminaire adaptor will accept a luminaire equipped with Lumeç's four-bolt mounting system.

The central pole adaptor slip-fits 12" (305 mm) into a 4" (102 mm), 5" (127 mm) or 5 9/16" (141 mm) O.D. pole or tenon.

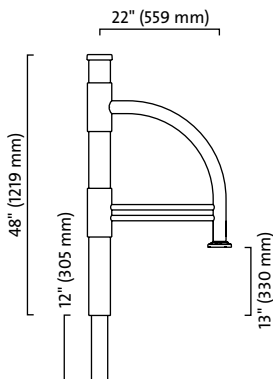
> The OM is available with the OV option that can accommodate up to two 175W ballasts.
> For pole supplied by others, we strongly recommend the OV option.

Configurations



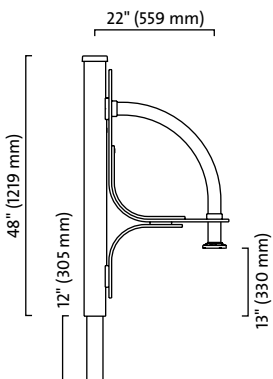
PM

EPA: 2.53 sq.ft. **Weight:** 18.0 lbs. (8.2 kg)



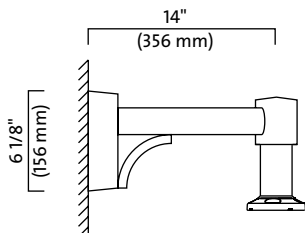
CN3

EPA: 2.63 sq.ft. **Weight:** 26.0 lbs. (11.8 kg)



CNB-M

EPA: 0.38 sq.ft. **Weight:** 5.0 lbs. (2.03 kg)



Specifications:

The **PM** mounting arm features a 2 3/8" O.D. (60 mm) extruded-aluminum tubing bent at a 90° angle and welded to two 1" (25 mm) extruded-aluminum arms, two decorative rings.

The luminaire adaptor will accept a luminaire equipped with Lumeç's four-bolt mounting system.

The central pole adaptor slip-fits 12" (305 mm) into a 4" (102 mm), 5" (127 mm) or 5 9/16" (141 mm) O.D. pole or tenon.

> The *PM* is available with the *OV* option that can accommodate up to two 175W ballasts.
> For pole supplied by others, we strongly recommend the *OV* option.

Configurations **1A 2 2A 3 3B 4 M**

Specifications:

The **CN3** mounting arm features a 2 3/8" O.D. (60 mm) extruded-aluminum tubing bent at a 90° angle welded to the central pole adaptor and to a cast-aluminum curved decorative flat band arm.

The luminaire adaptor will accept a luminaire equipped with Lumeç's four-bolt mounting system.

The central pole adaptor slip-fits 12" (305 mm) into a 4" (102 mm), 5" (127 mm) or 5 9/16" (141 mm) O.D. pole or tenon.

> The *CN3* is available with the *OV* option that can accommodate up to two 175W ballasts.
> For pole supplied by others, we strongly recommend the *OV* option.

Configurations **1A 2 2A 3 3B 4 M**

Specifications:

The **CRC** mounting arm features a 2" by 3" (51 by 76 mm) rectangular extruded-aluminum arm welded to a cast-aluminum wall-mounted housing.

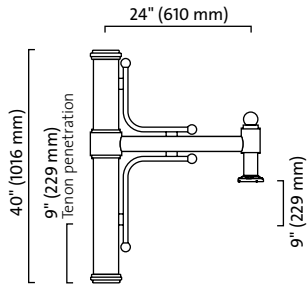
The luminaire adaptor will accept a luminaire equipped with Lumeç's four-bolt mounting system.

Configurations **M**

MM / MR / MT / UM > MEDIUM REACH BRACKETS

MM

EPA: 2.32 sq.ft. Weight: 22.0 lbs. (10.0 kg)



Specifications:

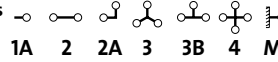
The **MM** mounting arm features a 2 3/8" round (60 mm) extruded-aluminum arm welded to an aluminum central pole adaptor.

The mounting arm includes two decorative cast-aluminum bent rods.

The luminaire adaptor will accept a luminaire equipped with Lumec's four-bolt mounting system.

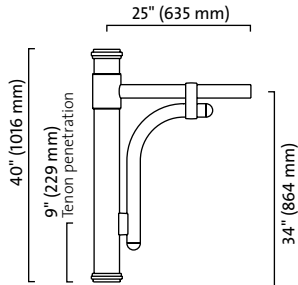
The aluminum central pole adaptor slip-fits 9" (229 mm) over a 4" (102 mm), 5" (127 mm) or 5 9/16" (141 mm) O.D. pole or tenon.

Configurations



MR

EPA: 2.10 sq.ft. Weight: 20.0 lbs. (9.1 kg)



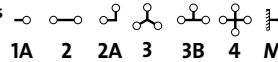
Specifications:

The **MR** mounting arm features a 2 3/8" round (60 mm) extruded-aluminum arm welded to an aluminum central pole adaptor.

The mounting includes a decorative bent extruded-aluminum tube welded to the central pole adaptor and to the arm.

The cast-aluminum central pole adaptor slip-fits 9" (229 mm) over a 4" (102 mm), 5" (127 mm) or 5 9/16" (141 mm) O.D. pole or tenon.

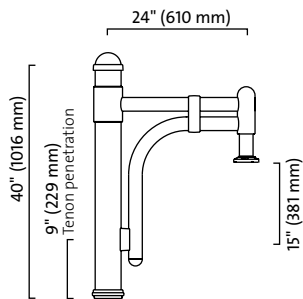
Configurations



MT

*Compatible with RCD7 receptacle - see page 4 for details

EPA: 2.20 sq.ft. Weight: 21.0 lbs. (9.5 kg)



Specifications:

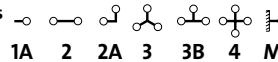
The **MT** mounting arm features a 2 3/8" round (60 mm) extruded-aluminum arm welded to an aluminum central pole adaptor.

The mounting arm includes a decorative bent extruded-aluminum tube welded to the central pole adaptor and to the luminaire adaptor.

The luminaire adaptor will accept a luminaire equipped with Lumec's four-bolt mounting system.

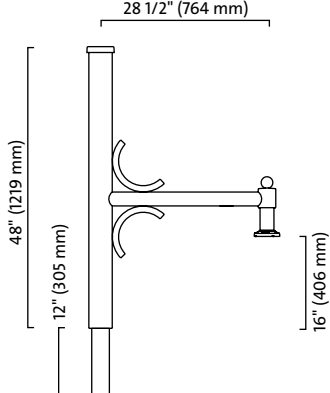
The aluminum central pole adaptor slip-fits 9" (229 mm) over a 4" (102 mm), 5" (127 mm) or 5 9/16" (141 mm) O.D. pole or tenon.

Configurations



UM

EPA: 2.33 sq.ft. Weight: 16.0 lbs. (7.3 kg)



Specifications:

The **UM** mounting arm features a 2 3/8" round (60 mm) extruded-aluminum arm welded to an aluminum central pole adaptor.

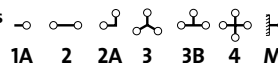
The mounting arm includes two cast-aluminum decorative elements welded to the central pole adaptor and to the arm.

The luminaire adaptor will accept a luminaire equipped with Lumec's four-bolt mounting system.

The central pole adaptor slip-fits 12" (305 mm) into a 4" (102 mm), 5" (127 mm) or 5 9/16" (141 mm) O.D. pole or tenon.

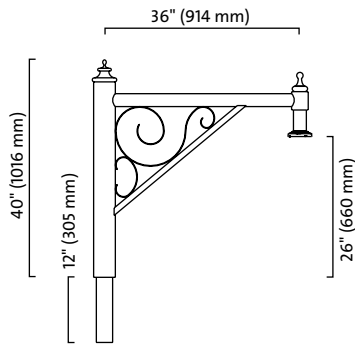
> The **UM** is available with the **OV** option that can accommodate up to two 175W ballasts.
> For pole supplied by others, we strongly recommend the **OV** option.

Configurations



CRG

EPA: 2.29 sq.ft. **Weight:** 15.0 lbs. (6.8 kg)



Specifications:

The **CRG** mounting arm features one 2 3/8" round (60 mm) extruded-aluminum arm welded to the central pole adaptor.

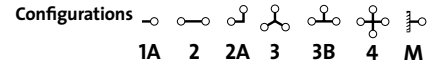
A 1 1/8" square (29 mm) extruded-aluminum tube is welded at an angle to the central pole adaptor and to the arm.

The mounting arm includes two decorative rolled sections of a flat aluminum band welded between the arm, central pole adaptor and angled tube.

The luminaire adaptor will accept a luminaire equipped with Lumeç's four-bolt mounting system.

The central pole adaptor slip-fits 12" (305 mm) into a 4" (102 mm), 5" (127 mm) or 5 9/16" (141 mm) O.D. pole or tenon.

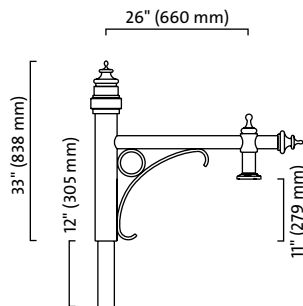
> The *CRG* is available with the *OV* option that can accommodate up to two 175W ballasts.
> For pole supplied by others, we strongly recommend the *OV* option.



CRH

*Compatible with RCD7 receptacle - see page 4 for details

EPA: 1.95 sq.ft. **Weight:** 24.0 lbs. (10.9 kg)



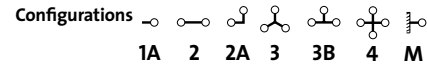
Specifications:

The **CRH** mounting arm features one 2 3/8" round (60 mm) extruded-aluminum arm welded to the central pole adaptor. Both are closed by a decorative cast-aluminum cover.

The mounting arm includes two decorative rolled sections of aluminum rods welded between the arm and the central pole adaptor.

The luminaire adaptor will accept a luminaire equipped with Lumeç's four-bolt mounting system.

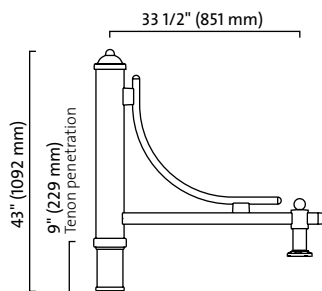
The central pole adaptor slip-fits 12" (305 mm) into a 4" (102 mm), 5" (127 mm) or 5 9/16" (141 mm) O.D. pole or tenon.



CRI

CRI mounting can integrate up to 2 ballasts of 175W.

EPA: 2.68 sq.ft. **Weight:** 40.0 lbs. (18.1 kg)



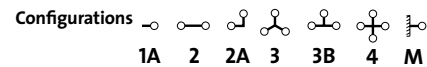
Specifications:

The **CRI** mounting arm features one 2" by 2" (51 x 51 mm) square extruded-aluminum arm welded to the central pole adaptor and closed by a cast-aluminum cover.

The mounting arm includes a 1 1/4" O.D. (32 mm) cast-aluminum decorative curved section welded to both the central pole adaptor and the arm.

The luminaire adaptor will accept a luminaire equipped with Lumeç's four-bolt mounting system.

The aluminum central pole adaptor slip-fits 9" (229 mm) over a 4" (102 mm), 5" (127 mm) or 5 9/16" (141 mm) O.D. pole or tenon.



RCD7 receptacle note:

The optional RCD7 receptacle for sensor and controls integration is available on the MT-1A and CRH-1A brackets for compatible Lumeç pendant luminaires unable to physically accept the receptacle itself, which includes the following:

- Ancestra Pendant (AT50 Series)
- Candela Pendant (CAND1 Series)
- Domus Pendant (DMS50, DMS55 Series)
- Renaissance Pendant (RN20, RN30 Series)
- Square Lantern Pendant (S26P, S41P Series)
- Transit Pendant (TR20 Series)