

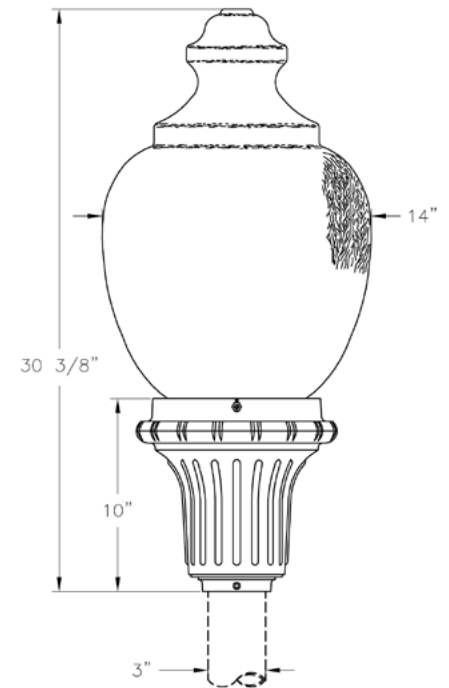


Ordering guide

Example: 2100 D ABS T D 50H E B B A

Product Code		Fitter		Finish		Panel/Globe		Socket	
2100						T			
2100	Hyde Park	D Decorative R Ribbed		ABS Antique Brass ACP Antique Copper ARD Antique Red ASI Antique Silver BLK Black BRN Brown BRZ Bronze FGN Forest Green GRA Granite IRN Ironstone RBZ Rustic Bronze SRT Shadow Rust VBZ Verde Bronze VCP Verde Copper VGN Verde VTC Vintage Copper WBZ Weathered Bronze WHT White		T Lg. Clear Textured Polycarbonate		D Medium G Mogul L LED R Induction	
Wattage/Source		Voltage		Distribution		Photoeye		Finial	
50H	50W MH	E	120V	B	6" Type V Distrib.	B	Button eye	A	Acorn
70H	70W MH	F	208V		6" Type III Distrib.	N	None	N	None
100H	100W MH	G	240V	C	None				
150H	150W MH	H	277V						
35S	35W HPS			N					
50S	50W HPS								
70S	70W HPS								
100S	100W HPS								
150S	150W HPS								
150I	150W INC								
55R	55W Induction								
85R	85W Induction								
165R	165W Induction								

Project: _____
 Location: _____
 Cat.No: _____
 Type: _____
 Lamps: _____ Qty: _____
 Notes: _____



2100 Hyde Park

Post top

Specifications

Construction

Fitter slips over 3" diameter post or tenon.

Finish

Resilient TGIC thermoset polyester powdercoat paint is electrostatically applied to every fixture. Specially formulated for Philips Outdoor Lighting, it provides UV protection, and the highest temperature rating in the industry. In addition to the standard color choices shown, a spectrum of custom colors is available.

Panels/Lens/Globe

See lenses for available options.

Lamping

See lenses for available options.

Electrical Assembly

Lantern will be prewired and tested. All electrical components are ETL listed.

Ballast

Two piece cast aluminum watertight ballast compartment with leaf pattern. (Customer must specify ballast wattage and voltage required.)

Mounting

Fixture mounts to 3" dia. post or tenon.

Warranty

Three-year limited warranty.

Certifications

ETL Listed to U.S. safety standards for wet locations. cETL Listed to Canadian safety standards for wet locations.

Height

30" or 34"

Width

14"

Fitter

3" I.D.

EPA

1.70

Max. Weight

25 lbs.

