

Made from a one-piece, seamless 4" round (102 mm) tube of extruded aluminum, welded over a 8-5/8" round (219 mm) seamless extruded-aluminum pole base. The assembly is welded to both the top and bottom of a cast aluminum anchor plate. A 4-1/2" by 10" (114 by 254 mm) maintenance opening is complete with cover and copper ground lug.

Project: \_\_\_\_\_  
 Location: \_\_\_\_\_  
 Cat.No: \_\_\_\_\_  
 Type: \_\_\_\_\_  
 Lamps: \_\_\_\_\_ Qty: \_\_\_\_\_  
 Notes: \_\_\_\_\_

### Ordering guide

example: RA61-F-8-DE-BE2TX

Pole Family	Wall Thickness	Nominal Height	Options	Finish	
<b>RA61</b>					
<b>RA61</b>	<b>F</b> 0.125"	<b>8</b> 8'	<b>DE</b> Pole base buried 5' (1524 mm) in the ground	<b>BE2TX</b> Midnight Blue Textured	
		<b>10</b> 10'	<b>LS</b> Provision for loudspeaker outlet	<b>BE6TX</b> Ocean Blue Textured	
		<b>12</b> 12'	<b>PH7</b> Button-type photoelectric cell (specify operating voltage)	<b>BE8TX</b> Royal Blue Textured	
		<b>13</b> 13'	<b>PH8</b> Quarter-turn type photoelectric cell (specify operating voltage)	<b>BG2TX</b> Sandstone Gold Textured	
		<b>14</b> 14'	<b>DR</b> Duplex receptacle (120V line voltage, only)	<b>BKTX</b> Black Textured	
		<b>15</b> 15'	<b>GFI</b> DR with common ground fault interrupter (120V line voltage only)	<b>BRTX</b> Bronze Textured	
		<b>16</b> 16'	<b>BA</b> Banner arm	<b>GN4TX</b> Blue Green Textured	
		<b>U</b> 0.226"	<b>8</b> 8'	<b>PS</b> Plant support	<b>GN6TX</b> Forest Green Textured
			<b>10</b> 10'	<b>MPL</b> Mid-pole luminaire	<b>GN8TX</b> Dark Forest Green Textured
	<b>12</b> 12'			<b>GNTX</b> Green Textured	
	<b>13</b> 13'			<b>GY3TX</b> Medium Grey Textured	
	<b>14</b> 14'			<b>RD2TX</b> Burgundy Textured	
	<b>15</b> 15'			<b>RD4TX</b> Scarlet Textured	
	<b>16</b> 16'			<b>WHTX</b> White Textured	
	<b>18</b> 18'			<b>GR</b> Gray Sandtex	
	<b>20</b> 20'			<b>NP</b> Natural Alum.	
	<b>W</b> 0.318"	<b>16</b> 16'		<b>TG</b> Hammer-tone	
		<b>18</b> 18'		<b>TS</b> Hammer-tone Silver	
		<b>20</b> 20'			

**Note:** The recommended method for calculating EPA (Effective Projected Area) is in accordance with AASHTO 2001 standards: for three seconds, the pole is tested in wind gusts equivalent to the strongest winds on record over the past 50 years, and with a 50 pound load (22.7 kg) placed at 1 foot (305 mm) above its center.

# Outdoor Poles and Brackets

## RA61 – Traditional Aluminum Pole

### Pole Data

Pole Family	Catalog Number	Nominal Height (ft)	Nominal Height (m)	Tenon Section (in)	Tenon Section (mm)	Wall Thickness (in)	Wall Thickness (mm)	Weight (lbs)	Weight (kg)	EPA Rating 90 MPH (sq. ft.)	EPA Rating 110 MPH (sq. ft.)	EPA Rating 120 MPH (sq. ft.)	EPA Rating 150 MPH (sq. ft.)	Anchor Bolts (in)	Anchor Bolts (mm)
RA61	RA61F-8	8	2.44	4	102	0.125	3.2	34	15	17.09	11.53	9.67	6.2	3/4-20	19-508
RA61	RA61U-8	8	2.44	4	102	0.226	5.7	41	19	30	20.59	17.35	11.2	3/4-20	19-508
RA61	RA61F-10	10	3.05	4	102	0.125	3.2	38	17	12.26	8.04	6.67	4.2	3/4-20	19-508
RA61	RA61U-10	10	3.05	4	102	0.226	5.7	47	21	22.1	14.79	12.39	7.92	3/4-20	19-508
RA61	RA61F-12	12	3.66	4	102	0.125	3.2	42	19	9.15	5.79	4.71	2.92	3/4-20	19-508
RA61	RA61U-12	12	3.66	4	102	0.226	5.7	53	24	16.94	11.12	9.24	5.84	3/4-20	19-508
RA61	RA61F-13	13	3.97	4	102	0.125	3.2	43	20	7.95	4.92	3.97	2.39	3/4-20	19-508
RA61	RA61U-13	13	3.97	4	102	0.226	5.7	56	25	15.01	9.75	8.05	5.05	3/4-20	19-508
RA61	RA61F-14	14	4.27	4	102	0.125	3.2	45	20	6.96	4.17	3.3	1.96	3/4-20	19-508
RA61	RA61U-14	14	4.27	4	102	0.226	5.7	60	27	13.37	8.58	7.02	4.38	3/4-20	19-508
RA61	RA61F-15	15	4.57	4	102	0.125	3.2	47	21	6.08	3.5	2.72	1.57	3/4-20	19-508
RA61	RA61U-15	15	4.57	4	102	0.226	5.7	63	29	11.96	7.54	6.14	3.77	3/4-20	19-508
RA61	RA61F-16	16	4.88	4	102	0.125	3.2	49	22	5.32	2.94	2.21	1.22	3/4-20	19-508
RA61	RA61U-16	16	4.88	4	102	0.226	5.7	66	30	10.77	6.68	5.38	3.27	3/4-20	19-508
RA61	RA61W-16	16	4.88	4	102	0.318	8.1	103	47	15.16	9.69	7.93	4.93	3/4-20	19-508
RA61	RA61U-18	18	5.49	4	102	0.226	5.7	72	33	8.5	5.02	3.95	2.31	3/4-27	19-686
RA61	RA61W-18	18	5.49	4	102	0.318	8.1	111	50	12.21	7.58	6.12	3.71	3/4-27	19-686
RA61	RA61U-20	20	6.1	4	102	0.226	5.7	79	36	6.7	3.71	2.8	1.53	3/4-27	19-686
RA61	RA61W-20	20	6.1	4	102	0.318	8.1	120	54	9.85	5.9	4.67	2.74	3/4-27	19-686

### Specifications

#### Base cover

Decorative base cover made from cast-aluminum pieces mechanically assembled together with stainless steel hardware around base of the pole.

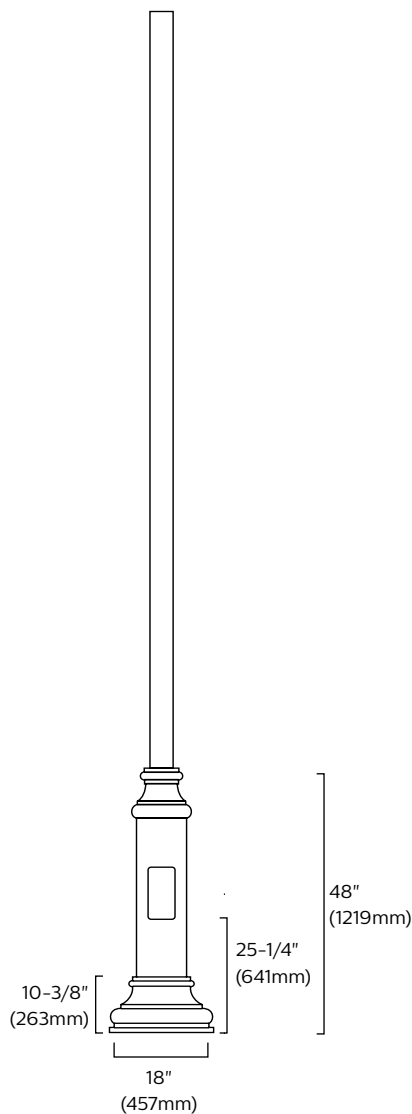
#### Finish

Color to be in accordance with the AAMA 2603 standard. Application of polyester powder coat paint (4 mils/100 microns) with ± 1 mils/24 microns of tolerance. The Thermosetting resins provides a discoloration resistant finish in accordance with the ASTM D2244 standard, as well as luster retention in keeping with the ASTM D523 standard and humidity proof in accordance with the ASTM D2247 standard.

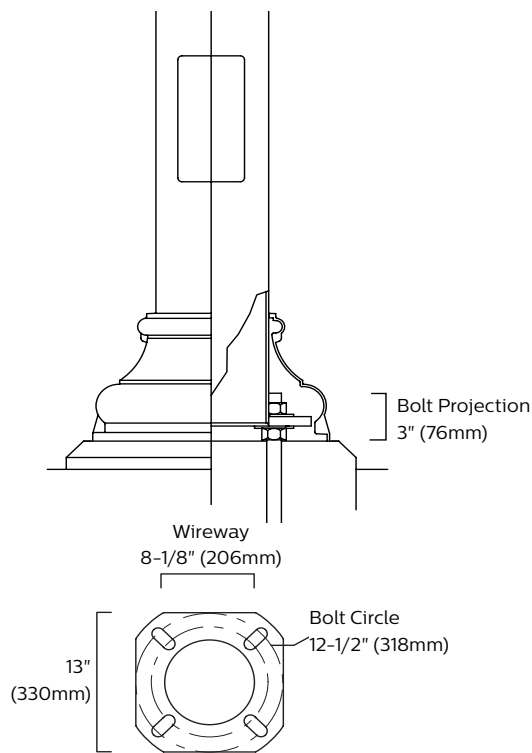
# Outdoor Poles and Brackets

## RA61 – Traditional Aluminum Pole

### Dimensions



### Base Details



Comes with 4 anchor bolts,  
8 nuts and 8 washers.  
B.C. from: 10-3/4" to 13" (273 to 330mm)



© 2021 Signify Holding. All rights reserved. The information provided herein is subject to change, without notice. Signify does not give any representation or warranty as to the accuracy or completeness of the information included herein and shall not be liable for any action in reliance thereon. The information presented in this document is not intended as any commercial offer and does not form part of any quotation or contract, unless otherwise agreed by Signify.

Signify North America Corporation  
200 Franklin Square Drive,  
Somerset, NJ 08873  
Telephone 855-486-2216

Signify Canada Ltd.  
281 Hillmount Road,  
Markham, ON, Canada L6C 2S3  
Telephone 800-668-9008

All trademarks are owned by Signify Holding or their respective owners.