

Installation Instructions

Instructions d'installation
Instrucciones de instalación

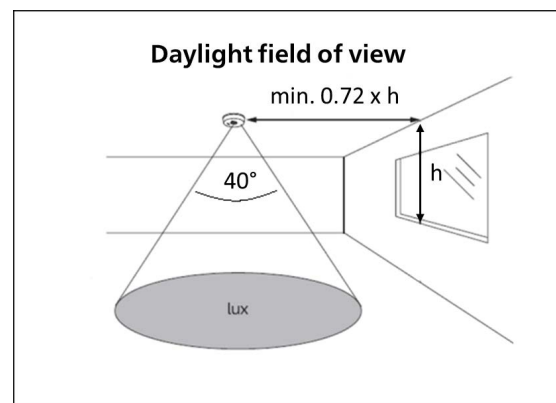
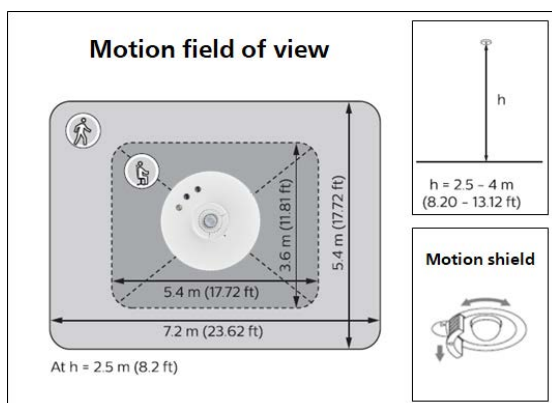
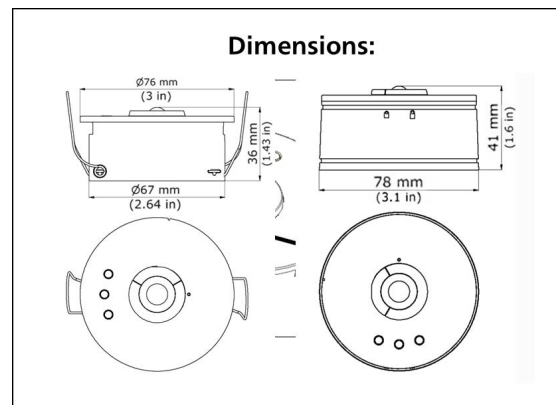
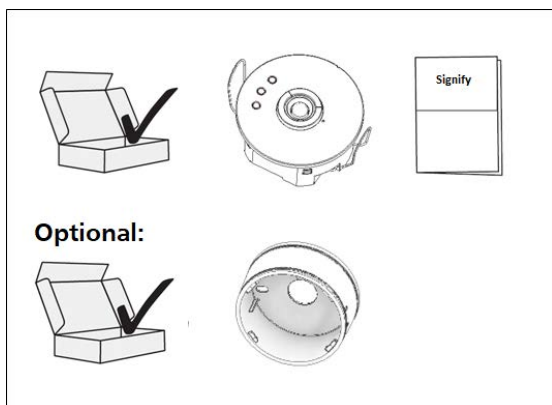
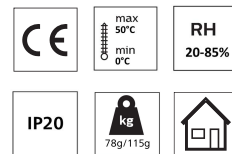
Istruzioni per l'installazione
Installatie-instructies

Installationsanweisungen
インストール手順

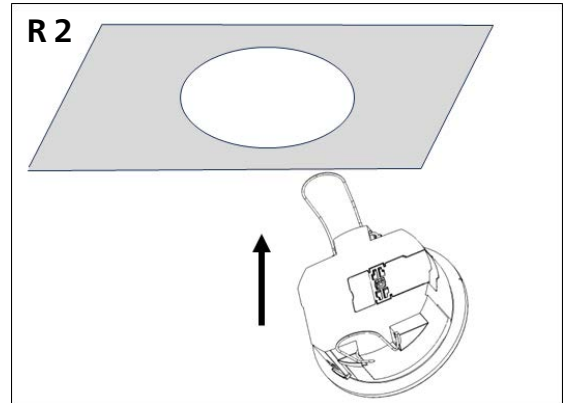
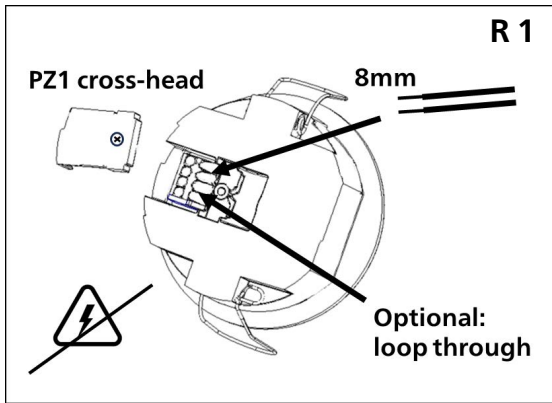
安装指示书
إرشادات التركيب

This installation Guide contains important information regarding the installation and operation of the product. Please read carefully before installation:

- Do not use if the product is damaged.
- Avoid touching live parts!
- Do not install or service the product when the mains voltage is connected.
- Designed for indoor use only.
- Do not use in applications with high levels of condensation.
- Reliable operation between 0°C and 50°C ambient temperature.
- Use soft damp cloth to clean. Do not use chemical cleaners.
- Modifications of the product will void the limited warranty.
- Sensors should not be exposed to direct sunlight or heating/cooling sources.
- Don't place the sensor upside down onto a hard surface. It can damage the lens.
- The clip mounted sensor is not suitable for mounting on tubular material.
- Multi sensor should be positioned to detect both artificial light and sunlight.
- In case of question, please contact Signify representative.



Installation recessed



Installation surface mount

