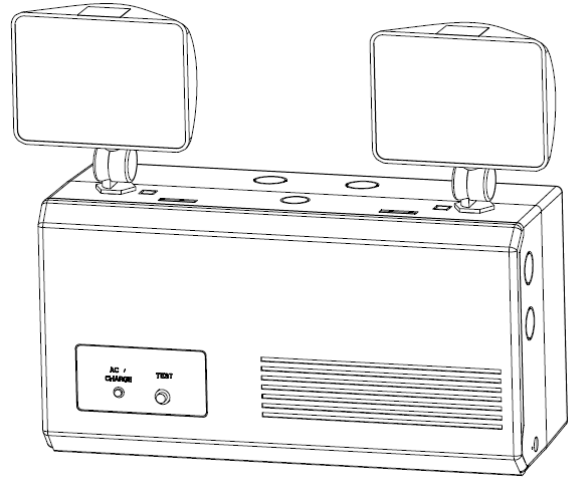


# PHILIPS

## 6M/2M Series

25W-50W Emergency  
Luminaire



## INSTALLATION AND OPERATING INSTRUCTIONS

### IMPORTANT SAFEGUARDS

When using electrical equipment, basic safety precautions should always be followed, including the following:

### READ AND FOLLOW ALL SAFETY INSTRUCTIONS

All servicing should be performed by qualified personnel only.

Equipment should be mounted in locations and at heights where it will not be readily subjected to tampering by unauthorized personnel.

The use of accessory equipment not recommended by the manufacturer may cause an unsafe condition.

Do not use this equipment for other than intended use.

Do not use outdoors.

Do not let supply cords touch hot surfaces.

Do not mount near gas or electric heaters.

**CAUTION: Halogen cycle lamp(s) are used in this equipment. To avoid shattering: Do not operate lamp in excess of rated voltage, protect lamp against abrasion and scratches and against liquids when lamp is operating, dispose of lamp with care.**

Halogen cycle lamps operate at high temperatures. Do not store or place flammable materials near lamp.

**CAUTION:** “To avoid electrical overload, total connected lamp load (factory and field installed) should not exceed output rating”.

## SAVE THESE INSTRUCTIONS

# PHILIPS

Philips Lighting North  
America Corporation  
200 Franklin Square Drive  
Somerset, NJ 08873, USA  
Phone: 855-486-2216  
[www.philips.com/luminaires](http://www.philips.com/luminaires)

Philips Lighting Canada Ltd.  
281 Hillmount Road,  
Markham ON, Canada L6C 2S3  
Phone: 800-668-9008  
[www.philips.com/luminaires](http://www.philips.com/luminaires)

9140053482 February 2016

**WARNING** – Shut off AC power to branch circuits to which units will be connected. All wiring should be per N.E.C. Articles 501-4(b) and local codes.

To maintain warranty, equipment with batteries must be installed or placed on charge within prescribed period after shipment.

## GENERAL INSTRUCTIONS

- 1) Begin the installation process by determining mounting options.
- 2) The slotted, circular keyways can be used to secure the housing to a standard junction box. The junction box must be secured sufficiently to handle the weight of the unit.
- 3) Additionally, two slotted vertical keyway slots (Figure 1) may be used to attach the housing to independent anchor supports. Use three #8 toggle bolts (supplied by others) for securing to wallboard or hollow concrete walls. If the wiring is wall recessed, run wires through center hole of housing in preparation for unit wiring.

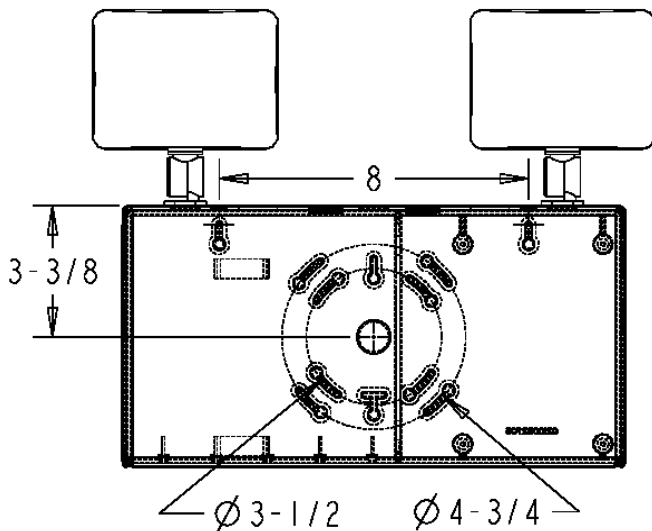


Figure 1

## HOOKUP INSTRUCTIONS

**PHILIPS**

Philips Lighting North  
America Corporation  
200 Franklin Square Drive  
Somerset, NJ 08873, USA  
Phone: 855-486-2216  
[www.philips.com/luminaires](http://www.philips.com/luminaires)

## Standard Units:

Connect A.C. service to unit charger leads:  
Blue = 277 VAC  
Black = 120 VAC  
White = Common  
Green = Ground

1. Connect remote lamps, if applicable. Connect orange lead to RL+ and yellow lead connected to RL-. Ensure total unit load (including internal lamps) does not exceed unit rating.
2. Install battery(ies). Refer to next section and illustrations.
3. Adjust head(s) to illuminate desired area(s).
4. Close cover. Ensure electrical wires and membrane switch cable remain inside unit and do not interfere with cover closure.

## INSTALLING BATTERIES

1. Units may ship without batteries installed depending on the wattage of the unit. For lead units, battery wiring harnesses are already connected to PCB assembly and connection to the batteries is required. In the case of Nicad units, connection of battery harness to the PCB is required.
2. Install and wire batteries as appropriate. (See Page 3-4 for battery configurations)
3. Tighten straps to secure batteries inside unit.

## OPERATING INSTRUCTIONS

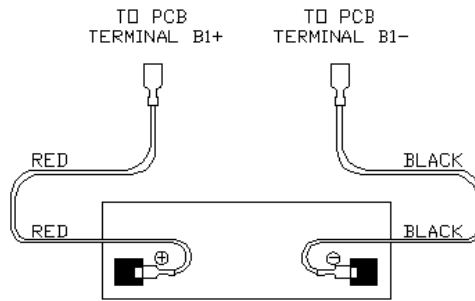
1. Normal Power-Up Sequence  
At power-up, the green LED indicators will illuminate if the unit is properly connected.
2. Press and hold the 'TEST' button. The lamps should illuminate and the green indicator lamp should extinguish while the lamps are on.
3. Release 'TEST' button. Lamps should extinguish and the green indicator lamp should be steady green.

Philips Lighting Canada Ltd.  
281 Hillmount Road,  
Markham ON, Canada L6C 2S3  
Phone: 800-668-9008  
[www.philips.com/luminaires](http://www.philips.com/luminaires)

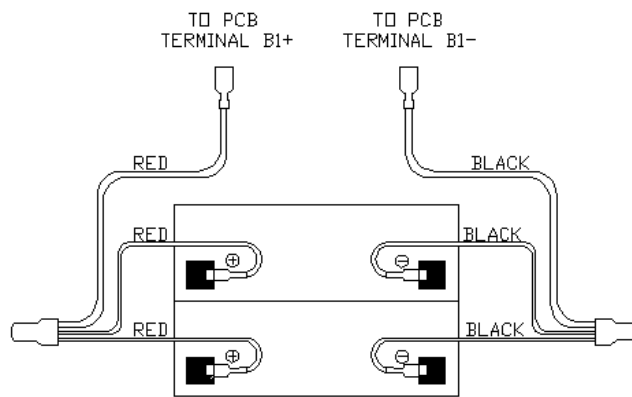
9140053482 February 2016

# BATTERY HOOKUP DIAGRAMS

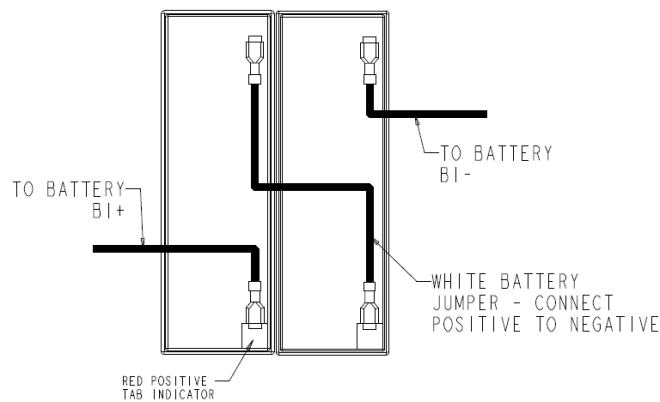
## LEAD BATTERY HOOKUP



**6V 12W/25W/36W LEAD**



**6V 50W LEAD**



**12V 25W/50W LEAD**

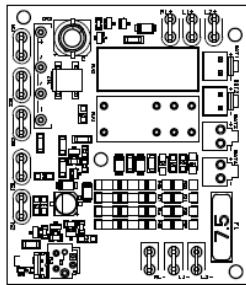


Philips Lighting North  
America Corporation  
200 Franklin Square Drive  
Somerset, NJ 08873, USA  
Phone: 855-486-2216  
[www.philips.com/luminaires](http://www.philips.com/luminaires)

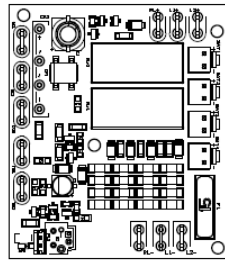
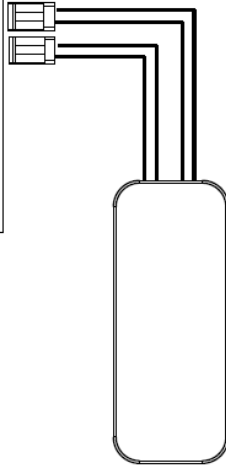
Philips Lighting Canada Ltd.  
281 Hillmount Road,  
Markham ON, Canada L6C 2S3  
Phone: 800-668-9008  
[www.philips.com/luminaires](http://www.philips.com/luminaires)

9140053482 February 2016

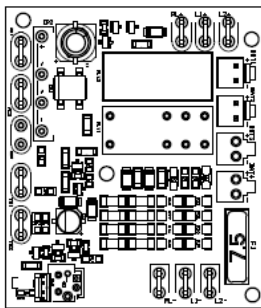
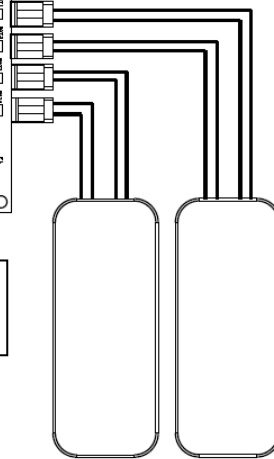
## NICAD BATTERY HOOKUP



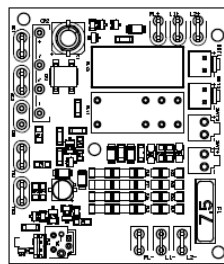
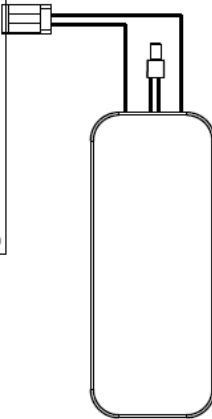
**6V 25W  
NICAD**



**6V 50W  
NICAD**



**12V 25W  
NICAD**



**12V 50W  
NICAD**

