

The Gardco TRS Tapered Round Steel pole consists of a one-piece design fabricated steel tubing circumferentially welded to a structural quality hot rolled carbon steel plate. The poles are finished with an electrostatically applied, thermally cured TGIC polyester powdercoat.

Project: _____
 Location: _____
 Cat.No: _____
 Type: _____
 Lamps: _____ Qty: _____
 Notes: _____

Ordering Guide

example: 05TRS-20-11-D1-BRP

Prefix	Height	Gauge	Drilling ¹	Finish	Options
05TRS	20	11	D1 1 Way	BRP Bronze Paint	FES Festoon Outlet
06TRS	20		D2 2 Way at 180°	BLP Black Paint	VDA Vibration Damper
	25 ²		D2@90 2 Way at 90°	WP White Paint	AHH Additional Hand Hole
07TRS	25		D3 3 Way at 90°	MGY Medium Grey	For Festoon Outlets and Additional Hand Holes, indicate height above base and orientation to original hand hole. See Pole Orientation Information on Page 4. Nipples and Couplings CL1/2 Coupling - Internal Thread 1/2" CL3/4 Coupling - Internal Thread 3/4" CL1 Coupling - Internal Thread 1" CL1-1/4 Coupling - Internal Thread 1-1/4" CL1-1/2 Coupling - Internal Thread 1-1/2" NL1/2 Nipple - External Thread 1/2" NL3/4 Nipple - External Thread 3/4" NL1 Nipple - External Thread 1" NL1-1/4 Nipple - External Thread 1-1/4" NL1-1/2 Nipple - External Thread 1-1/2" Indicate height above base and orientation to hand hole. See Pole Orientation Information on Page 4. Single Side Mount Bullhorn Brackets GM-080-19 Single - 1.9" OD (For Gardco DFL7/DFC7 only) GM-080-24 Single - 2.4" OD Indicate height above base and orientation to hand hole. See Pole Orientation Information on Page 4. Additional and alternative brackets and accessories available. Refer to the Signify product catalog (eCat) website for more information.
	30 ²		D3@120 3 Way at 120°	DGY Dark Grey	
08TRS	35 ²	D4 4 Way	GV Galvanized (No Paint)		
	30	T2 2.4" OD Tenon X 4" long	FPGV Finished Paint over Galvanized (specify color)		
09TRS	35	T3 3" OD Tenon X 5" long	OC Optional Color Paint (Specify RAL designation ex: RAL7024)		
	39 ²	T4 4" OD Tenon X 6" long	SC Special Color Paint (Specify. Must supply color chip.)		
	39	P Plain Top (No Drilling/No Tenon)			

Enter the order code into the appropriate box above. **Note:** Gardco reserves the right to refuse a configuration. Not all combinations and configurations are valid. Refer to notes below for exclusions and limitations. For questions or concerns, please consult the factory.

- Standard poles are drilled in factory for compatibility with Signify luminaires only (D* options). For non-Signify-brand luminaires, select the P drilling option.
- Poles with a 2.4" top OD cannot be side drilled. The 2.4" top has the same OD as the T2 tenon.

Anchor Bolts for Gardco 0xTRS Poles, ordered separately:

	12NC for ordering	Description (in inches)
For Pre-ship service (Order 4 per pole)	912400215784	1 x 36 x 4.5
For shipment with the pole (Order 1 per pole)	912400200208	1 x 36 x 4.5

Poles Tapered Round Steel

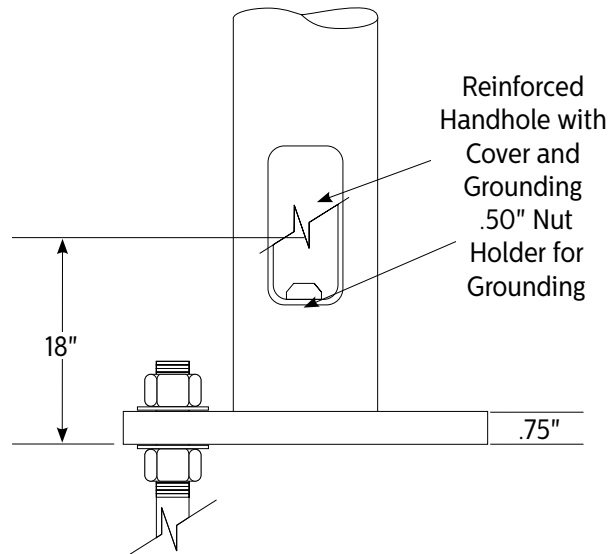
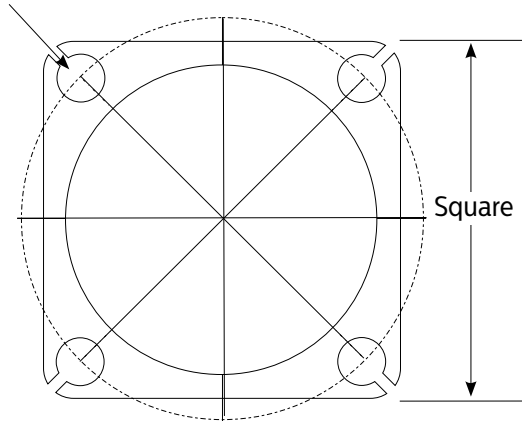
Pole Data

Pole Specs					Maximum Luminaire Loading ¹									Anchor Bolt Data ²	
					High Wind Conditions						Normal Wind Conditions				
					130 MPH		120 MPH		110 MPH		100 MPH	90 MPH	80 MPH		
Product Catalog Number	Height (ft)	Taper Pole Diameter Base (inches)	Taper Pole Diameter Top (inches)	Wall Thickness (inches)	EPA ft ² =	Max Weight (lbs)	EPA ft ² =	Max Weight (lbs)	EPA ft ² =	Max Weight (lbs)	EPA ft ² =	EPA ft ² =	EPA ft ² =	Bolt Circle (inches)	Bolt Size (inches)
05TRS-20-11	20	5.9	3.1	0.12	7.3	181	8.5	212	10.5	262	12.2	15.1	19.3	9.0	1x36x4.5
06TRS-20-11	20	6.5	3.7	0.12	9.3	231	11	275	13	325	15.6	19.3	24.2	9.5	1x36x4.5
06TRS-25-11	25	5.9	2.4	0.12	4.8	119	5.8	144	6.8	168	8	9.9	12.5	9.0	1x36x4.5
07TRS-25-11	25	7	3.5	0.12	7.8	194	9	225	11	275	13.1	16.2	20.3	10.0	1x36x4.5
07TRS-30-11	30	6.6	2.4	0.12	4.5	113	5.5	138	6.5	163	7.5	9.3	11.7	9.5	1x36x4.5
08TRS-30-11	30	8	3.8	0.12	6.8	168	8	200	10	250	12	14.9	18.9	11.0	1x36x4.5
07TRS-35-11	35	7.3	2.4	0.12	4.5	113	5.3	131	6.3	156	7.1	8.9	11.2	10.5	1x36x4.5
08TRS-35-11	35	8.5	3.6	0.12	7.3	181	8.5	213	10.5	263	12.2	15.1	18.9	11.5	1x36x4.5
08TRS-39-11	38.75	7.8	2.4	0.12	3.5	88	4.5	113	5.5	138	6.6	8.5	10.7	11.0	1x36x4.5
09TRS-39-11	38.75	9	3.6	0.12	5.8	144	7	175	8.8	219	10.8	13.5	17.2	12.5	1x36x4.5

- Warning:** Additional wind loading, in terms of EPA, from banners, cameras, floodlights and other accessories attached to the pole, must be added to the luminaire(s) EPA before selecting the pole with the appropriate wind load capability.
- Factory supplied template must be used when setting anchor bolts. Gardco will not honor any claim for incorrect anchorage placement resulting from failure to use factory supplied templates.
- 2.4" top OD cannot be side drilled.

Dimensions

Bolt Holes 0.25" Larger than Anchor Bolt Diameter



NOTE: Factory supplied template must be used when setting anchor bolts. Gardco will not honor any claim for incorrect anchorage placement from failure to use factory supplied templates.

Poles Tapered Round Steel

Specifications

POLE SHAFT

The pole shaft conforms to ASTM A595 Grade-A and is supplied in 11 gauge (0.1196") thickness.

It is one-piece construction with a full length longitudinal high frequency resistance weld and is round in cross section having a uniform taper of 0.14 inches per foot of length.

ANCHOR BASE

The anchor base (base plate) is fabricated from structural quality hot rolled carbon steel plate conforming to ASTM A36. The base plate telescopes the pole shaft and is circumferentially welded top and bottom.

ANCHOR BOLTS

Anchor bolts are fabricated from a commercial quality hot rolled carbon steel bar with a minimum yield strength of 55,000 PSI. Bolts have an "L" bend on

one end and threaded on the opposite end. Anchor bolts are hot dipped galvanized a minimum length of 12" on the threaded end. Four (4) properly sized bolts, each furnished with two (2) hex nuts and flat washers, are provided per pole as an accessory, unless otherwise specified.

BASE COVER

A two-piece base cover completely seals the entire base plate and anchorage, secured with two (2) fasteners.

HAND HOLE

Each hand hole includes an easy to install, self-contained Swing Latch hand hole cover assembly. U.S. Patent Swing Latch cover is fabricated from durable polycarbonate/ABS blend plastic.

Round poles less than 6.25" in diameter have a 3" x 5" hand hole. Larger round poles have

a 4" x 6.5" oval hand hole. A nut holder is provided near the hand hole and includes a .5" - 13 UNC hex head bolt and nut for grounding. The hand hole is circumferentially welded in the pole shaft and includes a steel cover with attachment screws. The hand hole is located at 1' 6" above the base of the pole.

DRILLING

Standard poles are drilled in factory for compatibility with Signify luminaires, optional brackets, and accessories. Signify is not liable for damage caused by unauthorized attachments, alterations, or modifications.

If luminaires are to be supplied by others, Signify/Gardco/Stonco is not responsible for pole compatibility with luminaires, structural integrity of the pole or wind load requirements.

FINISH

The standard finish for pole and accessories is an electrostatically applied, thermally cured TGIC polyester powdercoat.

FASTENERS

All structural fasteners are galvanized high strength carbon steel. All fasteners are galvanized or zinc plated carbon steel or stainless steel.

POLE TOP CAP

Each pole assembly is provided with a removable plastic top push cap. Finish is Black.

General Pole Information

DESIGN

The poles as charted are designed to withstand dead loads and predicted dynamic loads developed by variable wind speeds with an additional 30% gust factor under the following conditions:

The charted weights include luminaire(s) and/or mounting bracket(s).

The wind velocities are based on 10 mph increments from 80 mph through 130 mph. Poles to be located in areas of known abnormal conditions may require special consideration. For example: coastal areas, airports and areas of special winds.

Poles are designed for ground mounted applications. Poles mounted on structures (such as buildings and bridges) may also necessitate special consideration requiring Gardco's recommendation.

Height correction factors and drag coefficients are applied to the entire structure. An appropriate safety factor is maintained based on the minimum yield strength of the material incorporated in the pole.

WARNING

This design information is intended as a general guideline only. The customer is solely responsible for proper selection

of pole, luminaire, accessory and foundation under the given site conditions and intended usage. The addition of any items to the pole, in addition to the luminaire, will dramatically impact the EPA load on that pole. It is strongly recommended that a qualified professional be consulted to analyze the loads given the user's specific needs to ensure proper selection of the pole, luminaire, accessories, and foundation. Gardco assumes no responsibility for such proper analysis or product selections. Failure to insure proper site analysis, pole selection, loads and installation can result in pole failure, leading to serious injury or property damage.

GENERAL INFORMATION

Mounting height is the vertical distance from the base of the lighting pole to the center of the luminaire arm at the point of luminaire attachment.

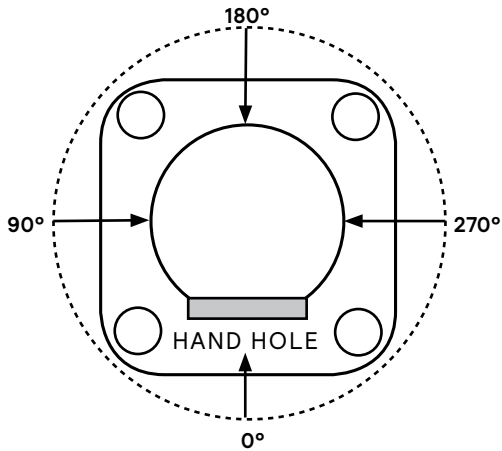
WARRANTY

Gardco poles feature a 1 year limited warranty. See Warranty Information on www.signify.com/warranties for complete details and exclusions.

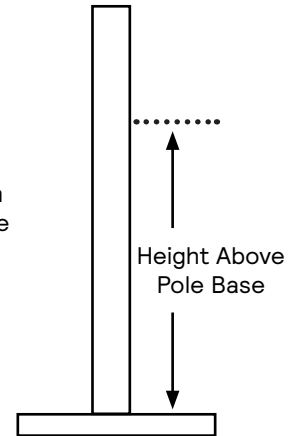
Poles Tapered Round Steel

Orientation Information

Factory installed options and accessories



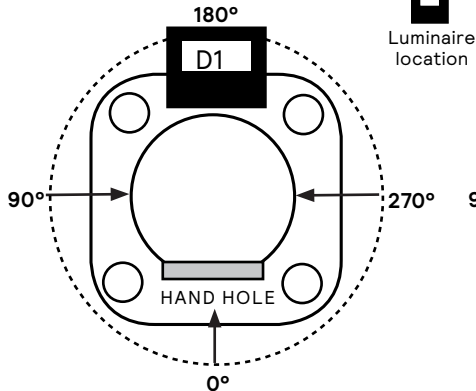
For Factory Installed Options and Accessories, Specify Orientation from Hand Hole and Height Above Pole Base Where Required.



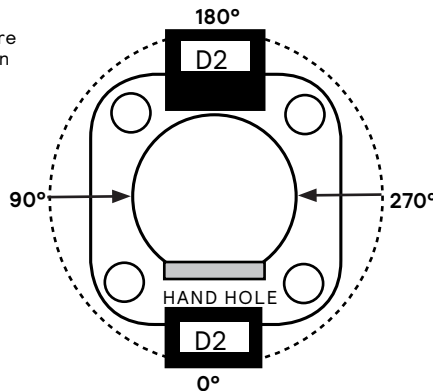
Orientation is measured clockwise from the Hand Hole Center.

Standard arm mount luminaire orientation

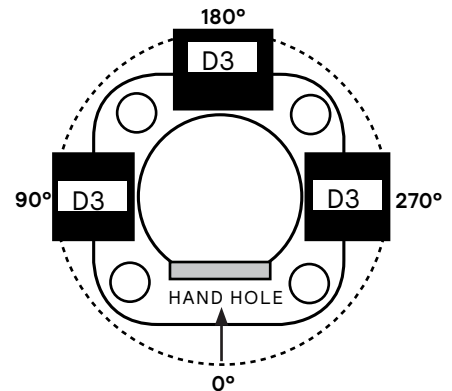
D1 Drilled for Single Luminaire



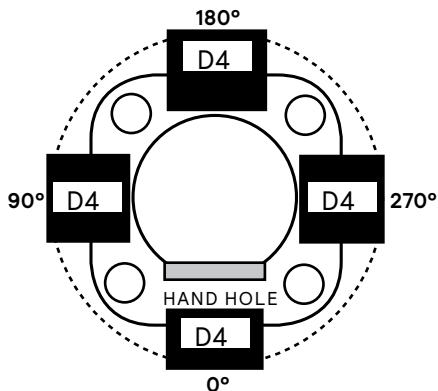
D2 Drilled for 2 Luminaires at 180°



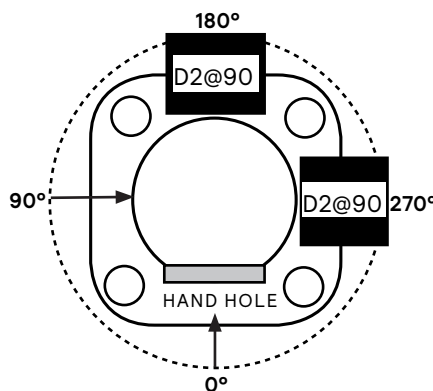
D3 Drilled for 3 Luminaires @ 90°



D4 Drilled for 4 Luminaires at 90°



D2@90 Drilled for 2 Luminaires at 90°



D3@120 Drilled for 3 Luminaires at 120°

