

# INSTALLATION INSTRUCTIONS

## FOR WS (WALLMOUNT, SURFACE CONDUIT) OPTION, 161 SCNCE

**IMPORTANT:** READ ALL INSTRUCTIONS BEFORE PERFORMING ANY WORK. BE SURE ALL POWER IS OFF PRIOR TO INSTALLING LUMINAIRES.

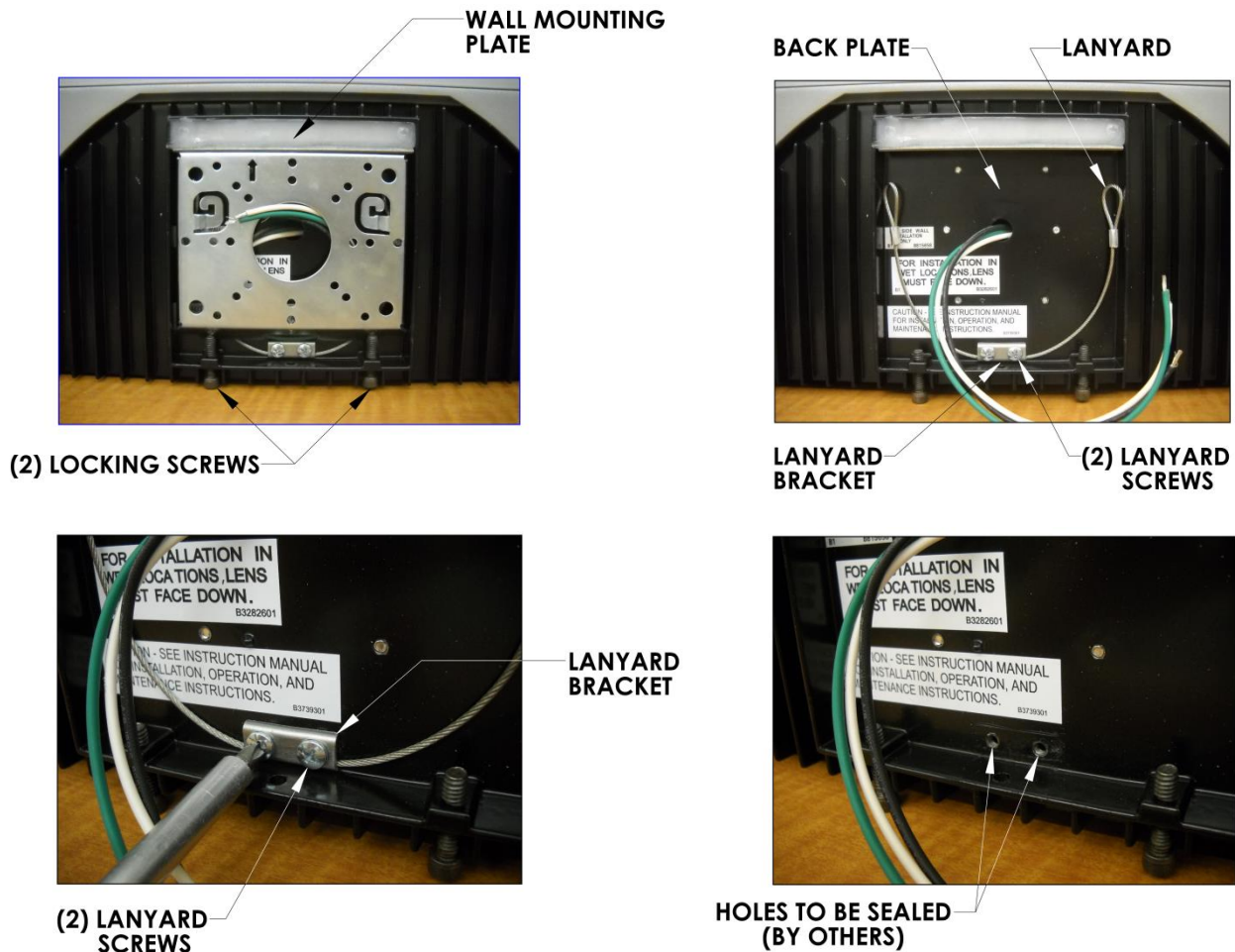
**WARNING:** LUMINAIRE MUST BE GROUNDED IN ACCORDANCE WITH APPROPRIATE CODES. FAILURE TO DO SO MAY RESULT IN SERIOUS INJURY.

### **IMPORTANT !!!**

**MUST** remove LANYARD ASSEMBLY to correctly install luminaire to SURFACE MOUNT CONDUIT BOX:

1. Loosen (2) locking screws and remove WALL MOUNTING PLATE from back of luminaire. Discard WALL MOUNTING PLATE.
2. Remove (2) LANYARD SCREWS holding BRACKET and LANYARD in place. Discard screws, BRACKET, LANYARD.
3. HOLES for LANYARD BRACKET SCREWS must be sealed with sealant (by others).

## **BACK OF LUMINAIRE**



© 2018 Signify Holding. All rights reserved. This document contains information relating to the product portfolio of Signify which information may be subject to change. No representation or warranty as to the accuracy or completeness of the information included herein is given and any liability for any action in reliance thereon is disclaimed. The information presented in this document is not intended as any commercial offer and does not form part of any quotation or contract. All trademarks are owned by Signify Holding or their respective owners.

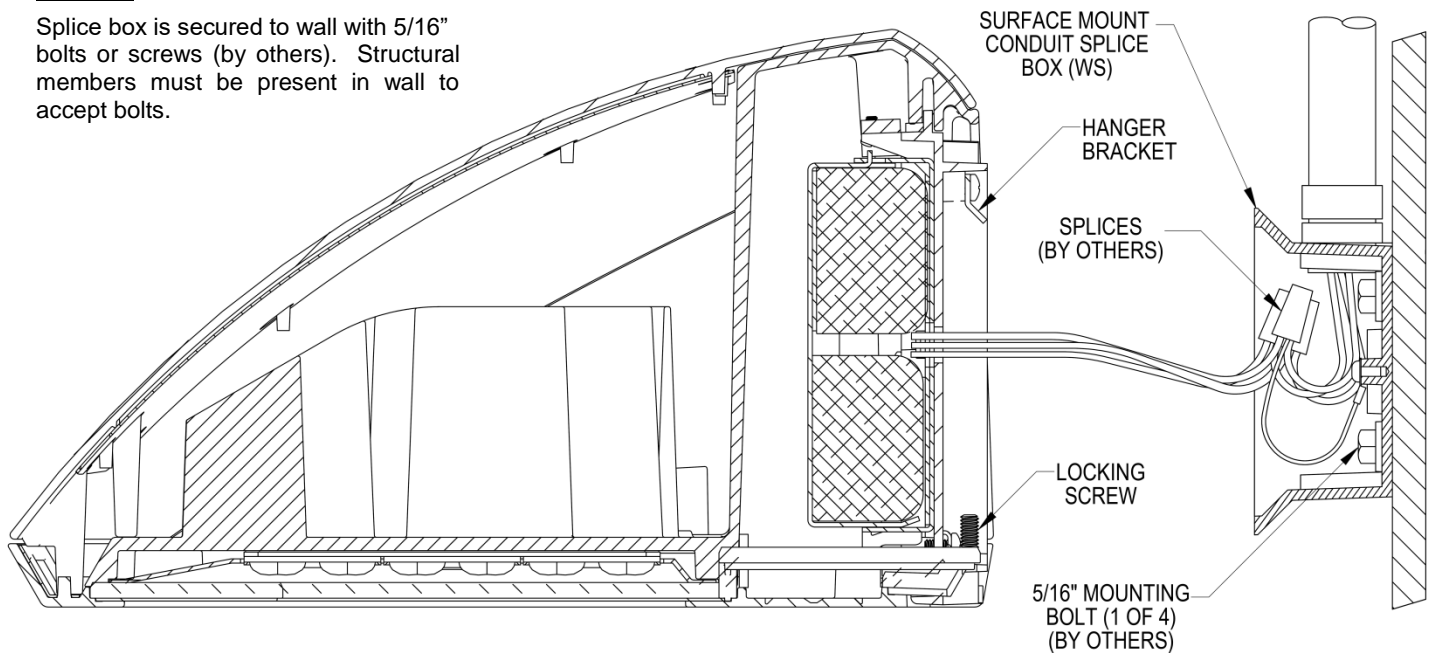
**GARDCO**  
by @ignify

# INSTALLATION INSTRUCTIONS

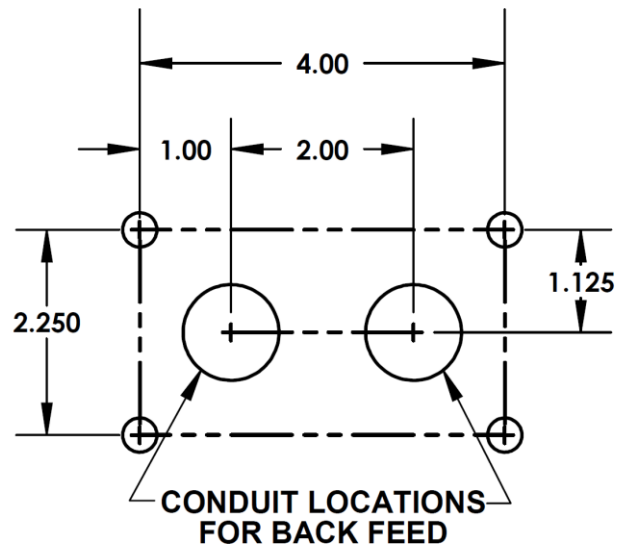
## FOR WS (WALLMOUNT, SURFACE CONDUIT) OPTION, 161 SCONCE

### NOTE:

Splice box is secured to wall with 5/16" bolts or screws (by others). Structural members must be present in wall to accept bolts.



1. Determine which hub(s) in surface mount splice box are to be used in this installation. Install and seal electrical fitting(s) in hub(s). Install and seal plug(s) in unused hub(s). Apply sealant to the two unused holes in the top angled wall of the splice box. Install conduit section(s) into fittings as required.
2. Determine mounting location of splice box. Apply a bead of sealant around each mounting hole on the outside of the box. For installations where conduit enters through the back of the splice box, apply a bead of sealant on the outside of the box around the conduit hole used. Secure box to wall with 5/16" bolts (by others) making sure box is level.
3. Complete conduit installation and route supply wires into splice box.



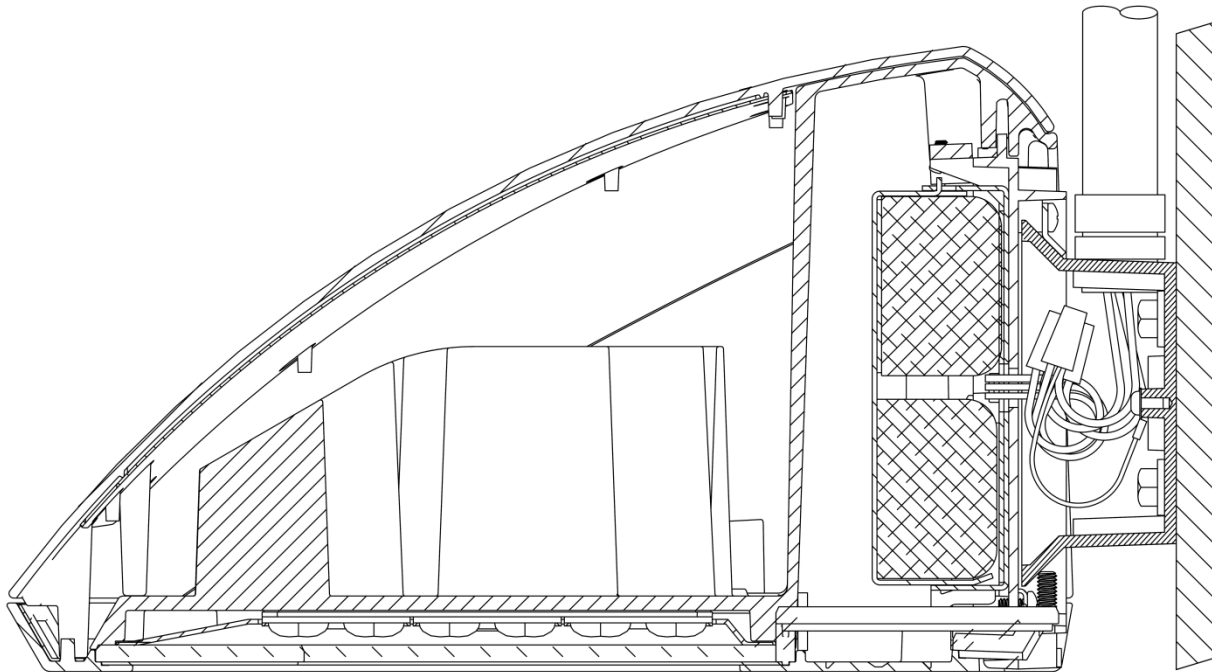
**MOUNTING BOLT PATTERN**

(cont. p. 3 of 3)

# INSTALLATION INSTRUCTIONS

## FOR WS (WALLMOUNT, SURFACE CONDUIT) OPTION, 161 SCNCE

4. Make electrical connections. Luminaire line to supply line, common to common, and ground to ground, including splice box ground.
5. Place splices and excess wire in splice box. Carefully engage hanger bracket to splice box being careful not to pinch wires. Allow luminaire to rest against box. Tighten locking screws.



**FIXTURE INSTALLED  
ON WS OPTION**