

INSTALLATION INSTRUCTIONS

161 SCONCE

Signify North America Corporation
200 Franklin Square Drive
Somerset N.J. 08873, USA

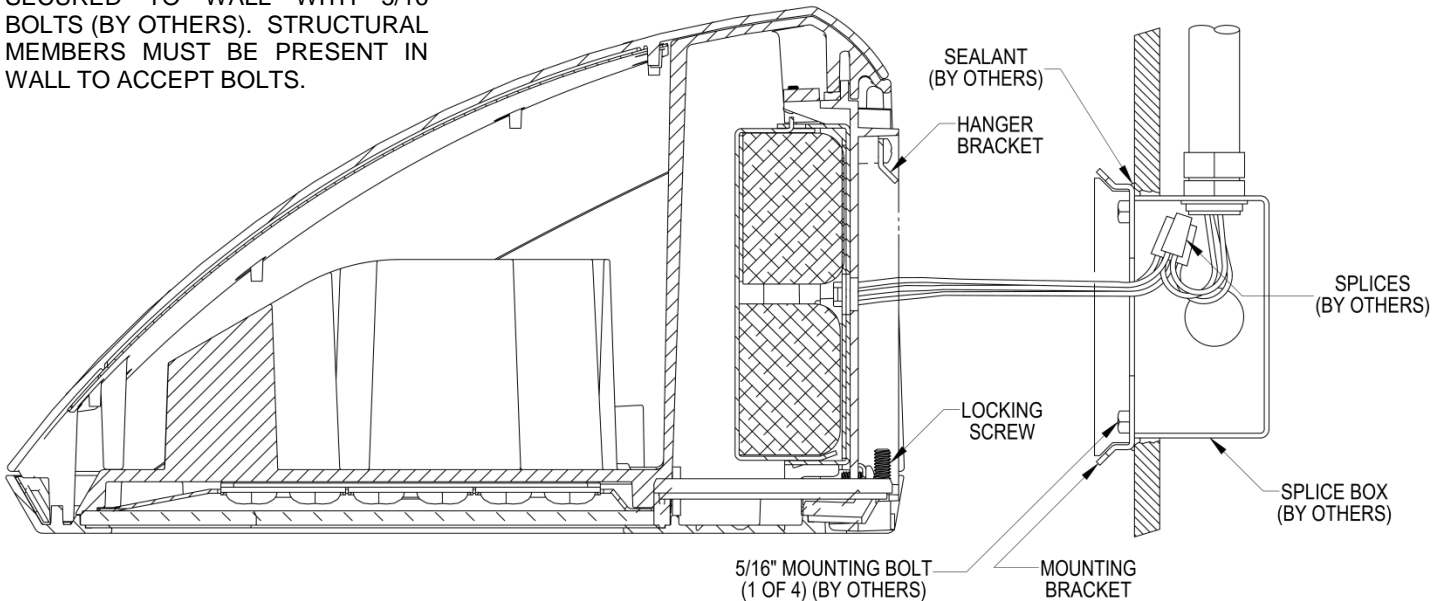
Signify Canada Ltd./Signify Canada Ltée.
281 Hillmount Road,
Markham, ON, Canada L6C 2S3

IMPORTANT: READ ALL INSTRUCTIONS BEFORE PERFORMING ANY WORK. BE SURE ALL POWER IS OFF PRIOR TO INSTALLING LUMINAIRES.

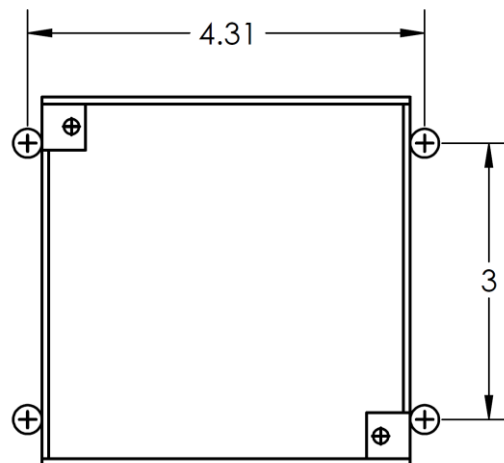
WARNING: FIXTURE MUST BE GROUNDED IN ACCORDANCE WITH APPROPRIATE CODES. FAILURE TO DO SO MAY RESULT IN SERIOUS INJURY.

STANDARD INSTALLATION

NOTE: MOUNTING BRACKET IS SECURED TO WALL WITH 5/16 BOLTS (BY OTHERS). STRUCTURAL MEMBERS MUST BE PRESENT IN WALL TO ACCEPT BOLTS.



1. APPLY A BEAD OF SEALANT ON WALL AROUND SPLICE BOX OPENING AND AROUND MOUNTING HOLES. WHEN USING A FOUR INCH SQUARE BOX (SHOWN), FILL GAP BETWEEN WALL OPENING AND SPLICE BOX WITH SEALANT. APPLY SEALANT TO THE TOP INSIDE CORNERS OF THE MOUNTING BRACKET AND TO THE THREE UNUSED HOLES IN THE TOP ANGLED FLAP OF THIS BRACKET.
2. PLACE MOUNTING BRACKET OVER SPLICE BOX AND SECURE TO WALL WITH 5/16 BOLTS (BY OTHERS). NOTE: SPLICE BOX SCREWS MAY BE USED TO HOLD THE MOUNTING BRACKET IN PLACE WHILE THE BOLTS ARE BEING INSTALLED.
3. MAKE ELECTRICAL CONNECTIONS. FIXTURE LINE TO SUPPLY LINE, COMMON TO COMMON AND GROUND TO GROUND.
4. PLACE SPLICES AND EXCESS WIRE IN SPLICE BOX. CAREFULLY ENGAGE HANGER BRACKET TO MOUNTING BRACKET BEING CAREFUL NOT TO PINCH WIRES. ALLOW FIXTURE TO REST AGAINST WALL. TIGHTEN LOCKING SCREWS.



MOUNTING BOLT PATTERN