

**ADVENT LYESPAN "L" CONNECTOR (PRE-WIRED)
FOR USE WITH ADVENT LYESPAN® TRACK SYSTEMS ONLY**
**NOTE: FOR USE ONLY WITH NEW ADVENT TRACK, DESIGNATED BY
AN ITEM NUMBER FOLLOWED BY "WH" OR "BK".**

INSTRUCTION SHEET NO.
IS:6150
0291

READ AND UNDERSTAND THESE INSTRUCTIONS BEFORE PROCEEDING.

This fixture is intended for installation in accordance with the National Electrical Code and local regulations. To assure full compliance with local codes and regulations, check with your local electrical inspector before installation. To prevent electrical shock, turn off electricity at fuse box before proceeding.

Retain these instructions for maintenance reference.

The "L" CONNECTOR is used to make right angle turns with Surface Mounted or Stem Mounted Advent Lytespan Track and is pre-wired for power continuity. The "L" CONNECTOR has a swivel feature to allow for left or right turns. (See instruction A). Power can be fed into the "L" CONNECTOR. (See instruction B).

CAUTION:

- **TURN OFF POWER AT FUSE BOX BEFORE INSTALLING TRACK.**
- **INSTRUCTIONS FOR GROUNDING PER INSTRUCTION SHEET OF THE FEED-IN KIT MUST BE FOLLOWED. FAILURE TO DO SO MAY RESULT IN A HAZARDOUS CONDITION.**
- **USE ONLY #12 GA. SOLID COPPER WIRE IN CONNECTORS TO MAINTAIN PROPER RATING OF TRACK.**
- **OBSERVE POLARITY, WHITE (NEUTRAL) WIRE MUST BE ATTACHED TO WHITE TERMINAL, IN CONNECTOR. FAILURE TO OBSERVE POLARITY MAY RESULT IN POTENTIAL ELECTRICAL HAZARD.**

A. INSTALLATION AND POWER CONTINUITY

1. To maintain polarity the BEAD on the TRACK UNITS must be either on the inside of the bend or on the outside of the bend (Fig. 1).
2. The POLARITY KEYS on the "L" CONNECTOR must be opposite the BEAD in the TRACK UNITS for proper installation. If the POLARITY KEYS are not oriented correctly the "L" CONNECTOR must be adjusted as follows:
 - a. Remove BOTTOM COVER and loosen NUT.
 - b. Carefully rotate the LEG ASSEMBLIES. Form wires, with fingers, to change direction while rotating.
 - c. Secure in new position by tightening the NUT (Fig. 2).
3. Remove LIVE END, COUPLER (loosen screw) or DEAD END COVER from end of TRACK UNITS to be attached to "L" CONNECTOR.
4. Insert "L" CONNECTOR into TRACK UNITS, tighten LOCKING SCREWS (Fig. 1) and fasten the BOTTOM COVER (Fig. 2).

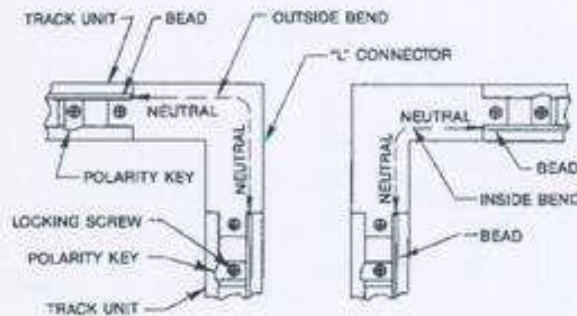


FIG. 1

B. POWER FEED TO "L" CONNECTOR

1. Invisible power feed with conduit terminating with an electrical connector with a 1/8"-14 thread. (Fig. 3) (See instruction E. on Instruction Sheet IS:6121, supplied with track)
2. For power feed with END FEED CANOPY MOUNTING KIT or GRID CEILING CANOPY KIT
 - a. Remove BOTTOM COVER of "L" CONNECTOR and pop out HOLE PLUG (Fig. 2). Follow instructions in CANOPY KIT for power feed to LIVE END.
3. Power can also be fed to the "L" CONNECTOR with:
 - FLOATING CANOPY MOUNTING KIT
 - FLOATING CANOPY KIT WITH STAND OF CLIPS
 - FLOATING INVISIBLE FEED MOUNTING KIT
 - STEM MOUNTING KITS
 Follow instructions for power feed to LIVE END in instruction sheet provided with feed-in kit.

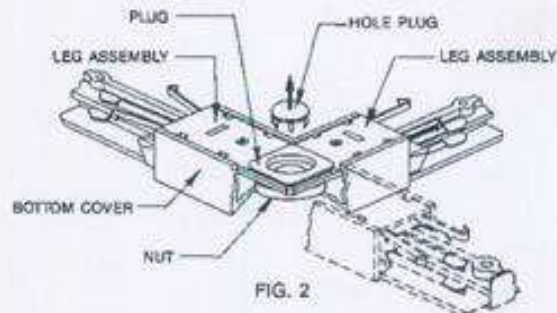


FIG. 2

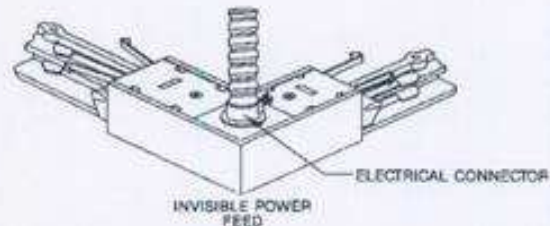


FIG. 3